

# TB-AVAC TB-CHRG

## “TILT ‘N SELECT” TABLE BOXES



# FSR

## Metal Products Group

TB-AVAC / TB-CHRG



**TB-AVAC**



**TB-CHRG**

### DESCRIPTION

The TB-AVAC and TB-CHRG serve the needs of a single user at a desk, workstation, huddle area, common area or even multiple locations within a boardroom table. The tilt-up design provides a clean and attractive appearance when the cover is closed, while providing access to the most needed connections when the cover is open. In the open position, the connectors will be at approximately a 35° angle from vertical. This is to accommodate a seated person at the table, with the box being 22” from the edge of the table.

The TB-AVAC table box is designed for AV/IT applications. The box has one integrated UL-Rated AC receptacle and ships with two different connector plates. The first plate is pre-punched to accept two panel-mount HDMI or DisplayPort connectors as well as two keystone connectors. The second plate is pre-punched to accept one panel-mount HDMI or DisplayPort connector, one HD-15 connector and two keystone connectors. Our full line of Simple Solutions (SS) keystone snap-in connectors as well as panel mount HDMI & DisplayPort cables (dongles) can be ordered with the TB-AVAC.

The TB-CHRG has a built in AC Duplex Receptacle with 2 integrated USB Chargers. The UL-Listed 15 Amp, 125 Volt AC duplex receptacle has a 3.8 Amp charging section with two USB type 2.0 charging ports (5 Volt DC each).

### APPLICATIONS

- Office Desks
- Workstation
- Hotel and Hospitality Common Spaces
- Boardrooms
- Classrooms
- Conference Centers
- Court Rooms
- Huddle Areas
- Lab Tables
- Control Consoles

### FEATURES

- Can be mounted in a wide variety of tables with thicknesses ranging from .75” to 2.25”
- Connector plates can be populated to match the specific application and customer needs
- Both models are ETL listed for furniture installation
- 9’ power cord with a standard 3 prong Edison plug
- TB-AVAC keystone openings can use FSR’s SS-USB-CHRG snap-in USB Chargers
- Can be reconfigured at any time
- Available in Black Anodized finish
- Two Keystone blanks and one 3.5mm cable mount Keystone included with TB-AVAC model

### OTHER MODELS

The TB-IPS is a tilt top style box that can be easily custom configured for any job. The unit has openings for up to (8) single IPS insert plates or a variety of multiple plate arrangements.

The new TB-BOSE and TB-BOSE-IPS table boxes are tilt top style table boxes designed specifically to contain a Bose™ FreeSpace 3 Surface-Mount Satellite Cube Speaker. (Speaker provided by customer.)

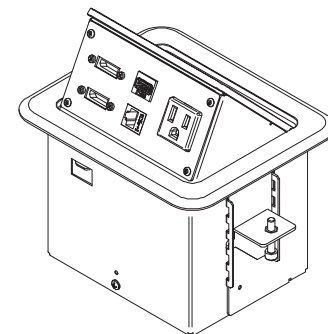
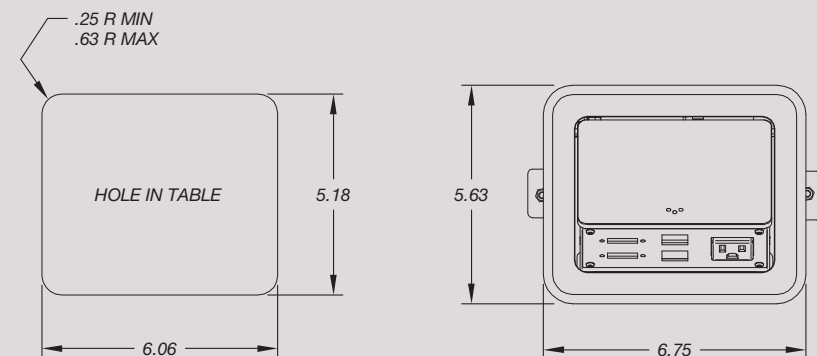


**FSR Inc.**

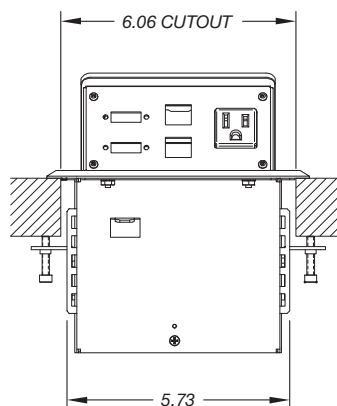
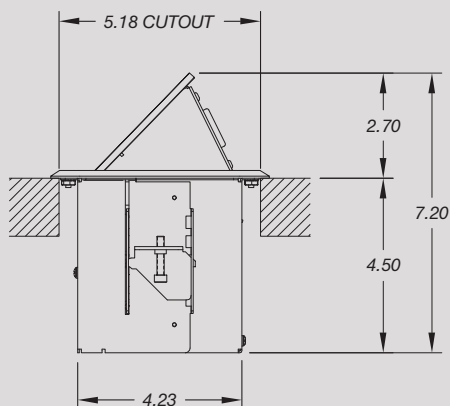
244 Bergen Boulevard, Woodland Park, NJ 07424  
Phone: 973.785.4347 · Fax: 973.785.4207  
Web: www.fsrinc.com · E-mail: sales@fsrinc.com LIT1560B

# OVERALL DIMENSIONS

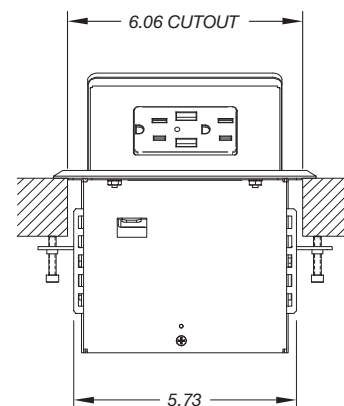
SHADED AREA INDICATES DIMENSIONS COMMON TO BOTH MODELS



TB-AVAC SHOWN WITH OPTIONAL CONNECTORS



TB-AVAC



TB-CHRG

## SIMPLE SOLUTIONS CONNECTORS AVAILABLE FOR THE TB-AVAC

- |  |   |   |   |  |  |  |  |  |  |   |
|--|---|---|---|--|--|--|--|--|--|---|
| <br><b>SS-RJ45</b><br>CAT 5 to<br>Punch-Down | <br><b>SS-SCAT6A</b><br>Shielded CAT 6A<br>Punch-Down | <br><b>SS-RJCAT6</b><br>CAT 6 to<br>Punch-Down  | <br><b>SS-RJ11</b><br>RJ11 to<br>Punch-Down<br>(Black Only) | <br><b>SS-LC</b><br>Fiber LC<br>Bulkhead (Black) | <br><b>SS-HDMI</b><br>HDMI Bulkhead<br>(White and Black<br>Only) | <br><b>SS-BNC</b><br>BNC Bulkhead<br>(White and Black<br>Only) | <br><b>SS-SCON</b><br>S-Video<br>Connector<br>Bulkhead         | <br><b>SS-FCON</b><br>F Connector<br>Bulkhead        | <br><b>SS-RCA-R</b><br>Red RCA<br>Bulkhead                     |   |
| <br><b>SS-RCA-B</b><br>Black RCA<br>Bulkhead | <br><b>SS-RCA-Y</b><br>Yellow RCA<br>Bulkhead         | <br><b>SS-MINI</b><br>3.5mm Stereo<br>to Solder | <br><b>SS-SWMOM</b><br>Momentary<br>Switch                  | <br><b>SS-SWMAIN</b><br>Maintained<br>Switch     | <br><b>SS-CBLNK</b><br>Blank Insert                              | <br><b>SS-USB</b><br>USB A Bulkhead<br>(Black Only)            | <br><b>SS-USBAHW</b><br>USB A to<br>Punch-Down<br>(Black Only) | <br><b>SS-USBB</b><br>USB B Bulkhead<br>(Black Only) | <br><b>SS-USBBHW</b><br>USB B to<br>Punch-Down<br>(Black Only) | <br><b>SS-USB-CHRG</b><br>USB Universal 10W<br>Charging Port<br>(black only) with<br>Power Supply |

Panel mount cables (Dongles) available from FSR:

Part Number	Description
26967	6' Female HDMI Chassis Mount to Male Cable
26968	6' Female HD-15 Chassis Mount to Male Cable
26969	6' Female DisplayPort Chassis Mount to Male Cable
26932	6' 3.5mm Audio Female to Male Cable / Keystone mount provided with TB-AVAC

Specifications are subject to change without notice.



244 Bergen Boulevard, Woodland Park, NJ 07424  
 Phone: 973.785.4347 · Fax: 973.785.4207  
 Web: www.fsrinc.com · E-mail: sales@fsrinc.com