



Middle Atlantic Products

EXCEPTIONAL SUPPORT & PROTECTION™

LeverLock™ Series

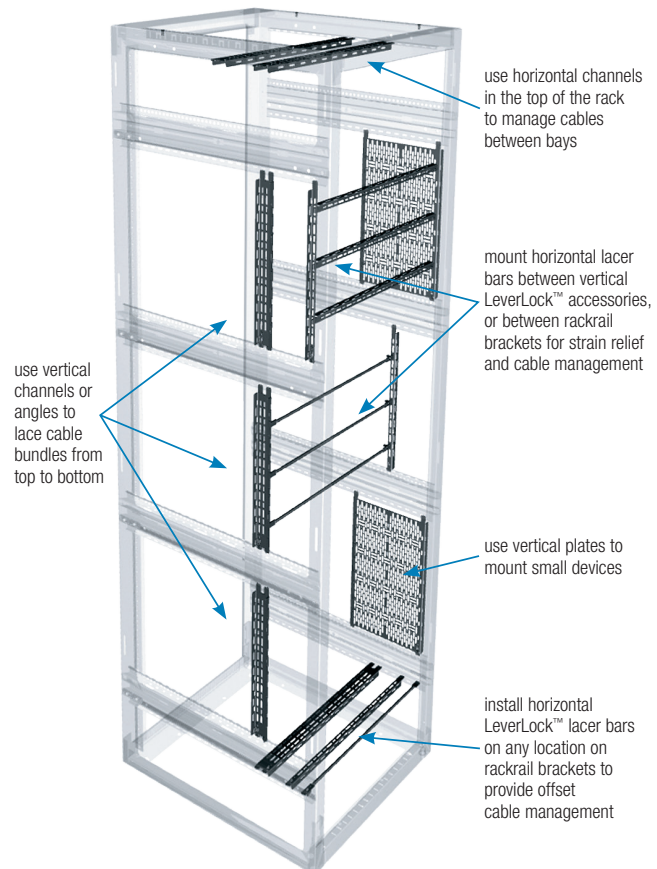


PATENT PENDING

LeverLock™ Tool Free Internal Management System

Features

- Facilitates cable management and device mounting within the rack interior
- Tool free installation
- Allows for quick installation and removal for servicing
- Maximizes space by saving between 2 and 4 rackspace per rack
- Vertical and horizontal styles available
- Channel, plate, angle and round-bar styles available
- Compatible with:
 - BGR Series
 - BGR-SA Series
 - RFR Series
 - DTRK series



Architects' and Engineers' Specifications

Leverlock™ patent pending tool-free internal management system shall be model LL-___ (refer to chart). LeverLock shall have tool-free mounting. LeverLock shall be available in channel, plate, angle or round-bar styles, refer to chart. LeverLock shall be compatible with ___ (BGR, BGR-SA, RFR, DTRK, refer to chart) series enclosures. LeverLock shall require mounting adapter LL- (RFR and DTRK only, refer to chart). LeverLock shall be ___ H x ___ W x ___ D (refer to chart). LeverLock shall have a series of slots configured in a universal mounting pattern. LeverLock shall be GREENGUARD Indoor Air Quality Certified for Children and Schools. LeverLock shall be RoHS EU Directive 2002/95/EC compliant. LeverLock shall be manufactured by an ISO 9001 and ISO 14001 registered company. LeverLock shall be warranted to be free from defects in material or workmanship under normal use and conditions for the lifetime of the product.

ACCESSORIES

- Adapter for use in RFR Series enclosure shall be LL-RFR
- Adapter for use in DTRK Series, 10-18 space, shall be LL-DTRK

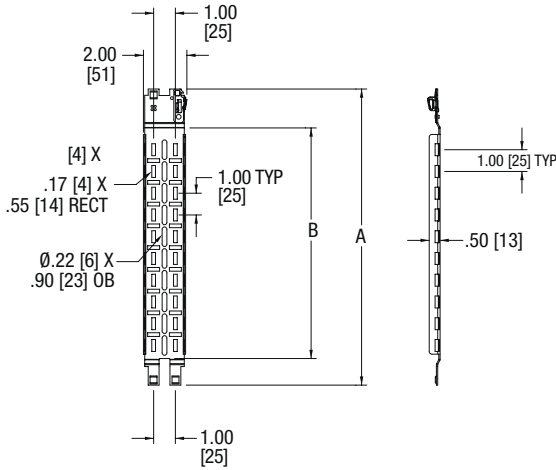
CUSTOMIZABLE SPECIFICATION CLIPS AVAILABLE AT MIDDLEATLANTIC.COM

LeverLock™ Vertical basic dimensions

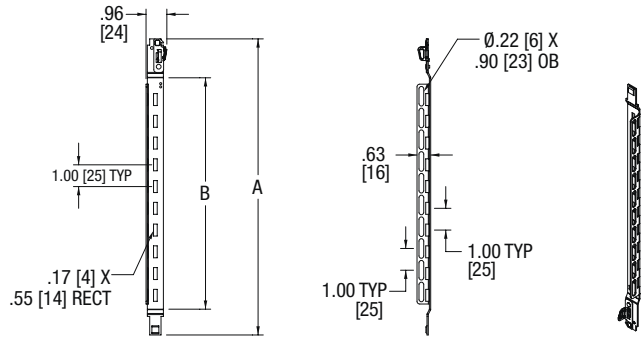
All dimensions in inches unless otherwise noted [All dimensions in brackets are in millimeters]



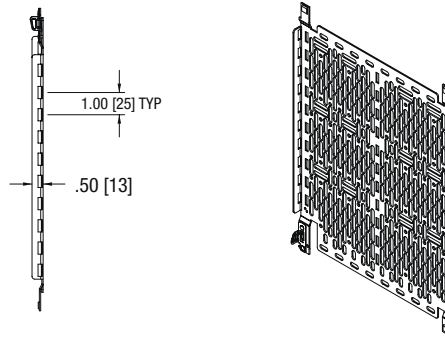
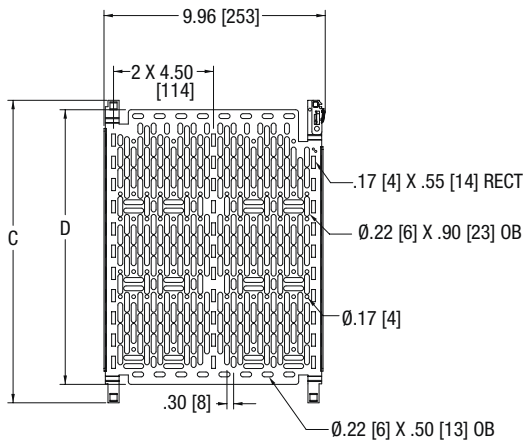
VERTICAL CHANNEL OPTIONS MODEL NUMBERS LL-VC17 & LL-VC21



VERTICAL ANGLE OPTIONS MODEL NUMBERS LL-VA17 & LL-VA21



VERTICAL 10" DEEP PLATE OPTIONS MODEL NUMBERS LL-VP1710 & LL-VP2110



Part#	"A" Overall Length	"A" Useable Length
LL-VC17	13.61 [346]	10.64 [270]
LL-VC21	17.11 [435]	14.10 [358]
LL-VA17	13.61 [346]	10.64 [270]
LL-VA21	17.11 [435]	14.10 [358]

Part#	"C" Overall Length	"D" Useable Length
LL-VP1710	13.61 [346]	12.36 [314]
LL-VP2110	17.11 [435]	15.86 [403]

Vertical LeverLock™ Usage Table

Part#	LL-VP1710	LL-VP2110	LL-VA17	LL-VA21	LL-VC17	LL-VC21
BGR Series, 19 & 41 space	X		X		X	
BGR Series, 25, 38 & 45 space		X		X		X
RFR Series*	X		X		X	
DTRK Series, 10-18 space**				X		X

*Requires LL-RFR Adaptor

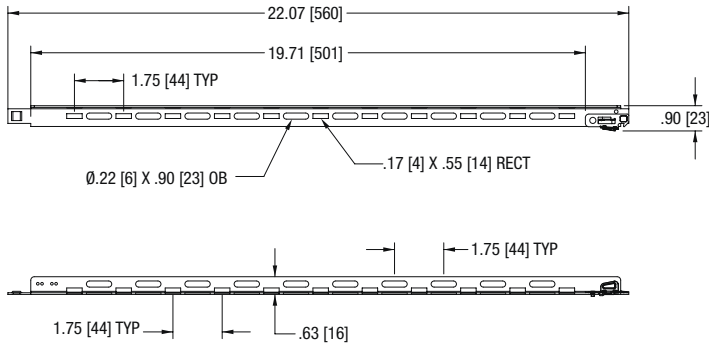
**Requires LL-DTRK Adaptor

LeverLock™ Horizontal basic dimensions

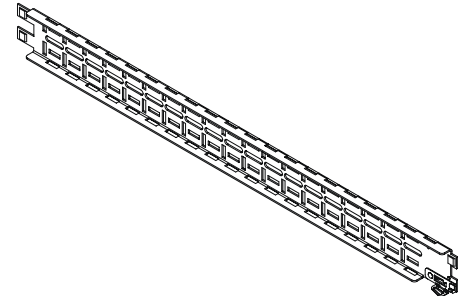
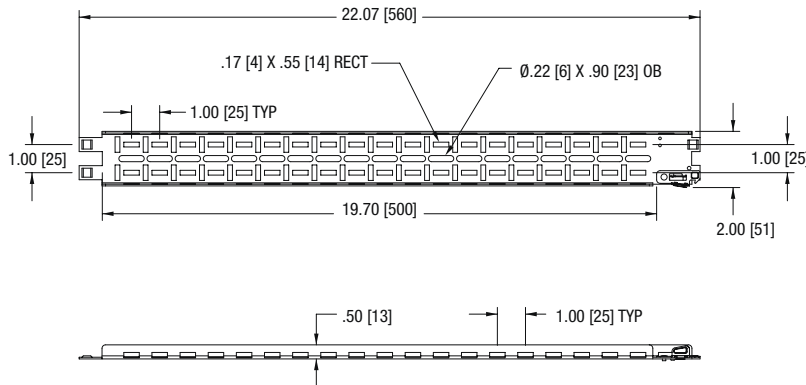
All dimensions in inches unless otherwise noted [All dimensions in brackets are in millimeters]



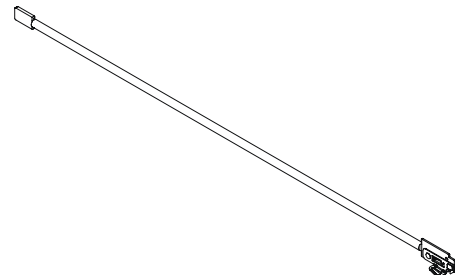
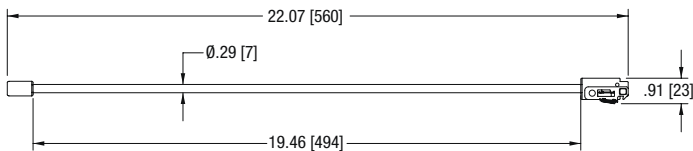
HORIZONTAL ANGLE OPTION MODEL NUMBER LL-HA21



HORIZONTAL CHANNEL OPTION MODEL NUMBER LL-HC21



HORIZONTAL ROUND OPTION MODEL NUMBER LL-HR21



NOTES:

- 1) HORIZONTAL OPTIONS ONLY MOUNT TO BGR SERIES ENCLOSURES, ALL SIZES
- 2) CAN BE MOUNTED BETWEEN RACKRAIL BRACKETS OR VERTICAL LEVERLOCK ACCESSORIES