

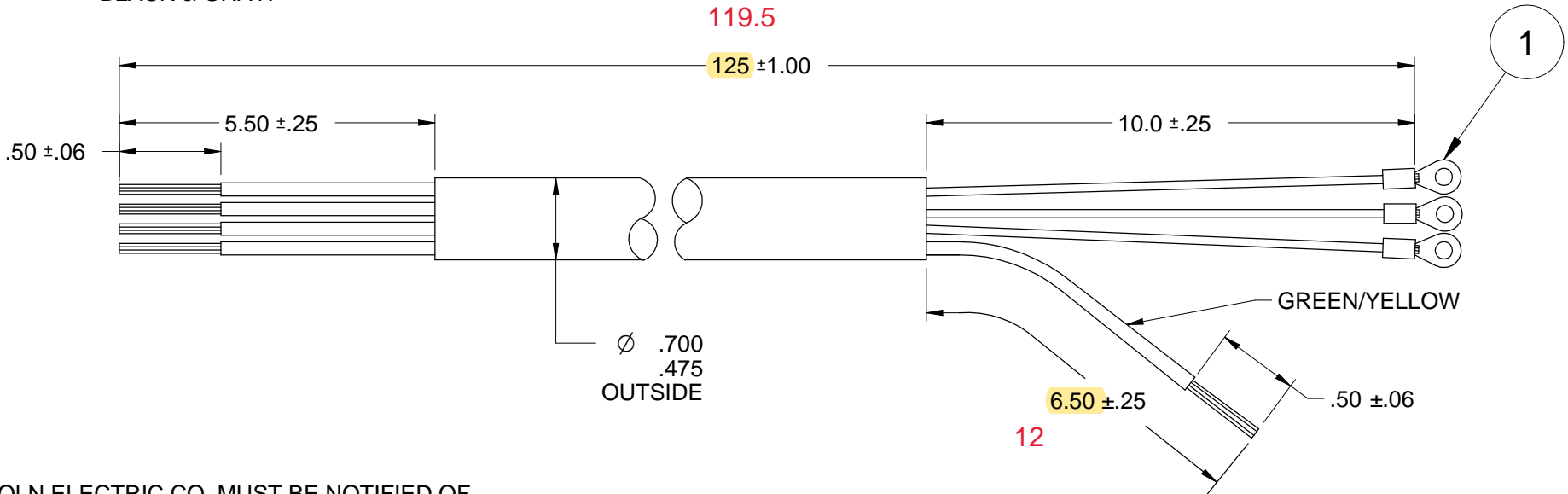
S24992-16

ENGINEERING CONTROLLED
MANUFACTURER: Yes

CHANGE DETAIL: (A.01) - "NEW".

CORDAGE TYPE: H07 RN-F 4 G 6
CURRENT/VOLTAGE RATING: 68A/600V AC.
CONDUCTORS: 6mm²
84 STRANDS/CONDUCTOR (28 GA STRANDS)
JACKET COLOR TO BE BLACK
LEAD COLORS: GREEN / YELLOW, BROWN,
BLACK & GRAY.

ITEM	DESCRIPTION	QTY
1	INSULATED RING TERMINAL FOR 1/4" STUD	3



THE LINCOLN ELECTRIC CO. MUST BE NOTIFIED OF ANY DESIGN CHANGES WHICH WOULD AFFECT THE PERFORMANCE OF LINCOLN ELECTRIC CO. INSTALLATION. IN THE EVENT OF ANY REVISIONS, THE VENDOR IS TO OBTAIN WRITTEN APPROVAL FROM THE LINCOLN ELECTRIC CO. PRIOR TO SHIPMENT.

PREPARE LEAD ENDS AS SHOWN OR NOTED.

THE OPERATIONS OF CRIMPING AND/OR INSULATION STRIPPING MUST NOT SEVER MORE THAN A TOTAL OF 7.5% OF THE WIRE STRANDS.

FAILURE TO COMPLY MAY BECOME GROUNDS FOR REJECTION OF THE SHIPMENT.

THIS PART MUST BE RoHS COMPLIANT PER E4253.

PROPRIETARY & CONFIDENTIAL. THIS DOCUMENT CONTAINS PROPRIETARY INFORMATION OWNED BY LINCOLN GLOBAL, INC. AND MAY NOT BE DUPLICATED, COMMUNICATED TO OTHER PARTIES OR USED FOR ANY PURPOSE WITHOUT THE EXPRESS WRITTEN PERMISSION OF LINCOLN GLOBAL, INC.

<small>MANUFACTURING TOLERANCE PER E2056 UNLESS OTHERWISE SPECIFIED TOLERANCE: ON 2 PLACE DECIMALS IS ± .02 in. (± 0.5 mm) ON 3 PLACE DECIMALS IS ± .002 in. (± 0.05 mm) ON ALL ANGLES IS ± .5 OF A DEGREE MATERIAL TOLERANCE ("t") TO AGREE WITH PUBLISHED STANDARDS.</small>	CONTROL: CLEVELAND	SCALE: NONE	EQUIPMENT TYPE: FLEXTec 350XP CE - ECO		PAGE 1 OF 1	
	DRAWN BY: L. SWENEY	IF PRINTED @ A4 SIZE	SUBJECT: INPUT LEAD ASSEMBLY		DOCUMENT NUMBER: S24992-16	DOCUMENT REVISION: A.01
ENGINEER: W. WILDER	UNITS: INCH	MATERIAL DISPOSITION: NA	APPROVAL DATE: 7/5/2022	PROJECT NUMBER: 5089580-A	REFERENCE: S24992-10	
DO NOT SCALE THIS DRAWING	APPROVEDS. HERRINGTON					

SOLID EDGE