

REV	DESCRIPTION	DATE	APPROVED
J	SCR-00000710	04-05-20	RC RFC

CAD MAINTAINED. CHANGES SHALL BE INCORPORATED BY THE DESIGN ACTIVITY

Handwritten: 20114447
9/9 Lisa - Boston

- 1. NOTES**
- 1.1 SUGGESTED SOURCE(S) OF SUPPLY: SEE TABLE
 - 1.1.1 IDENTIFICATION OF THE "SUGGESTED SOURCE(S) OF SUPPLY" HEREON IS NOT TO BE CONSIDERED AS A GUARANTEE OF PRESENT OR CONTINUED AVAILABILITY AS A SOURCE OF SUPPLY FOR THE ITEM(S).
 - 1.2 FOR LOCKHEED MARTIN ONLY
 - 1.2.1 PURCHASE ONLY FROM AN APPROVED VENDOR
 - 1.2.2 WEIGHT: 3.2 LBS PER 100 FEET ESTIMATED
 - 1.3 PART 1 INACTIVE FOR NEW DESIGN-FOR-SIMILAR PART SEE M17/130 REQUIREMENTS
 - 2. ELECTRICAL REQUIREMENTS
 - 2.1.1 IMPEDANCE: 50.0 ±1.0 OHMS
 - 2.1.2 WORKING VOLTAGE: 1900 VOLTS RMS, 60 HERTZ
 - 2.1.3 TEST VOLTAGE: 5000 VOLTS RMS, 60 HERTZ
 - 2.1.4 MAXIMUM ATTENUATION IN DB PER 100 FEET: 8.2 AT 5 GIGAHERTZ; 11.8 AT 1 GIGAHERTZ; 29.5 AT 5 GIGAHERTZ; 45 AT 10 GIGAHERTZ.
 - 2.2 MECHANICAL REQUIREMENTS
 - 2.2.1 MATERIALS AND FINISHES
 - 2.2.1.1 OUTER CONDUCTOR: COPPER, TIN-PLATED TO WITHSTAND REQUIREMENT
 - 2.2.1.2 DIELECTRIC: POLYTETRAFLUOROETHYLENE
 - 2.2.1.3 CENTER CONDUCTOR: SILVER PLATED COPPER COVERED STEEL, SOLID WIRE.
 - 2.2.1.4 JACKET: FLUORINATED ETHYLENE PROPYLENE (FEP), COLOR BLACK, SEE FIGURE 2.
 - 2.2.2 MINIMUM BEND RADIUS: .250
 - 2.2.3 PACKAGING: UNLESS OTHERWISE STATED ON PROCUREMENT DOCUMENT, CABLE SHALL BE SHIPPED IN COILS 12.00 TO 24.00 INCH IN DIAMETER.
 - 2.3 OPERATING CONDITIONS. PARTS SHALL BE CAPABLE OF MEETING ALL REQUIREMENTS OVER OPERATING CONDITIONS.
 - 2.3.1 AMBIENT TEMPERATURE: -57 TO +65 DEGREES C OPERATING.
 - 2.3.2 RELATIVE HUMIDITY: UP TO 95 PERCENT INCLUDING CONDENSATION.
 - 2.3.3 ALTITUDE: 15,000 FEET OPERATING, 40,000 FEET NON-OPERATING.
 - 2.4 NON-OPERATING CONDITIONS: PARTS SHALL BE CAPABLE OF MEETING THE ENVIRONMENTAL AND PHYSICAL TESTS AND, EXCEPT FOR SALT SPRAY, REMAIN WITHIN ALL REQUIREMENTS OF THIS DRAWING THEREAFTER.

SPECIFICATION CONTROL DRAWING

PREPARED IN ACCORDANCE WITH MIL-STD-100A

	J	J	REV
	2	1	SH
			OF SHEETS

UNLESS OTHERWISE SPECIFIED DIMENSIONS ARE IN INCHES		CONTR NO	LOCKHEED MARTIN CORPORATION
2 P. DECIMALS ±	3 P. DECIMALS ±	NO	NY
DIMENSIONS AND TOLERANCING IS IN ACCORDANCE WITH ASH 11.3 - 1913		NO00039-80-C-0482	STRUCTURE, NY
THIRD ANGLE PROJECTION		PROD	
✓		ENG	
		ISSUED G. DALEY	
		72-12-18	
		72-12-19	
SIZE	CAGE CODE	DWG NO	REV
C	03538	77C712660	J
SCALE	NONE		

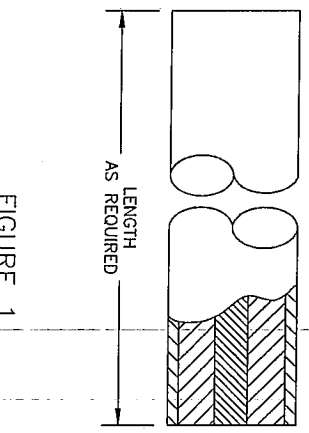
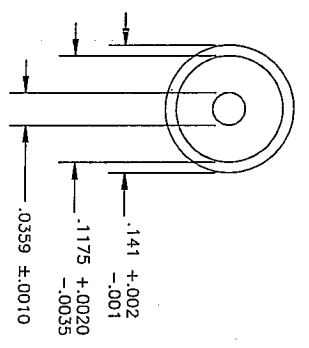


FIGURE 1



PART NO.	FIG NO.	MANUFACTURER'S ITEM IDENTIFICATION NUMBER	REMARKS
1	1	EZ-141-TP EZFORM CABLE CORP. HAMDEN, CT CAGE CODE: 9W826	MICRO-COAX, INC. POTTSTOWN, PA CAGE CODE: 64639
2	2	EZ-141-TP-U	UT-141A-TP UT-141A-TP TYPE SR JACKET
			NOTE 1.3

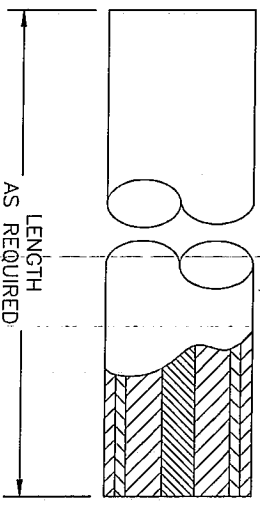
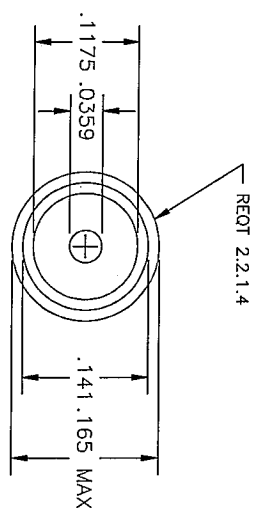


FIGURE 2



DIMENSIONS AND TOLERANCES SHOWN IN FIGURE 1 APPLY

(NE&S-0008 03-01) 4

PROCESSED: 04/05/20.2:54PM

3

ACAD FILE: 77C712660RJDWG

2

SIZE	CAGE CODE	DWG NO.	SHEET
C 03538	77C712660	J	2