



# Heyco® -Tite Nylon Liquid Tight Romex® and Other Oval Hole Connectors

**Straight-Thru, NPT Hubs** with Integral Sealing Ring, Approved for NEMA 6 and 6P Applications

For Romex® NM-B and UF-B Cables. For use in clearance or threaded holes, electrical conduit couplings and adapters.

*The Ultimate in Liquid Tight Strain Relief Protection*

**NO O-RING  
REQUIRED!**



WILL FIT THESE CABLES				PART NO.	DESCRIPTION	UL	PART DIMENSIONS									
Romex® Type	AWG/ Conds.	Approximate Size					Black	A	B	C	D		E			
		in.	mm.		Clearance Hole Dia.	Max. O.A. Length	Thread Length	Wrenching Nut Thickness		Flat Size						
					in.	mm.	in.	mm.	in.	mm.	in.	mm.				

**Romex® Connectors - assembled steel locknuts included**

NM-B	14/2	.19 x	4,9 x	M3231GZA*	LTCG 1/2	UL	.875	22,2	1,70	43,2	.61	15,5	.21	5,3	.98	24,9		
		.39	9,9		M3234GZA		LTCG 3/4	-	1,040	26,4	2,00	50,8	.62	15,7	.25	6,4	1,30	33,0
NM-B	12/2	.21 x	5,3 x	M3231GZB*	LTCG 1/2	UL	.875	22,2	1,70	43,2	.61	15,5	.21	5,3	.98	24,9		
		.42	10,7		M3234GZB		LTCG 3/4	UL	1,040	26,4	2,00	50,8	.62	15,7	.25	6,4	1,30	33,0
UF-B	14/2	.18 x	4,5 x	M3234GZE	LTCG 3/4	-												
	12/2	.19 x	4,8 x		M3234GZF		LTCG 3/4	UL	1,040	26,4	2,00	50,8	.62	15,7	.25	6,4	1,30	33,0
		.42	10,7															
14/3	.19 x	4,8 x	M3234GZG*															
		.63	16,1															

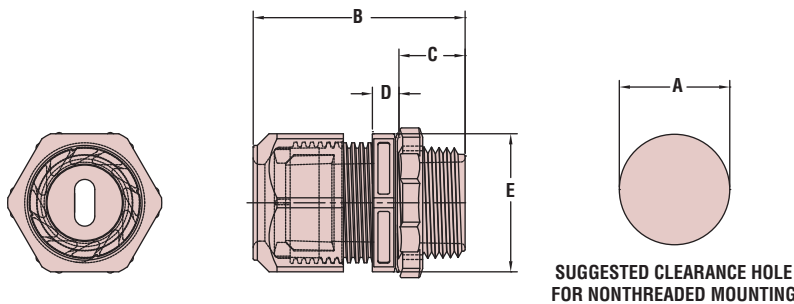
**Other Oval Hole LTCGs - locknuts not included**

n/a	n/a	.45 x	11,4 x	M3234GZK	LTCG 3/4	-										
		.21	5,3													
n/a	n/a	.31 x	7,9 x	M3234GZM	LTCG 3/4	-	1,040	26,4	2,00	50,8	.62	15,7	.25	6,4	1,30	33,0
		.19	4,8													
n/a	n/a	.69 x	17,5 x	M8437GZH	LTCG 1	-	1,326	33,7	2,41	61,2	.76	19,3	.30	7,6	1,73	43,9
		.19	4,8													

Standard color black.

\* Certified by Canadian Standard Association for NMD-90 wire-File 93876.

- Multiple gland sizes for 12/2 through 14/3 Romex® NM-B and UF-B cable. Consult Heyco for additional cable sizes.
- Hub sizes for 1/2 NPT and 3/4 NPT electrical knock-outs or threaded couplings. Consult Heyco for PG and Metric threaded hubs.
- Ratchet design of sealing nut assembly provides superior anti-vibration protection and ensures a firm grip on this cable.
- Integral Sealing Ring ensures a superior seal at mounting locations every time.
- All nylon construction with TPE sealing gland resists salt water, weak acids, gasoline, alcohol, oil, grease, and common solvents. (This feature is not assessed by UL.)
- Suitable for NEMA 6 and 6P enclosures.
- **Assembled Metal Locknuts INCLUDED.**



Material	Nylon 6/6 with TPE Sealing Gland
Certifications	UL Listed under Underwriters' Laboratories File E103540
Flammability Rating	94V-2
Temperature Range	Static -40°F (-40°C) to 239°F (115°C) Dynamic -4°F (-20°C) to 212°F (100°C)
IP Rating	IP 68

*Quick  
Specs*