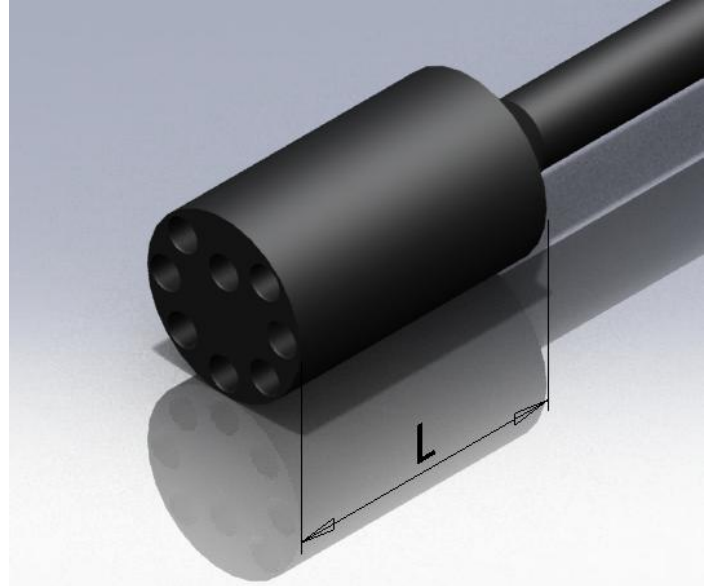
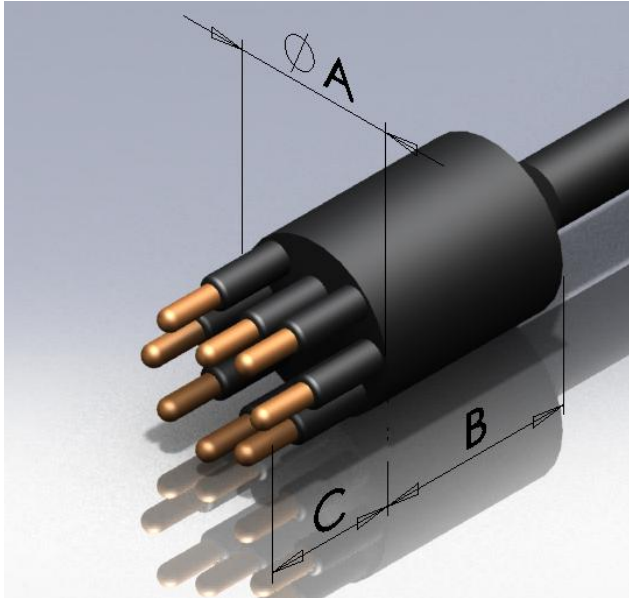


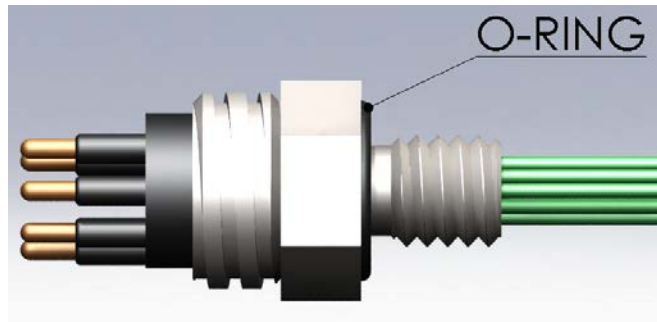
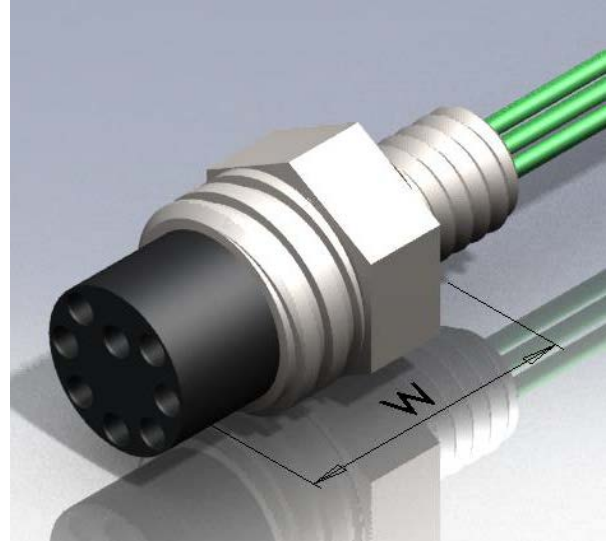
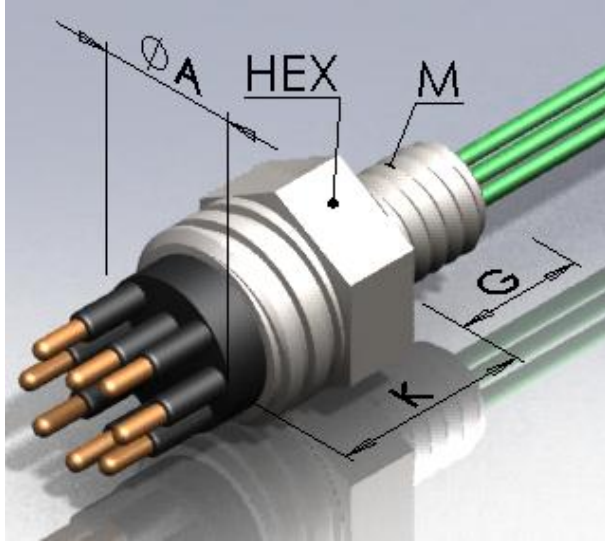
Mini Connector (MC)

Inline Connector (MCIL)



MCIL Data Table											
Number of contacts	2	3	4	5	6	8	9	10	12	16	18
Dim. A [mm]	15.5	15.5	15.5	15.5	15.5	15.5	25.5	25.5	25.5	25.5	25.5
Dim. B [mm]	19	19	19	19	19	19	19	19	19	19	19
Dim. C [mm]	12.5	12.5	12.5	12.5	12.5	12.5	14	14	14	14	14
Dim. L [mm]	25	25	25	25	25	25	28.5	28.5	28.5	28.5	28.5
Locking Sleeve Type:	FLS-MC, MLS-MC	FLS-MC, MLS-MC	FLS-MC, MLS-MC	FLS-MC, MLS-MC	FLS-MC, MLS-MC	FLS-MC, MLS-MC	FLS-MCA, MLS-MCA	FLS-MCA, MLS-MCA	FLS-MCA, MLS-MCA	FLS-MCA, MLS-MCA	FLS-MCA, MLS-MCA
Cable OD [mm]	8	9.4	10	8	8	10	10	10.5	9	10.5	10.5
Cable current [A]	8	8	8	8	7	7	6	6	5	5	4
Ordering number for Male	MCIL2M	MCIL3M	MCIL4M	MCIL5M	MCIL6M	MCIL8M	MCIL9M	MCIL10M	MCIL12M	MCIL16M	MCIL18M
Ordering number for Female	MCIL2F	MCIL3F	MCIL4F	MCIL5F	MCIL6F	MCIL8F	MCIL9F	MCIL10F	MCIL12F	MCIL16F	MCIL18F
Note:							For sizes 9,10,12,16,18 see MCIL-SU for Subconn compatibility				

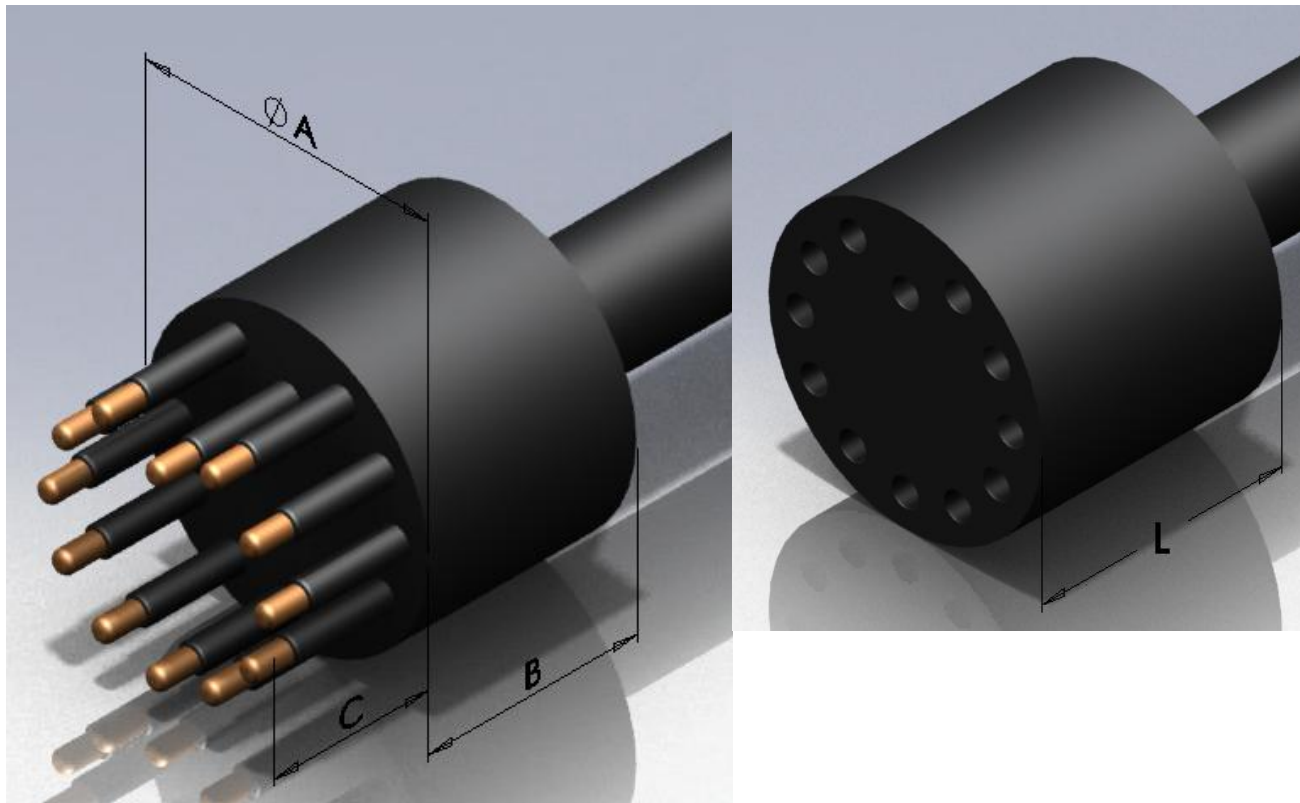
Bulk Head Connector (MCBH)



MCBH Data Table

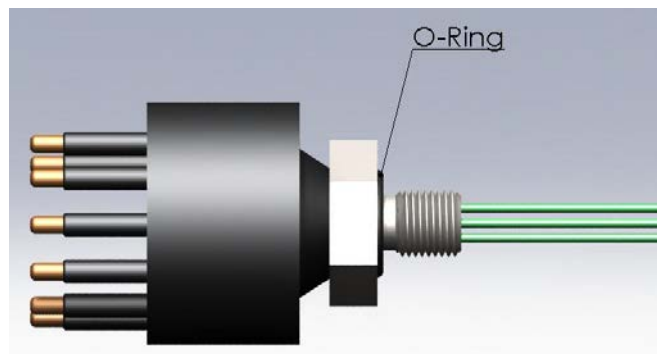
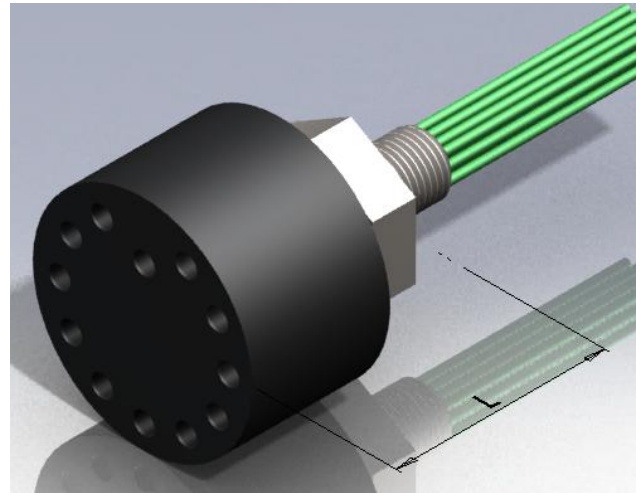
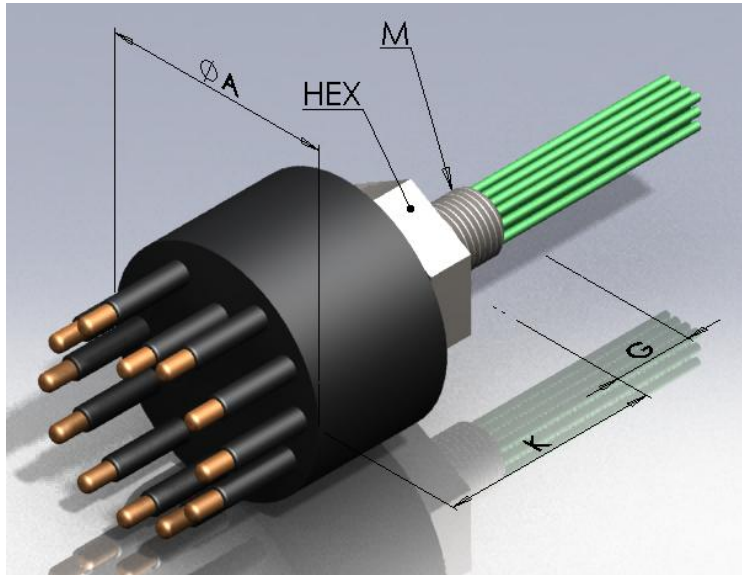
Number of contacts	2	3	4	5	6	8	9	10	12	16	18
Dim. A [mm]	15.5	15.5	15.5	15.5	15.5	15.5	25.5	25.5	25.5	25.5	25.5
M[inch thread]	7/16-20 UNF	7/16-20 UNF	7/16-20 UNF	7/16-20 UNF	7/16-20 UNF	7/16-20 UNF	5/8-18 UNF	5/8-18 UNF	5/8-18 UNF	5/8-18 UNF	5/8-18 UNF
Dim. K [mm]	21.5	21.5	21.5	21.5	21.5	21.5	30	30	30	30	30
Dim. G [mm]	19	19	19	19	19	19	14 or 19	14 or 19	14 or 19	14 or 19	14 or 19
HEX [mm]	19	19	19	19	19	19	24	24	24	24	24
Dim. W [mm]	28	28	28	28	28	28	39	39	39	39	39
O-Ring [material: Nitrile]	2-014	2-014	2-014	2-014	2-014	2-014	2-017	2-017	2-017	2-017	2-017
Locking Sleeve Type:	FLS-MC, MLS-MC	FLS-MC, MLS-MC	FLS-MC, MLS-MC	FLS-MC, MLS-MC	FLS-MC, MLS-MC	FLS-MC, MLS-MC	FLS-MCA, MLS-MCA	FLS-MCA, MLS-MCA	FLS-MCA, MLS-MCA	FLS-MCA, MLS-MCA	FLS-MCA, MLS-MCA
Ordering number for Male	MCBH2M	MCBH3M	MCBH4M	MCBH5M	MCBH6M	MCBH8M	MCBH9M	MCBH10M	MCBH12M	MCBH16M	MCBH18M
Ordering number for Female	MCBH2F	MCBH3F	MCBH4F	MCBH5F	MCBH6F	MCBH8F	MCBH9F	MCBH10F	MCBH12F	MCBH16F	MCBH18F
Note:	For sizes 9,10,12,16,18 see MCIL-SU for compatibility Thread ½-20, Oring 2-015										

SU Inline Connector (MCIL-SU)



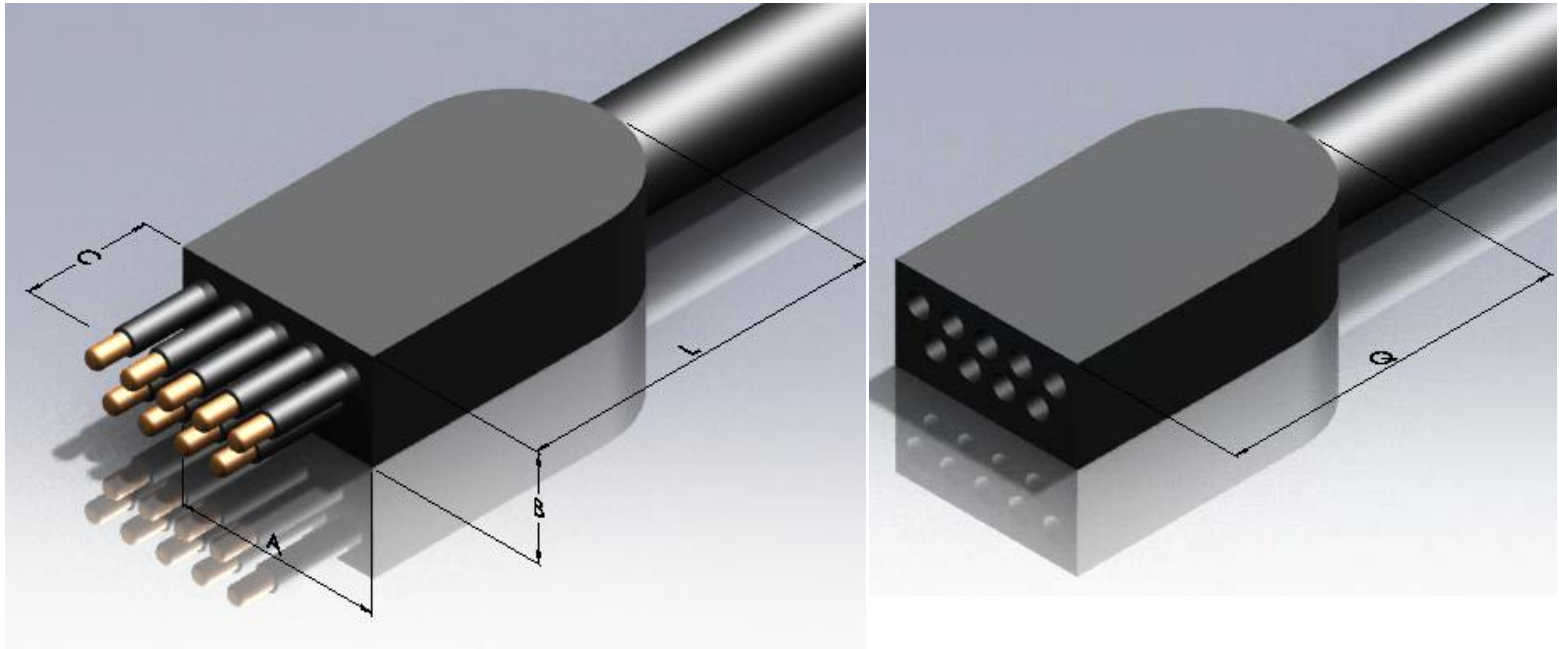
MCIL-SU Data Table				
Number of contacts	9	10	12	16
Dim. A [mm]	25	25	25	25
Dim. B [mm]	19	19	19	19
Dim. C [mm]	19.5	19.5	19.5	19.5
Dim. L [mm]	28	28	28	28
Locking Sleeve Type:	FLS-A MLS-A	FLS-A MLS-A	FLS-A MLS-A	FLS-A MLS-A
Cable OD [mm]	10	10.5	11	12
Cable current [A]	Contact manufacturer			
Ordering number for Male	MCIL9M-SU	MCIL10M-SU	MCIL12M-SU	MCIL16M-SU
Ordering number for Female	MCIL9F-SU	MCIL10F-SU	MCIL12F-SU	MCIL16F-SU

SU Bulk Head Connector (MCBH-SU)



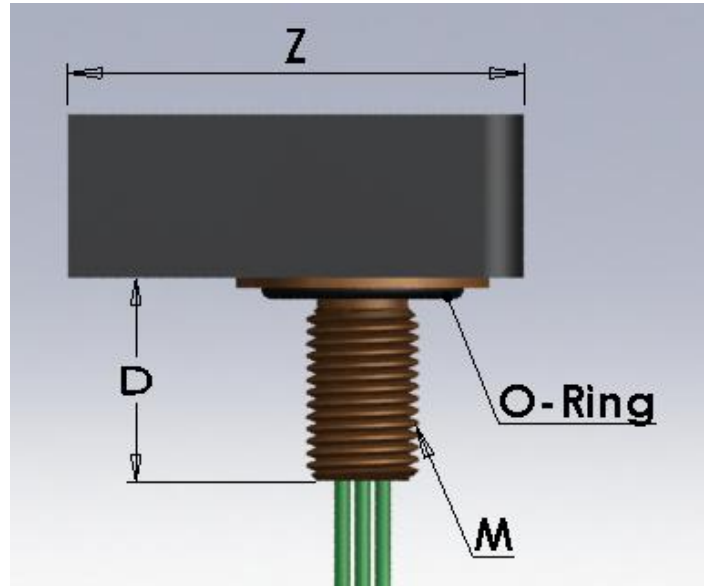
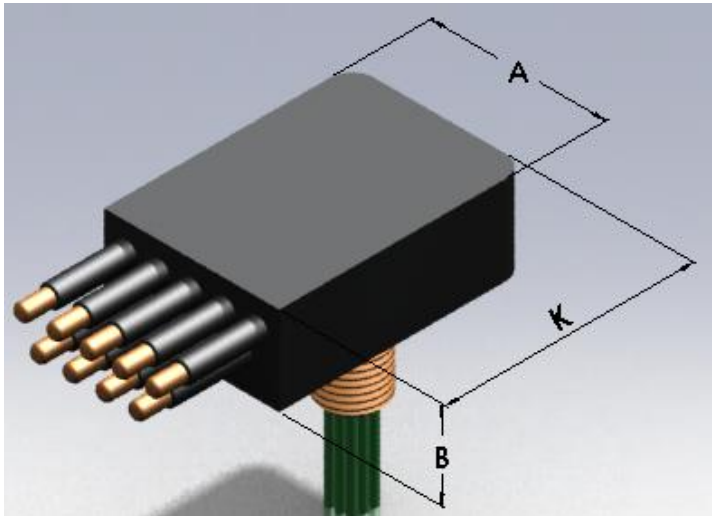
MCBH-SU Data Table				
Number of contacts	9	10	12	16
M[inch thread]	1/2-20 UNF	1/2-20 UNF	1/2-20 UNF	1/2-20 UNF
Dim. A [mm]	25	25	25	25
Dim. K [mm]	36	36	36	36
Dim. G [mm]	14 or 19	14 or 19	14 or 19	14 or 19
HEX [mm]	24	24	24	24
Dim. L [mm]	45	45	45	45
O-Ring [material: Nitrile]	2-017	2-017	2-017	2-017
Locking Sleeve Type:	FLS-A MLS-A	FLS-A MLS-A	FLS-A MLS-A	FLS-A MLS-A
Ordering number for Male	MCBH9M-SU	MCBH10M-SU	MCBH12M-SU	MCBH16M-SU
Ordering number for Female	MCBH9F-SU	MCBH10F-SU	MCBH12F-SU	MCBH16F-SU

MC Low Profile Inline connector (MCLPIL)



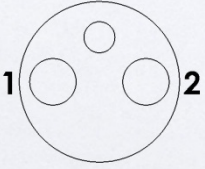
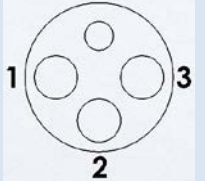
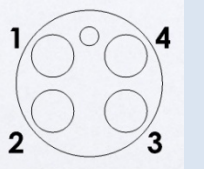
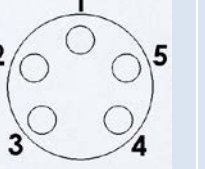
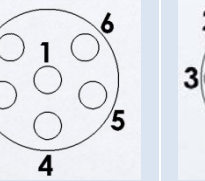

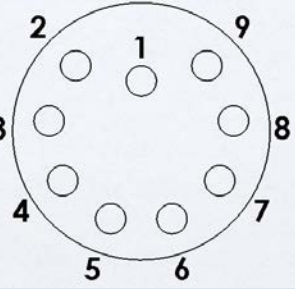
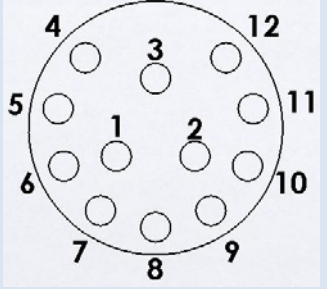
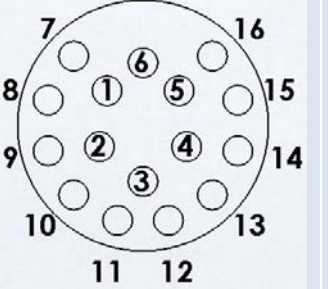
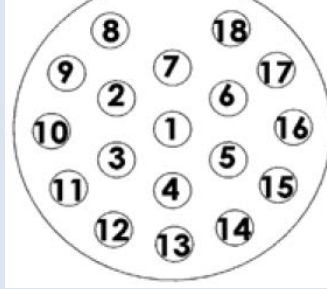
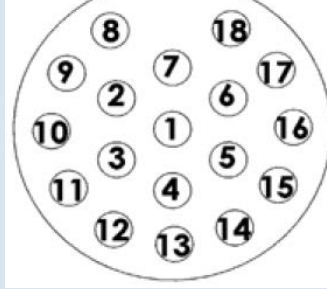
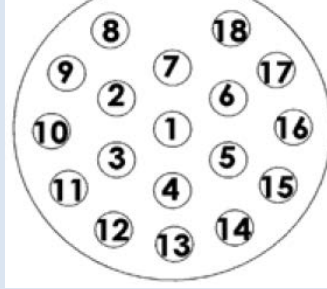
MCLPIL Data Table		
Number of contacts	7	9
Dim. A [mm]	25	25
Dim. B [mm]	14	14
Dim. C [mm]	12.5	12.5
Dim. L [mm]	36.5	36.5
Dim. Q [mm]	43	43
Cable OD [mm]	8.5	10
Cable current [A]	7	7
Ordering number for Male	MCLPIL7M	MCLPIL9M
Ordering number for Female	MCLPIL7F	MCLPIL9F

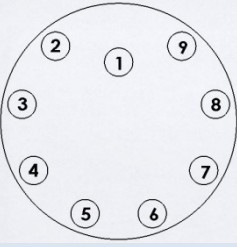
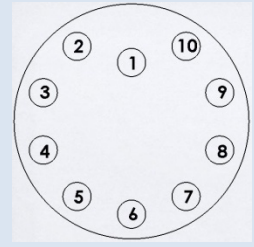
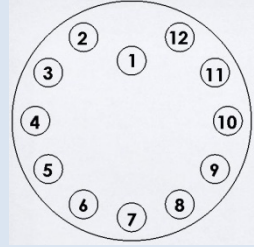
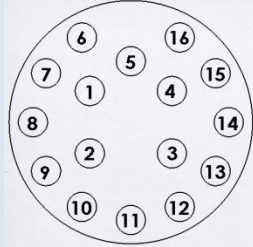
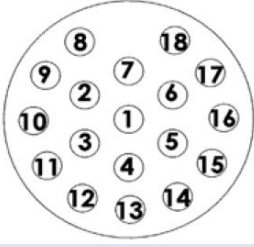
MC Low Profile Bulkhead connector (MCLPBH)

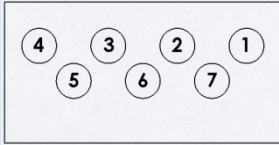



MCLPBH Data Table		
Number of contacts	7	9
Dim. A [mm]	25	25
Dim. B [mm]	14	14
Dim. D [mm]	26	26
Dim. K [mm]	28	28
Dim. Z [mm]	34.5	34.5
M[inch thread]	7/16-20 UNF	7/16-20 UNF
O-Ring [material: Nitrile]	2-014	2-014
Ordering number for Male	MCLPBH7M	MCLPBH9M
Ordering number for Female	MCLPBH7F	MCLPBH9F

MC data

Contact Layout - MC						
Number of contacts	2	3	4	5	6	8
Contact layout (Female)						
Number of contacts	9	12	16	16	18	18
Contact layout (Female)						

Contact Layout – MC -SU				MC-IMP	
Number of contacts	9	10	12	16	18
Contact layout (Female)					

Contact Layout – MCLP-SU				
Number of contacts	7	7	9	7
Contact layout (Female)		MCLPIL7M MCLPIL7F MCLPBH7M MCLPBH7F		MCLPIL9M MCLPIL9F MCLPBH9M MCLPBH9F

Specification MC			
Operational		Material	
Max Current	2-4 contacts: 10A 5-16 contacts: 8A	Molding	Low Carbon Neoprene
Max Voltage	300V	Bulkhead	Brass, 316 Stainless, Titanium
Insulation	>200megaohm	Contacts	Gold plated per MIL-G 45204 Type II, Grade D, Class 00
Contacts	<0.01 ohm	Pin	Phosphor Bronze
Matings	>750	Sockets	Beryllium Copper
Temperature	-5C - +65C	Location Pin	316 Stainless
Depth	>600 bar	In-line cable	2-4 contacts: 60cm, AWG 18 (0.82 mm ²) 16/30 stranding 5-16 contacts: 60cm AWG20 (0.5 mm ²) 26/34 stranding, 12-16 contacts PU Jacket
		BH leads	2-4 contacts: 30cm, AWG 18 Teflon, (0.97 mm ²) 19/30 stranding 5-16 contacts: 30cm, AWG20 Teflon (0.6 mm ²) 19/32 stranding

Wire color code - MCIL									
Designated wire	Number of contacts on connector								
	2	3	4	5	6	8	9	12	16
Wire 1	Black	Black	Black	Black	Black	Black	Black	Violet	Yellow/Brn
Wire 2	White	White	White	White	Green	Green	Green	Grey/Pink	White/Yell
Wire 3		Green	Red	Red	Brown	Brown	Brown	Red/Blue	Brn/Green
Wire 4			Green	Brown	Blue	Blue	Blue	Black	White/Grn
Wire 5				Blue	Yellow	Yellow	Yellow	White	Grey/Brn
Wire 6					Blue/Brown	Green/Black	Green/Black	Brown	White/Grey
Wire 7						Yellow/Black	Yellow/Black	Green	Green
Wire 8						Blue/Black	Blue/Black	Yellow	Brown
Wire 9							Brown/Black	Grey	White
Wire 10								Pink	Red/Blue
Wire 11								Blue	Grey/Pink
Wire 12								Red	Violet
Wire 13									Black
Wire 14									Red
Wire 15									Blue
Wire 16									Pink

Wire color code - MCLP		
Designated wire	Number of contacts on connector	
	7	9
Wire 1	Black	Black
Wire 2	White	White
Wire 3	Red	Red
Wire 4	Green	Green
Wire 5	Blue	Orange
Wire 6	Brown	Blue
Wire 7	Yellow	White/Black
Wire 8		Red/Black
Wire 9		Green/Black