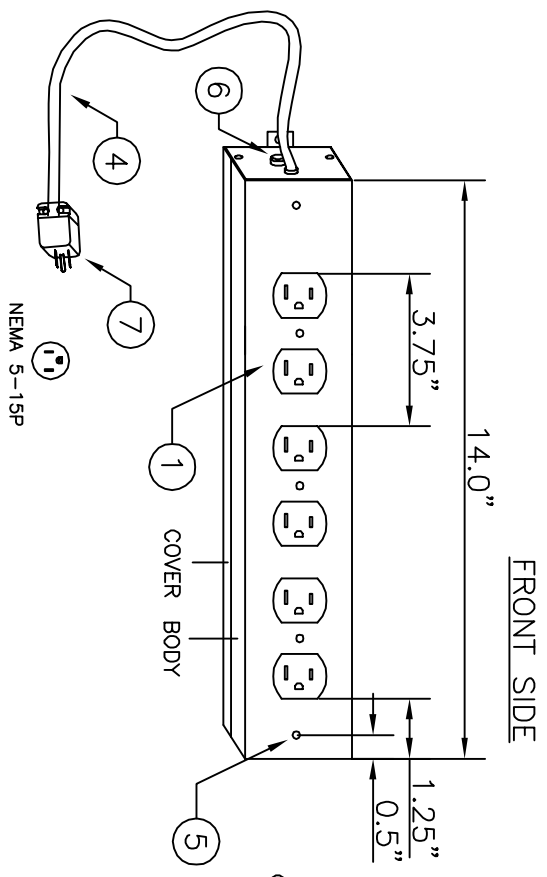
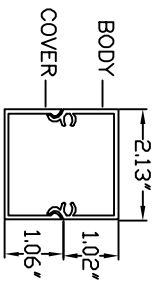


BACK SIDE



FRONT SIDE



CROSS SECTION

- 1-(3) 15A 125V NEMA 5-15R GREY DUPLEX RECEPTACLES
- 2-BLACK METAL END PLATE W/SCREWS
- 3-BLACK METAL END PLATE W/SCREWS
- 4-25FT 14/3 SJ BLACK CORD
- 5-BODY GROUND RIVET
- 6-15A 125V CIRCUIT BREAKER
- 7-15A 125V NEMA 5-15P PLUG



Hubbell Canada LP
 870 Brock Road South
 Pickering, ON L1W 1Z8
 Tel:(905)839-4332
 Fax:(905)839-9120
 www.hubbell-canada.com

SPECIFICATION:
 - FINISH: GREY
 - 15A 125V 60HZ



TITLE:		MCP625B	
PROJECT NAME:		CUSTOM POWER BAR	
DRAWN BY:	AD	DATE:	05/27/05
APPRVD:	SB	SCALE:	NTS
CUSTOMER APPROVAL:		DWG NO.:	A11655
		SHEET:	1/1
		REV:	

*YOU ARE HEREBY NOTIFIED THAT ANY DISSEMINATION, DISCLOSURE, COPYING OR DISTRIBUTION OF THE IDEAS, INFORMATION OR DESIGNS THEREIN SHOWN WITHOUT OUR WRITTEN PERMISSION IS STRICTLY PROHIBITED.