

# MPR Series Modular Raceway System



Middle Atlantic Products, Inc.®

middleatlantic.com



**Design and build a custom power distribution system to your specifications with the MPR series modular power raceway system**

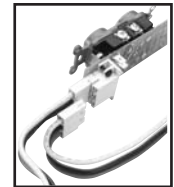
## Features

- Convenient genderless connectors which allow for quick, safe connections to be made - No hardwiring required!
- A choice of 4 raceways which accommodate 3, 6, 8 or 9 power modules
- Basic and full-featured power modules available in 15 amp, 20 amp or 20 amp isolated ground ratings
- Basic modules also available with four outlets and can be field configured for single or dual circuits
- 30 amp, hardwired basic module available
- Allows for raceways consisting of 15 and 20 amp power modules to be connected to one 20 amp circuit or to multiple 15 and 20 amp circuits
- Stand-alone modules with 9' power cord also available
- Select modules can be controlled remotely using Middle Atlantic Products USC-6R controller (see A&E spec. sheet # 96-960), MPR-SEQ sequencer (see A&E spec. sheet # 96-01062) or by any control system that provides contact closure outputs
- 18-gauge steel finished in a durable black powder coat
- All components UL Listed separately and as a system in the US and Canada



Stand-alone models include integral chassis box and power cord

Modules mount in MPR raceways



Interconnect modules with our unique genderless connector. Quick and safe - no hard wiring required!

## Architects' and Engineers' Specifications

MPR modular raceways shall be Middle Atlantic Products model # MPR-X (X = number of modules required) (See chart prior to determining X). Power modules shall be RLM-xx, or M-xx (refer to chart). Isolated ground outlets shall be available, suffix part with IG (ex. RLM-20IG). Stand-alone power modules shall be RLM-xx-1C and shall include a 9' power cord with NEMA 5-15P plug or 5-20P plug. (See chart to determine which stand-alone power modules are suitable for your application). The MPR, RLM and M series shall be constructed of 18-gauge steel and finished in durable black powder coat. MPR components shall be warranted to be free from defects in material and workmanship under normal use and conditions for a period of 3 years. MPR components shall be UL Listed separately and as a system in the US and Canada.

### OPTIONS

- JMS-12X6 Master / Slave Jumpers allow economical M Series modules to be switched remotely by an RLM Series module. Sold in packs of 6
- MPR-SS transient voltage surge suppressor provides protection when mounted in raceways
- J-xX6 Jumpers contain convenient genderless jumpers on each end. Sold in packs of 6 (x = jumper length) (See chart to determine which jumpers are suitable for your application)
- T-xX6 Tails contain a convenient genderless jumper on one end and wire-tails for J-box connection on the other. Sold in packs of 6 (x = tail length) (See chart to determine which tails are suitable for your application)
- MPR-BL Blank covers, close any unused module openings. Sold in packs of 6
- MPR-SEQ six-step sequencer fits in module opening of MPR raceway (See A&E spec sheet # 96-01062)
- Extend a module opening with MPR-E1 or the J-Box with MPR-JBE to accommodate additional wires and terminates within the MPR raceway
- 8" ground wires with termination rings for grounding stud shall be model # G-8X10. Sold in packs of 10

customizable specification clips available at [middleatlantic.com](http://middleatlantic.com)

## Engineered Mounting Solutions

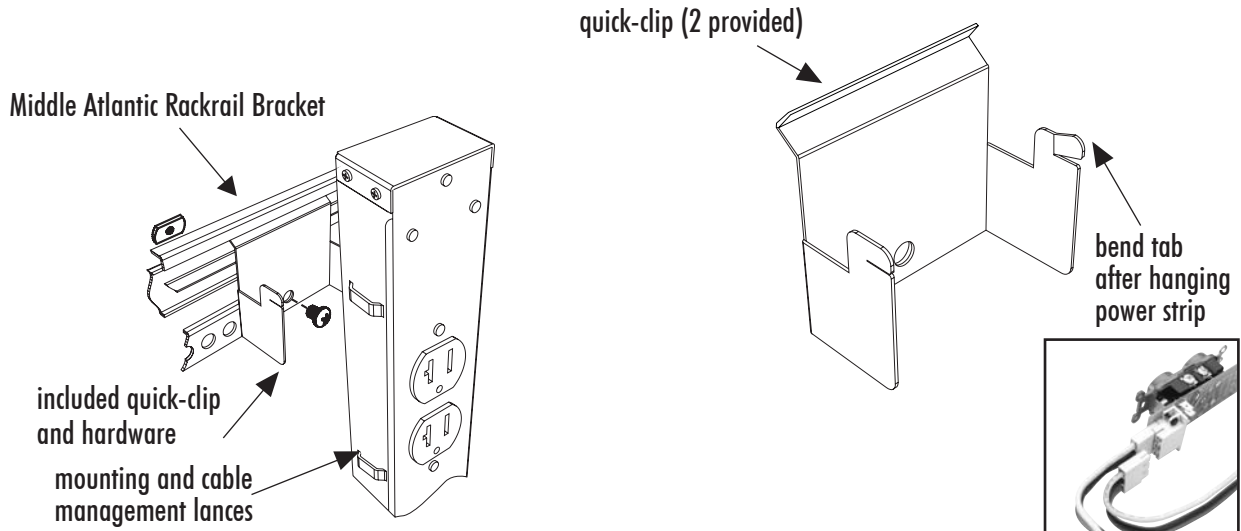
US: New Jersey • California • Illinois • Voice: 973-839-1011 Fax: 973-839-1976 • [middleatlantic.com](http://middleatlantic.com)  
Canada: Ontario • British Columbia • Voice: 613-836-2501 Fax: 613-836-2690 • [middleatlantic.ca](http://middleatlantic.ca)

# Specifications for MPR Series Modular Power Raceways

PART #	NUMBER OF POWER MODULES ACCEPTED	OVERALL LENGTH
MPR-3	3	32" [813mm]
MPR-6	6	56" [1422mm]
MPR-8	8	72" [1829mm]
MPR-9	9	80" [2032mm]

- All MPR Series contain an integral J-box with cover which features an electrical knockout on each side and bottom.
- Mounting: quick clip (see details), 2 supplied per strip.
- Use indoors in dry location only.

## Included Mounting Method



\* Stand-alone module mounts to rackrail bracket without quick-clips



Interconnect modules with unique genderless connectors - no hard wiring required!

## Connections

J series jumpers connect power modules, providing AC power to all modules on the same circuit. Jumpers are made from 65 strand, 12-gauge MTW wire for ease in routing. Pre-terminated jumpers feature convenient genderless 30A connectors at both ends and are sold in packs of six.



J-12X6

PART #	JUMPER LENGTH	WIRE SPECIFICATIONS	TERMINATION	PACKAGING	USE WHEN
J-12X6	12"	12-gauge MTW, 20 amp	30A connector on each end	sold in packs of six	interconnecting neighboring modules
J-24X6	24"	12-gauge MTW, 20 amp	30A connector on each end	sold in packs of six	interconnecting modules with up to one module in between
J-72X6	72"	12-gauge MTW, 20 amp	30A connector on each end	sold in packs of six	interconnecting modules with greater than one module in between

T series tails connect incoming power to a single circuit within a raceway. Tails are made from 65 strand, 12-gauge MTW wire for ease in routing. One tail required per circuit. Each tail features a pre-terminated 30A connector that plugs in to a module at one end, and wire tails for J-box connection on the other. Sold in packs of six.



T-80X6

PART #	JUMPER LENGTH	WIRE SPECIFICATIONS	TERMINATION	PACKAGING	USE WHEN
T-24X6	24"	12-gauge MTW, 20 amp	connector one end, tails on the other	sold in packs of six	connecting the two modules closest to the J-Box to the circuit
T-80X6	80"	12-gauge MTW, 20 amp	connector one end, tails on the other	sold in packs of six	connecting modules that are further away from the J-Box

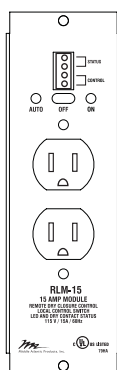
JMS series master / slave jumpers allow economical M series modules to be switched remotely by an RLM series module.

PART #	JUMPER LENGTH	WIRE SPECIFICATIONS	TERMINATION	PACKAGING	USE WHEN
JMS-12X6	12"	12-gauge MTW, 20 amp	connector on one end, connector plus push-on terminal on the other	sold in packs of six	connecting M series modules to be switched remotely by an RLM, RM or R series module

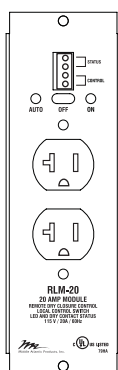


## Engineered Mounting Solutions

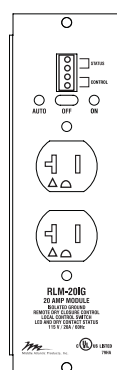
# Specifications for Power Modules



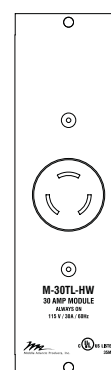
RLM-15



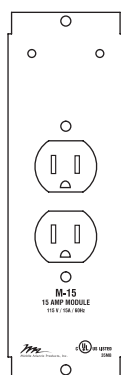
RLM-20



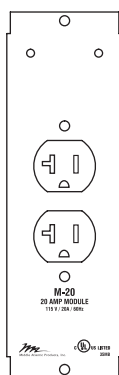
RLM-20IG



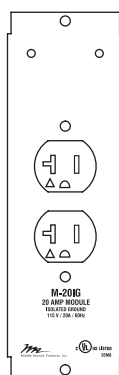
M-30TL-HW



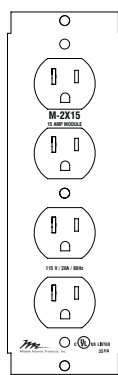
M-15



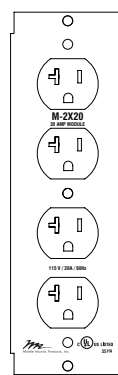
M-20



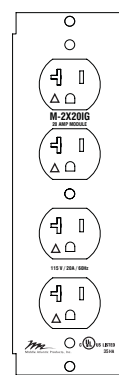
M-20IG



M-2X15



M-2X20



M-2X20IG

Full-featured RLM Series Modules can be switched remotely via contact closure, as well as with the local switch provided. Units provide contact closure status output, and include a local status LED. M Series Modules are always on and cannot be switched remotely unless used in conjunction with a RLM Series module and JMS Series master / slave jumper. M-30TL-HW is hardwired only. Units do not provide status indication. M-2X modules can be field configured to operate on two circuits.

STAND-ALONE PART #	MODULE PART #	AMPERAGE	CONTROL	STATUS	INPUT VOLTAGE	CIRCUITS
RLM-15-1C	RLM-15	15	contact closure, local switch	LED and contact closure	115 VAC 60Hz	1
RLM-20-1C	RLM-20	20	contact closure, local switch	LED and contact closure	115 VAC 60Hz	1
	RLM-20IG	20/isolated ground	contact closure, local switch	LED and contact closure	115 VAC 60Hz	1
	M-30TL-HW	30 (NEMA L5-30)	always on	none	115 VAC 60Hz	1
	M-15	15	always on, JMS jumper	none	115 VAC 60Hz	1
	M-20	20	always on, JMS jumper	none	115 VAC 60Hz	1
	M-20IG	20/isolated ground	always on, JMS jumper	none	115 VAC 60Hz	1
	M-2X15	15	always on, JMS jumper	none	115 VAC 60Hz	1 or 2, field configurable
	M-2X20	20	always on, JMS jumper	none	115 VAC 60Hz	1 or 2, field configurable
	M-2X20IG	20/isolated ground	always on, JMS jumper	none	115 VAC 60Hz	1 or 2, field configurable

- Modules on the same circuit shall interconnect using J series jumpers, which feature # 12 (20 amp) wire with genderless 30 amp connectors at both ends and require no hard wiring.\*
- All modules on separate circuits shall connect using T series tails, which feature # 12 (20 amp) wire with genderless appliance-grade 30 amp connector on one end and wire tails for J-box connection on the other.\*
- Two duplexes on M-2X modules can be fed by two separate circuits. Remove the factory-installed jumpers (line & neutral) and feed each duplex using two T series tails.\*
- Isolated ground outlets shall not be mixed with non-isolated ground modules on the same circuit.\*

- Modules with remote control shall be controlled by the Middle Atlantic USC-6R controller, MPR-SEQ sequencer or by any control system that provides contact closure outputs (depending on module selected).
- Module chassis shall be constructed of 18-gauge steel finish in a durable black powdercoat.
- The modules shall be attached to MPR raceways using two conveniently located screws.\*

\* Does not apply to stand-alone modules

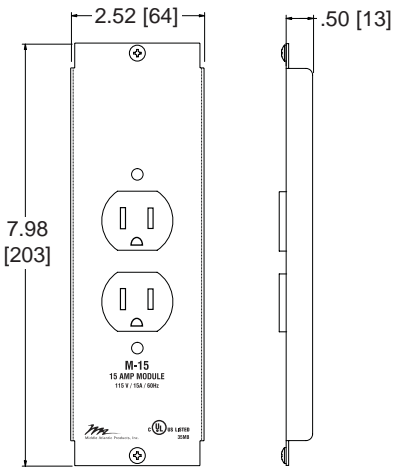


## Engineered Mounting Solutions

# MPR Series Modular Power Raceway System basic dimensions

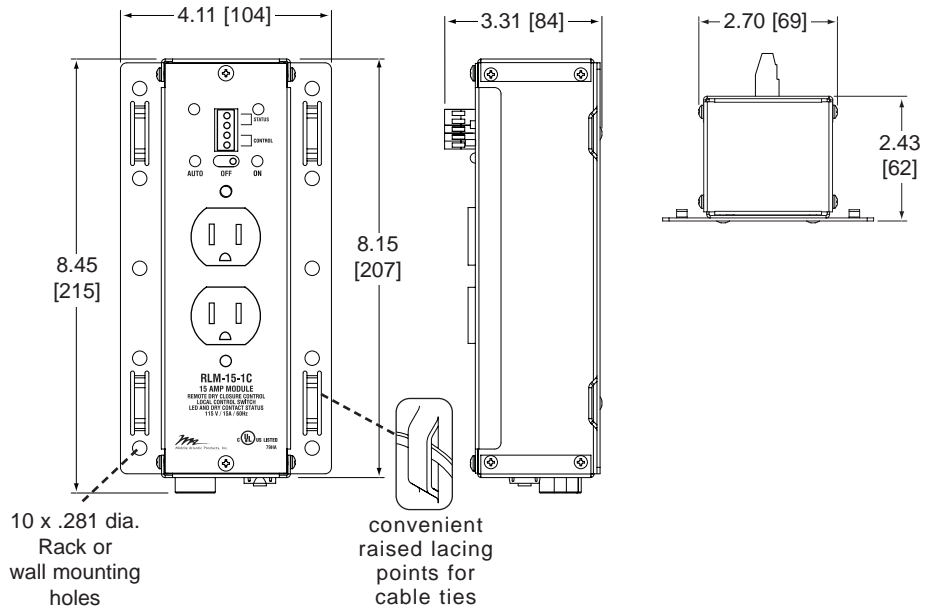
## MODULES

FRONT VIEW SIDE VIEW



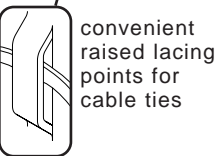
## STAND-ALONE MODULES

FRONT VIEW SIDE VIEW TOP VIEW



## RACEWAYS

SIDE VIEW



Trade size electrical knockouts 1/2" and 3/4"

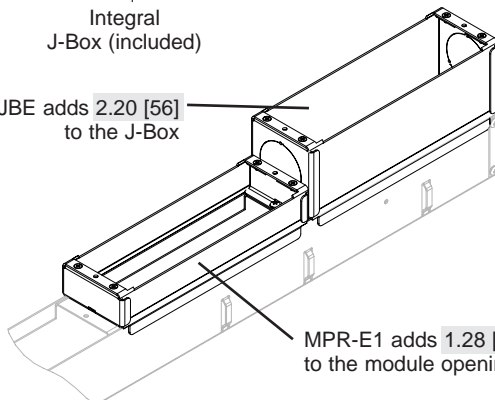
End cap with electrical knockouts

FRONT VIEW

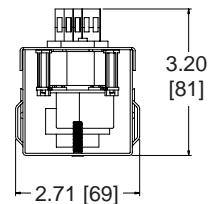
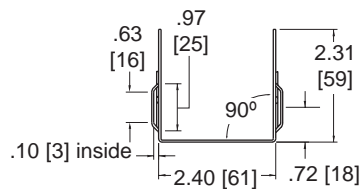


Integral J-Box (included)

MPR-JBE adds 2.20 [56] to the J-Box



PART #	NUMBER OF POWER MODULES ACCEPTED	OVERALL LENGTH
MPR-3	3	32" [813mm]
MPR-6	6	56" [1422mm]
MPR-8	8	72" [1829mm]
MPR-9	9	80" [2032mm]



TOP VIEW  
(module shown installed)



All dimensions are in inches unless otherwise noted [Bracketed dimensions are in millimeters]