



# AXS Slide Out System In Steel Host Enclosure



US Patent #5,443,312

EIA/TIA Compliant



Spec. # 96-055S for full product info.



Models Available



**MRK-4426AXS**  
shown extending to service position

**A factory-assembled system in an MRK, WRK-SA or ERK enclosure, the patented pull-out design is ideal for access to rear equipment connections.**

Entire bays of equipment can be rolled out for service and installation flexibility. Select an AXS when space-limited environments require equipment bays to be placed up against a wall or back to back and a straight pullout is preferred.

### Structural Features

- Adjustable service stand elevates service tracks to bottom of AXS, allowing it to pull out
- Host enclosure can be pre-installed on-site while detachable rack frame is integrated with equipment off-site, simplifying installation
- Standard fixed front and rear heavy-gauge, 10-32 threaded rackrail with numbered rackspace increments speeds equipment mounting
- Finished in a durable black textured powder coat

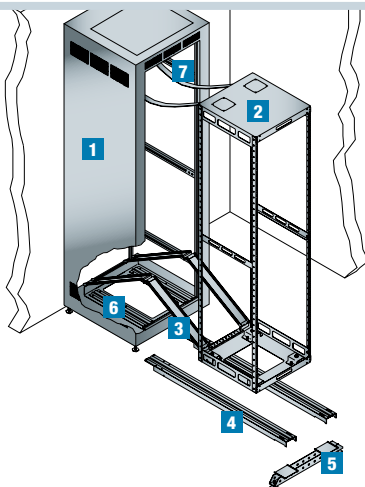
### Cable Management

- Articulating cable carriers attach to rack frame for effective cable management

### Regulatory / Certifications

- 650 lb. weight capacity with proper weight distribution
- Specified MRK-Series AXS racks are seismic certified to the following codes and standards: 2007 & 2010 CBC; 2006, 2009 & 2012 IBC; ASCE 7-05 (2005 Edition) & ASCE 7-10 (2010 Edition) and the 2006 & 2009 editions of NFPA 5000 for use in areas of high seismicity – Zone 4 or Seismic Design Category (SDC) “D”. These are designed for Mission Critical and/or High-Importance Installations in locations with the highest level of seismicity and top floor or rooftop installations including those within UBC and CBC Essential facilities or IBC, ASCE 7, and NFPA 5000 Seismic Use Group III facilities. For all codes, the Importance factor  $I_p$  is 1.5. Z4 models have a Seismic Certified load capacity of 520 lb.
- GREENGUARD Indoor Air Quality Certified for Children and Schools (the most strict level)

Part #	Useable Racking Height	Overall Height	Frame Depth	Host Cabinet Depth	Overall Width	Seismic Certified	Recommended Power
MRK-4426AXS	71-3/4" (41 space)	83-1/8"	20"	26-1/2"	22"	No	N P R T
MRK-4026AXS	64-3/4" (37 space)	76-1/8"	20"	26-1/2"	22"	No	G J N
MRK-3726AXS	59-1/2" (34 space)	70-7/8"	20"	26-1/2"	22"	No	E G J
MRK-4431AXS-26	71-3/4" (41 space)	83-1/8"	26"	31-1/2"	22"	No	N P R T
MRK-4031AXS-26	64-3/4" (37 space)	76-1/8"	26"	31-1/2"	22"	No	G J N
MRK-3731AXS-26	59-1/2" (34 space)	70-7/8"	26"	31-1/2"	22"	No	E G J
MRK-4426AXS-Z4	71-3/4" (41 space)	83-1/8"	20"	26-1/2"	22"	Yes	N P R T
MRK-4026AXS-Z4	64-3/4" (37 space)	76-1/8"	20"	26-1/2"	22"	Yes	G J N
MRK-3726AXS-Z4	59-1/2" (34 space)	70-7/8"	20"	26-1/2"	22"	Yes	E G J
WRK-44SA-27AXS	71-3/4" (41 space)	83-1/8"	20"	27-1/2"	24-1/4"	No	N P R T
WRK-44SA-32AXS-26	71-3/4" (41 space)	83-1/8"	26"	32-1/2"	24-1/4"	No	N P R T
ERK-4425AXS	71-3/4" (41 space)	81-1/8"	20"	25"	22"	No	N P R T
ERK-3525AXS	56" (32 space)	65-3/8"	20"	25"	22"	No	E G J



**The following is included w/ each of the above**

Qty	Items Included
1	modified welded cabinet <b>1</b>
1	assembled rack frame <b>2</b>
2	triple hinged cable carriers <b>3</b>
1	internal system base <b>6</b>
2	top restraining leashes <b>7</b>

**4 Service Tracks - pair of removable service tracks (not included)**

Part # (pair)	Track Length	Rack Frame Extension Length
TRACK50	50"	48"

**5 Service Stand - supports & levels service tracks**

Part #	Height Range
TRACKL	2-1/4" to 3-1/4"

