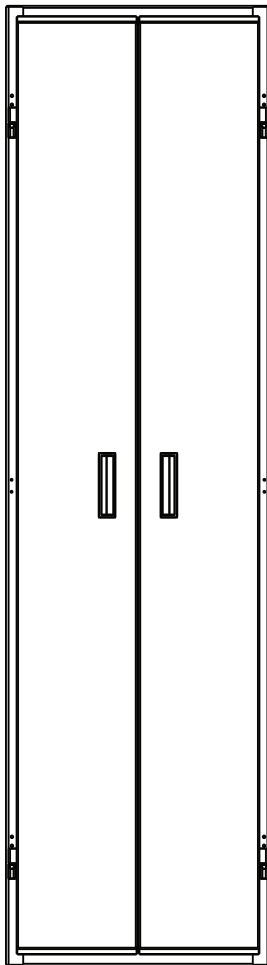


INSTRUCTION SHEET
GRK SERIES
CUPBOARD DOOR OPTION



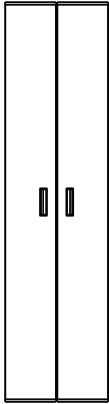
THANK YOU

Thank you for purchasing a GRK Series Cupboard Door option. Please read these instructions thoroughly before installing or assembling this product.

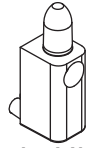
PRODUCT FEATURES

- Solid and vented cupboard doors are available in all rack heights.

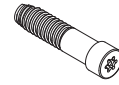
SUPPLIED COMPONENTS AND HARDWARE



Cupboard Doors
(x1 Set; Solid Doors Pictured)



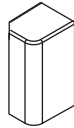
Male Hinge
(x4)



1/4-20 Star Screw
(x4)



Washers
(x4)



Female Hinge
(x4)



10-32 Hex Screw
(x4)



Decorative Cap
(x4)

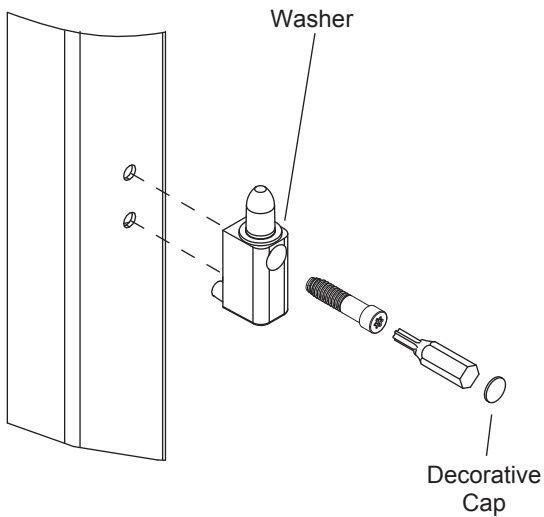
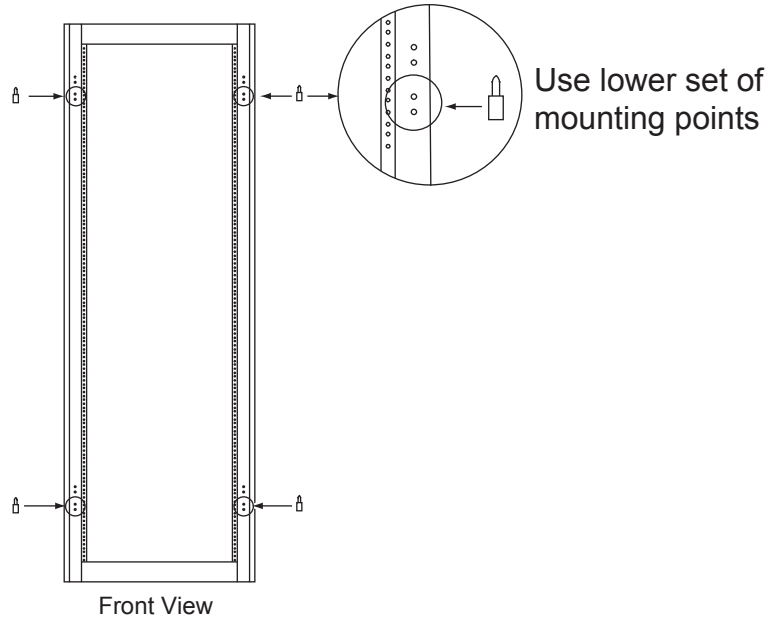
PROVIDED TOOLS

- Security (Star) Bit
- 5/32 Ball Drive Hex Key

INSTALLATION

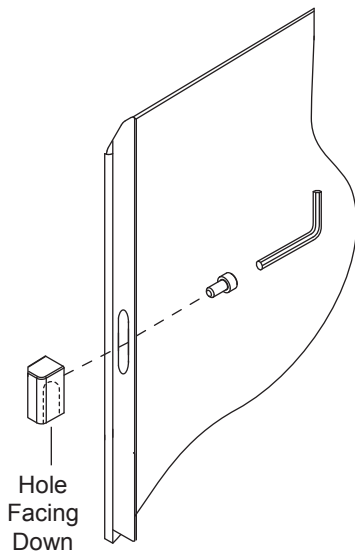
1. Install male hinges to both sides of cabinet as shown.

NOTE: Hinge post ships with washer preinstalled. If the washer comes off during shipping, reinstall it now.

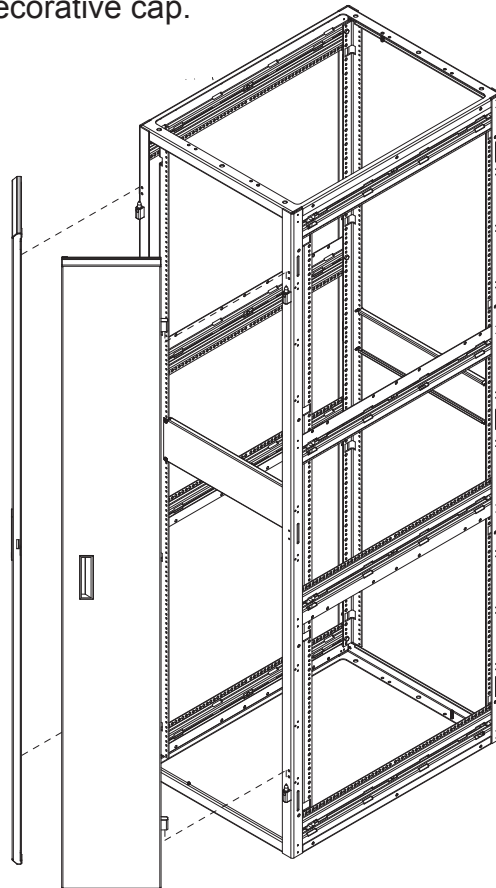


2. Secure with included thread cutting screw, using included security bit. Do not overtighten. Install decorative cap.

3. Install female hinges to doors as shown. Secure with Hex Screws using included hex key.



4. Install doors on rack.





Middle Atlantic Products

what great systems are built on™

middleatlantic.com ■ 800.266.7225

WARRANTY

Middle Atlantic Products (the "Company") warrants the Universal product to be free from defects in material or workmanship under normal use and conditions for the lifetime of the product.

The Company's entire liability to the purchaser, and the purchaser's (or any other party's) sole and exclusive remedy, under this warranty shall be limited, at the Company's option, to either (a) return of and refund of the price paid for, or (b) repair or replacement at the Company's factory of the products purchased, or any part or parts thereof, which the Company has determined to be defective after inspection thereof at the Company's factory.

This warranty does not cover damage due to acts of God, accident, misuse, abuse or negligence by parties other than the Company, or any modification or alteration of the products. In addition, this warranty does not cover damage due to improper handling, assembly, installation or maintenance.

THIS WARRANTY IS IN LIEU OF ALL OTHER WARRANTIES OF ANY KIND, EITHER EXPRESSED OR IMPLIED, INCLUDING, BUT NOT LIMITED TO, IMPLIED WARRANTIES OF MERCHANTABILITY AND FITNESS FOR A PARTICULAR PURPOSE.

TO THE MAXIMUM EXTENT PERMITTED BY APPLICABLE LAW, IN NO EVENT SHALL THE COMPANY BE LIABLE FOR ANY SPECIAL, INCIDENTAL, INDIRECT, OR CONSEQUENTIAL DAMAGES WHATSOEVER (INCLUDING, WITHOUT LIMITATION, DAMAGES FOR LOSS OF BUSINESS PROFITS, BUSINESS INTERRUPTION OR ANY OTHER PECUNIARY LOSS) ARISING OUT OF THE USE OF THE PRODUCTS PURCHASED, EVEN IF THE COMPANY HAS BEEN ADVISED OF THE POSSIBILITY OF SUCH DAMAGES. THE COMPANY'S LIABILITY TO THE PURCHASER (OR ANY OTHER PARTY) HEREUNDER, IF ANY, SHALL IN NO EVENT EXCEED THE PURCHASE PRICE OF THE PRODUCTS PAID TO THE COMPANY.

Corporate Headquarters

Corporate Voice 973-839-1011 - Fax 973-839-1976 / International Voice +1 973-839-8821 - Fax +1 973-839-4982
middleatlantic.com - info@middleatlantic.com

Middle Atlantic Canada

Voice 613-836-2501 - Fax 613-836-2690 / middleatlantic.ca - customerservicecanada@middleatlantic.ca

Factory Distribution

USA: NJ - CA - IL Canada: ON - BC

At Middle Atlantic Products we are always listening. Your comments are welcome.

Middle Atlantic Products is an ISO 9001 and ISO 14001 Registered Company.