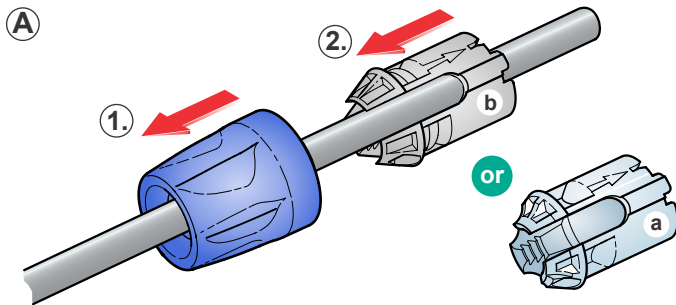




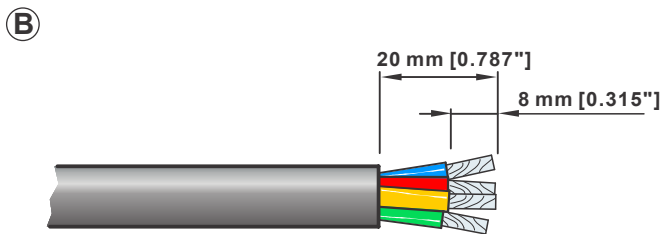
ASSEMBLY INSTRUCTION

NL4FC | speakON® - Lockable Loudspeaker Connector



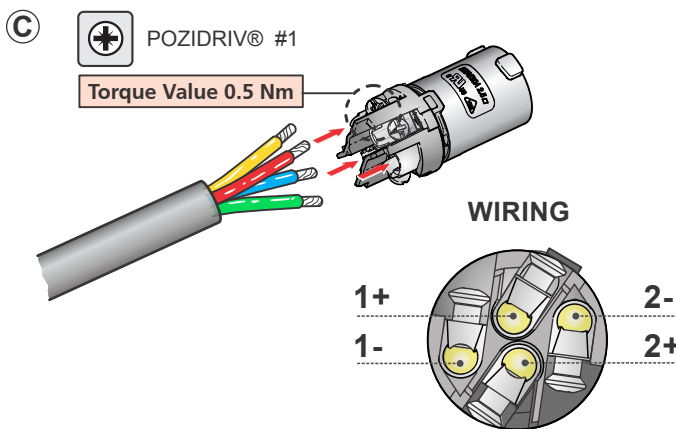
- A** Place the bushing (1) and the chuck (2) over the cable.

White chuck (a): 6.0 - 11.0 mm [0.236 - 0.433"]
Black chuck (b): 9.5 - 15.0 mm [0.374 - 0.59"]



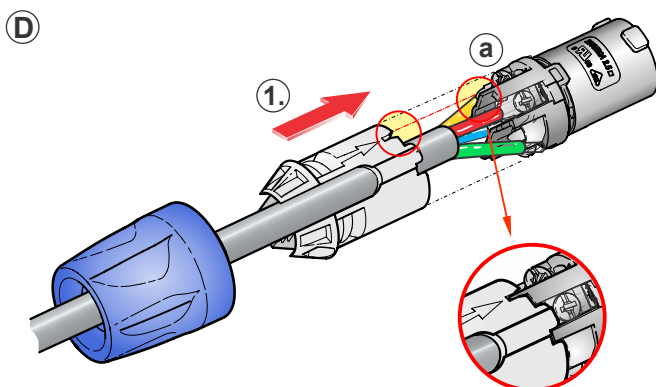
- B** Prepare the cable as shown.

Cable O.D.: 6.0 - 15.0 mm [0.236 - 0.59"]
Wire size: 4 mm² (AWG 12)



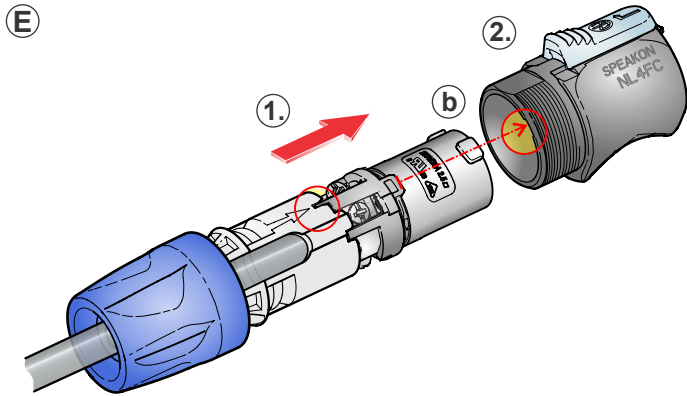
- C** Insert the wires into the terminals and fasten the clamping device with a screw driver (POZIDRIV® #1).

Max. torque 0.5 Nm (0.37 lb-ft).



- D** Slide the chuck (1) onto the insert.

Important:
(a) Align the chuck by positioning the nose into the recess.



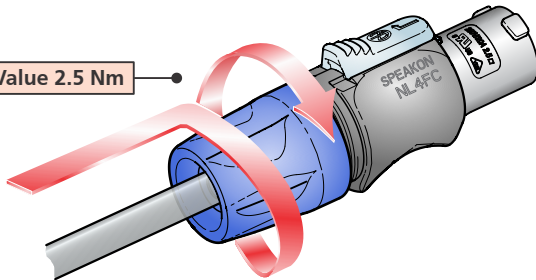
E Slide the insert and the chuck (1) into the housing (2).

Important:
(b) Pay attention to the guiding keyway!

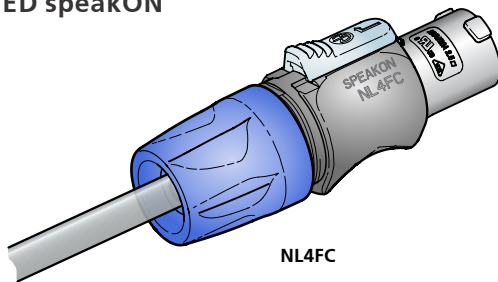
F  Wrench size
7/8" (SW22)

F Fasten the bushing with a fork wrench 7/8" (SW 22).

Torque Value 2.5 Nm



FINISHED speakON



NL4FC



Find more details of speakON on www.neutrik.com.

Attention:
speakON is NOT to be used as an AC mains or power supply connector!

NEUTRIK AG LI T: +423/237 24 24 F: +423/232 53 93
 NEUTRIK USA Inc. USA T: +1 704 / 972 3050 F: +1 704/438 9202
 NEUTRIK (UK) Ltd. UK T: +44 1983/ 811 441 F: +44 1983/811 439
 NEUTRIK Vertriebs GmbH DE/NL/AT/DK T: +49 8131 / 280 890 F: +49 8131/280 830

NEUTRIK France FR T: +33 1/4131 6750 F: +33 1/4131 0511
 NEUTRIK Tokyo Ltd. JP T: +81 3/3663 4733 F: +81 3/3663 4796
 NEUTRIK Hong Kong Ltd. HK T: +852/2687 6055 F: +852/2687 6052
 NEUTRIK India Pvt. Ltd. IND T: +91/982 05 43 424 F: +91/22 26163 540

Draft. Nr.: BDA 450 | Update: 31.08.2015 | Data subject to change without prior notice. ©2015 NEUTRIK®. ALL RIGHTS RESERVED. NEUTRIK® are registered trademark.