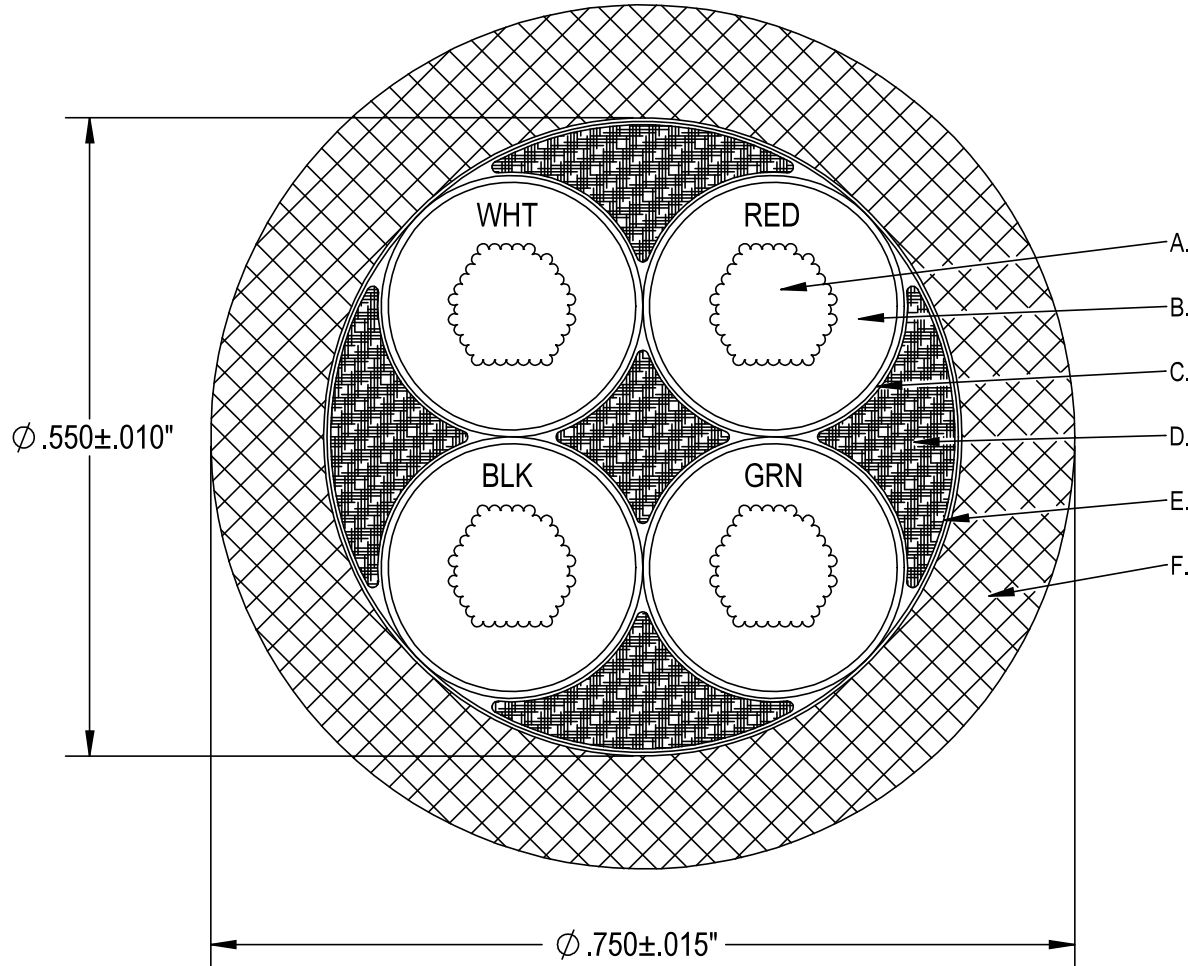
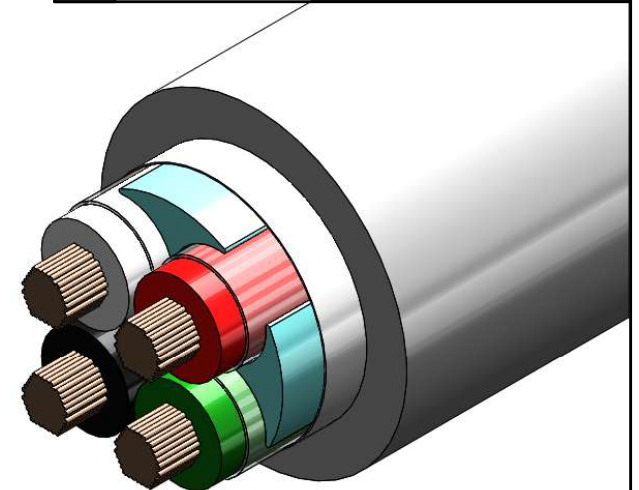


DESCRIPTION: 10/4 STOOV 90C 600V		UNITS: IN	SCALE: 4:1	ITEM	SPECIFICATIONS
CUSTOMER: ALL	NWI P/N: FTC104-001 (N)	DWG NO: 1004T002		A.	10 AWG 105X30 BARE COPPER STRANDING
CUSTOMER P/N: N/A	DRAWN BY: DP LANGER	DATE: 2/22/2005	REV: A	B.	45 MILS PVC INSULATION 40 MILS MIN. PVC INSULATION O.D.: .215 ± .002"

CORE DIMENSIONS FOR INTERNAL USE ONLY



C.	5 MILS NYLON OVERCOAT 4 MILS MIN. NYLON OVERCOAT O.D.: .227 ± .002"
D.	POLY FILLER AS NEEDED FOR ROUNDNESS
E.	TISSUE PAPER SEPARATOR
F.	95 MILS PRESSURED PVC JACKET 76 MILS MIN. GRAY PVC JACKET
UL LISTED & CSA CERTIFIED	
ROHS COMPLIANT MATERIALS TO EU DIRECTIVE 2011/65/EU	



ISOMETRIC VIEW FOR REFERENCE ONLY



This document contains proprietary and confidential information of Northwire, Inc. (and its subsidiary) and shall not be used, disclosed or reproduced, in whole or in part, for any purpose without the prior written consent of Northwire, Inc. (and its subsidiary).

Disclaimer: The technical data that is made part of this document may be subject to the International Traffic in Arms Regulation (ITAR) and the Export Administration Regulations (EAR). Disclosure of technical data to Foreign Persons in the course of employment with U.S. contractors is considered an export and is subject to the ITAR and EAR export licensing requirements/regulations.

DESCRIPTION: 10/4 STOOW 90C 600V		UNITS: IN	SCALE: 60:1	ELECTRICAL REQUIREMENTS
CUSTOMER: ALL	NWI P/N: FTC104-001 (N)	DWG NO: 1004T002		DIELECTRIC WITHSTAND VOLTAGE: 2KV AC
CUSTOMER P/N: N/A	DRAWN BY: DP LANGER	DATE: 2/22/2005	REV: A	



MECHANICAL REQUIREMENTS
MEETS IMPACT, CRUSH RESISTANCE AND OIL RES II REQUIREMENTS OF UL 1277

UPDATED TO SW, ADDED ST PN AND LEGEND	A	9/28/18	NN
REMOVED DEGREE SYMBOL FROM LEGEND	4	12/23/08	CJM
WAS STOOW 105C	3	1/20/06	DPL
WAS PAPER FILLER	2	1/17/06	DPL
INITIAL RELEASE	1	2/22/05	NN
REVISION RECORD	REV.	REV DATE	APR
REVISIONS			