



Endurance

IEEE 1394 FireWire™ Cable Assemblies b to b

- Meets or exceeds IEEE 1394a and b standards
- Our standard FireWire™ cable is an extended-length/extended-life cable suitable for use up to 7 meters (23 feet) 1394b 800 Mbps
- Rough-service, industrial-strength AWM Style cables are UL recognized and CSA certified
- Surpassed 11 million flex cycles in rigorous NSFTP Modes A and B testing*
- Optimal shielding—100 percent coverage foil/polyester tape shield with two drain wires and an overall tinned copper braid

SPECIFICATIONS

CABLE

Part Number : # FAWM226C-008

Outer Diameter : 0.285" (7.239 mm)

Outer Jacket : Northwire EnduroFLEX® I TPE Dark Matte Green

Max. Temperature Rating : 80°C

Max. Operating Voltage – UL : 30V

Flex Life : Tested > 11 Million Cycles Northwire Standardized Flex Test Protocol Modes A and B*

Compliance : Meets or Exceeds the Electrical Specifications per IEEE 1394a and b
 UL recognized AWM Style
 CSA certified
 RoHS compliant

Flame Test : FT1

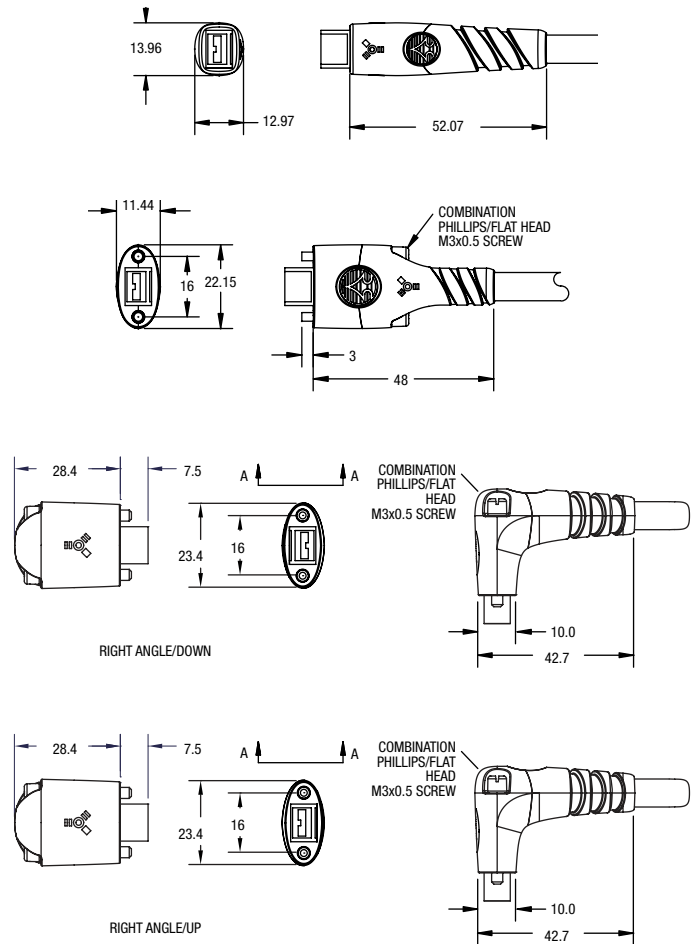
ASSEMBLY

Length Tolerance : +5%/-0%

Connector : IEEE 1394b, Internally Shielded, 9 pin

*For Northwire Standardized Flex Test Protocol, go to www.northwire.com/flx

DIMENSIONS



Screwdriver included with screw locking assemblies

STANDARDS, AGENCY AND ENVIRONMENTAL COMPLIANCE:

