



# Endurance

## Power Over Camera Link® (PoCL) Cable Assemblies

- Industrial grade for cameras and frame grabbers
- Standard and PoCL® (Power over Camera Link) versions available
- Assemblies meet both Appendixes D and E requirements of the Camera Link® specification
- Passed 19 million cycles in NSFTP mode A testing\*
- Dual-shield construction with a 100 percent foil and 65 percent braid shield

### SPECIFICATIONS

#### CABLE

**Part Number :** # FAWM2824-002

**Outer Diameter :** 0.355" (9.017 mm)

**Outer Jacket :** Northwire EnduroFLEX® I TPE Dark Matte Green

**Max. Temperature Rating :** 80°C

**Max. Operating Voltage – UL :** 30V

**Flex Life :** Tested > 19 Million Cycles Northwire Standardized Flex Test Protocol Mode A\*

**Compliance :** Meets the Requirements of Appendixes D and E of the Camera Link Specification  
 UL recognized AWM Style  
 CSA certified  
 RoHS compliant

**Flame Test :** VW-1, FT1

#### ASSEMBLY

**Length Tolerance :** ≤9m : +5% / -0%  
 10m : +0% / -5%

**Connector :** Camera Link specified. Internally Shielded 360°. Assemblies also Available with 30 and 32 AWG Conductors.

\*For Northwire Standardized Flex Test Protocol, go to [www.northwire.com/fix](http://www.northwire.com/fix)

### STANDARDS, AGENCY AND ENVIRONMENTAL COMPLIANCE:



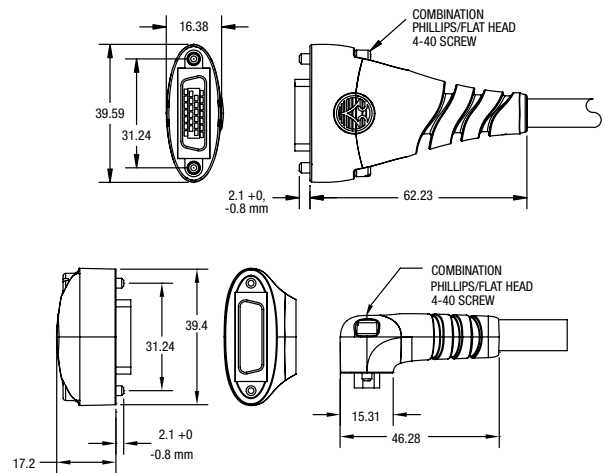
CSA



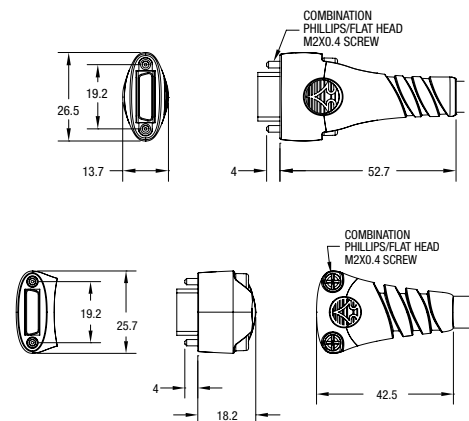
**Power over Camera Link®**

### DIMENSIONS

#### Camera Link PoCL



#### MiniCL PoCL



Screwdriver included with screw locking assemblies