

Customer: IEWC

Customer P/N: ****

Drawing NO: O-8465

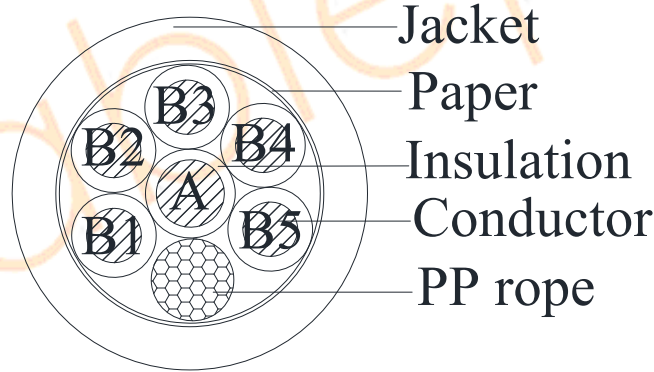
Version NO: C

Name & Specification: Multi-core Cable 1C×14AWG(41/0.254T)+5C×18AWG(19/0.254T)

Customer Approved:

Date:

CONSTRUCTION



DESCRIPTION

Rating voltage 600V
The maximum operating temperature 105°C
RoHS Compliant

Application

/

Reference Standard

According to customer's requirements

CONSTRUCTION

1. Conductor A: Tinned copper stranded, 41/0.254mm
2. Insulation A: PVC, Min.average thickness: 0.76mm, OD=3.50±0.10mm, colour: A.white
3. Conductor B: Tinned copper stranded, 19/0.254mm
4. Insulation B: PVC, Min.average thickness: 0.90mm, OD=3.30±0.10mm
colour: B1)red B 2)green B 3)orange B4)blue B5)yellow
5. Cabling: Filler: PP rope, Wrapping: Paper, OD(ref)=10.2mm
6. Jacket: HYTREL, Min.average thickness: 1.10mm, OD=12.95±0.50mm, colour: black
7. Marking on the surface: None

PROPERTY

ELECTRICAL CHARACTERISTICS

Voltage withstand test (kV/1min) AC 2.0
Max.DC conductor resistance(20°C)(Ω/km) A: 8.96 B: 23.2

PHYSICAL PROPERTIES

/

PACKING

200m/roll, the shortest length is 20m

Customer: IEWC

Customer P/N: ****

Drawing NO: O-8465

Version NO: C

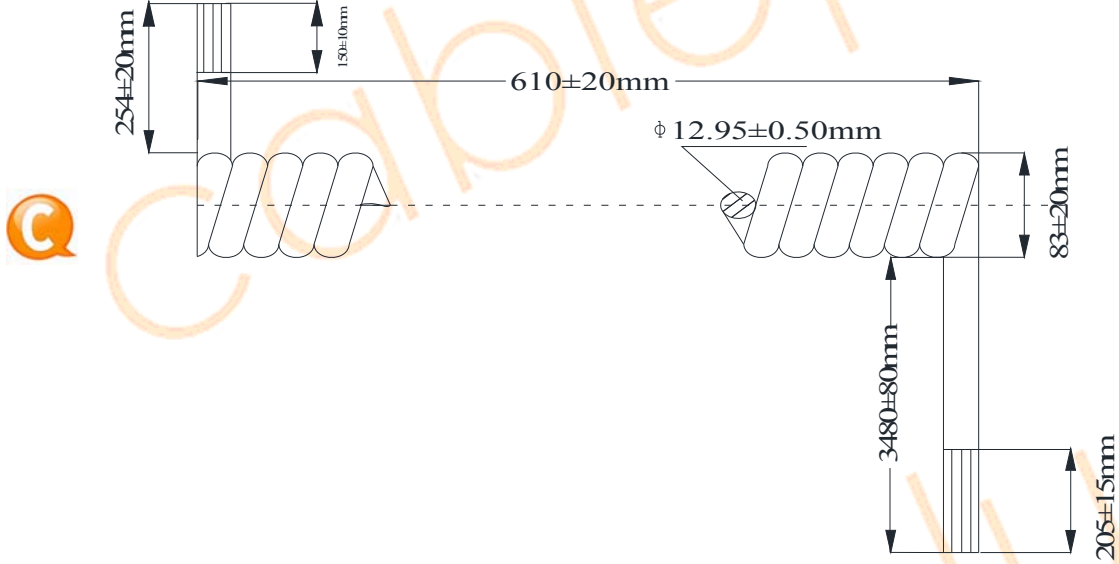
Name & Specification: Multi-core Cable 1C×14AWG(41/0.254T)+5C×18AWG(19/0.254T)

Customer Approved:

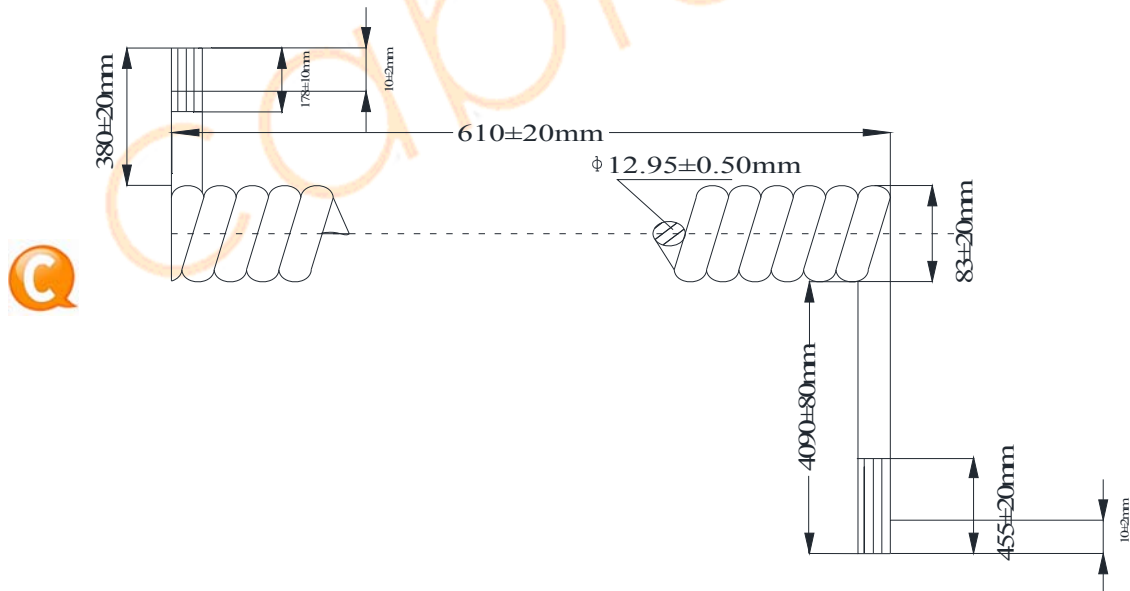
Date:

OTHERS

Spring Cable (A) :



Spring Cable (B) :



DRAWING: Yuan Yujia CHECKED: Chen Guojun APPROVED: Guo Yushuang DATE: 2016.2.2