

WIREMOLD®

OFR Series Overfloor Raceway

Multiple Services in a Low Profile Overfloor Raceway

OFR Series Overfloor Raceway System provides four-channels of capacity and access to a wide range of power, communications, and A/V connectivity options in the smallest, lowest, narrowest, ADA compliant profile available in overfloor raceway systems. This system installs over existing floor coverings and is both tamper-resistant and installer-friendly, making it an ideal solution for relocatable or permanent installations where access through floors and ceilings is not an option. There are also transition fittings to feed OFR Series Raceway from Wiremold wall-mounted raceway systems and Vista Architectural Columns. OFR Series Raceway accepts Wiremold Open System device plates that provide connectivity to a wide range of devices from leading communication and A/V providers.



OFR Series Raceway provides access to power, A/V, and communication services to open-space areas in an ADA compliant low profile design.

FEATURES & BENEFITS

- **Lowest profile overfloor raceway available.** Smaller, narrower, lower raceway profile reduces potential trip hazards while also being installer friendly to speed installations.
- **Installs in open space areas.** Provides power, communication, and A/V wiring to areas where in-floor or ceiling distribution are not accessible options.
- **Multiple channel base.** Four-channel raceway provides space for multiple combinations of power, communication and A/V to be provided through a single raceway installation.
- **Black powder coat finish.** Durable textured finish resists scuffing and scratches and blends with most decors.
- **Multiple options for communication and A/V connectivity.** OFR Series Raceway accepts Wiremold Open System device plates that provide connectivity to a wide range of devices from leading communication and A/V providers.
- **Re-energize abandoned poke-thru holes.** Brings a wide variety of services to the work surface by re-using existing openings from previous poke-thru installations.
- **Attaches directly to floor covering.** Works with carpet, tile, wood, etc. so there is no need to remove or alter existing floor coverings. Ideal for both temporary and permanent installations.
- **Multiple transition options.** Transition fittings are available to feed OFR Series Raceway from Wiremold DS4000™, 4000®, and 2400 Series™ wall-mounted raceway systems and also from Vista Architectural Columns.
- **Tamper-resistant system.** Raceway cover is difficult to remove without the proper tools, discouraging unwanted access to raceway-provided services.
- **Meets ADA Accessibility Guidelines.** Low profile, unobtrusive design meets the ADA Accessibility Guidelines that pertain to ADA Standard 4.5 which addresses changes in floor and ground surface levels.
- **cETLus Listed.**



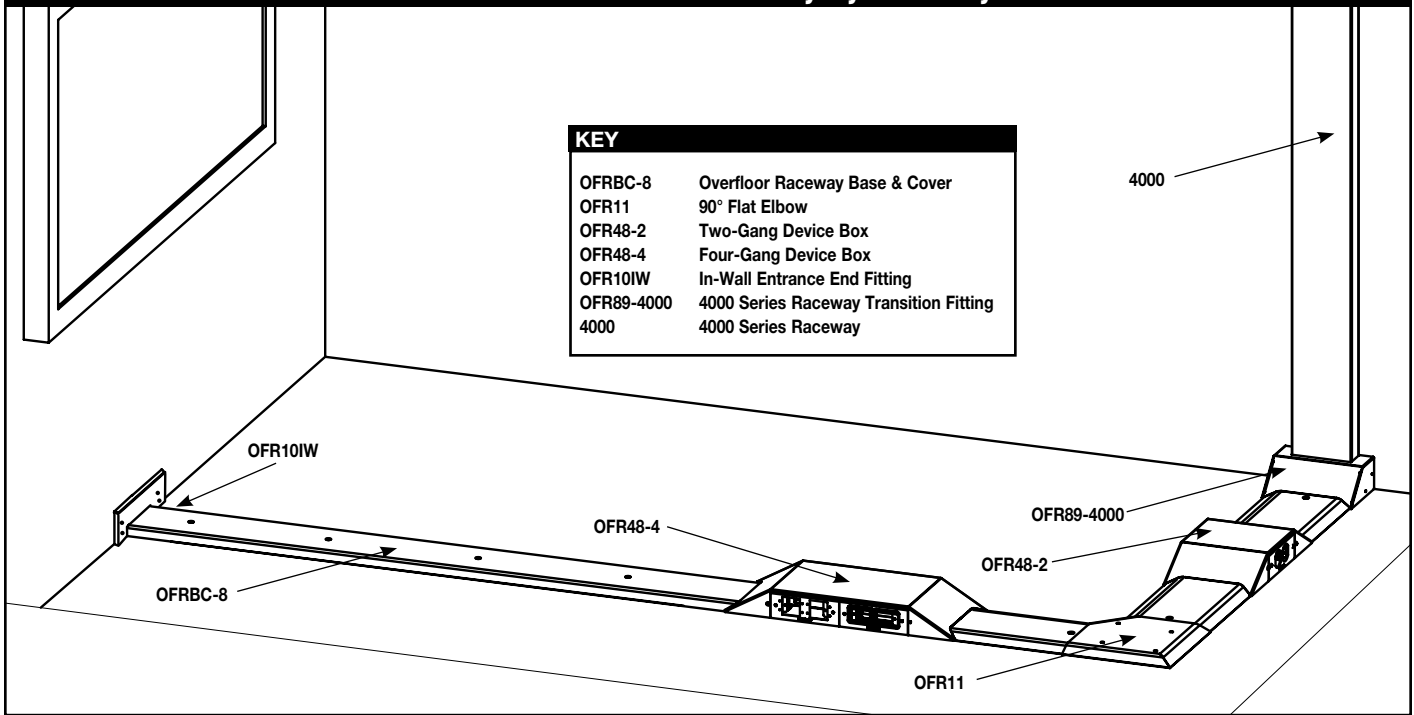
OFR Series Raceway OFRPT3 Poke-Thru Transition Fitting.



OFR Series Overfloor Raceway transition fittings for 2400 Series Raceway and through a wall.



OFR Series Overfloor Raceway System Layout



KEY	
OFRBC-8	Overfloor Raceway Base & Cover
OFR11	90° Flat Elbow
OFR48-2	Two-Gang Device Box
OFR48-4	Four-Gang Device Box
OFR10IW	In-Wall Entrance End Fitting
OFR89-4000	4000 Series Raceway Transition Fitting
4000	4000 Series Raceway

OFR Series Overfloor Raceway Wire Fill Capacities for Power*

WIRE SIZE THHN/THWN	O.D. Inches [mm]	WIRE CROSS-SECTIONAL AREA	# OF WIRES PER OUTER CHANNEL (40% FILL)	# OF WIRES PER OUTER CHANNEL w/OFR1 (40% FILL)	# OF WIRES PER OUTER CHANNEL w/OFR9 (40% FILL)	# OF WIRES PER INNER CHANNEL (40% FILL)
14 AWG	0.111 [2.8]	0.010	18	13	10	19
12 AWG	0.130 [3.3]	0.013	13	10	7	14
10 AWG	0.164 [4.2]	0.021	8	3	2	9
8 AWG	0.216 [5.5]	0.037	4	4	3	5

*For additional information refer to Technical Section of Wiremold Product Guide.

OFR Series Overfloor Raceway Wire Fill Capacities for Communications

	CABLE/WIRE SIZE	O.D. (Approx Dia.) Inches [mm]	WIRE CROSS-SECTIONAL AREA	# OF CABLES PER OUTER CHANNEL (40% FILL)	# OF CABLES PER OUTER CHANNEL w/OFR1 (40% FILL)	# OF CABLES PER OUTER CHANNEL w/OFR9 (40% FILL)	# OF CABLES PER INNER CHANNEL (40% FILL)
UNSHIELDED TWISTED PAIR	4-Pair, 24 AWG, Cat 3	0.190 [4.8]	0.028	6	4	3	6
	4-Pair, 24 AWG, Cat 5e	0.210 [5.3]	0.035	5	3	2	5
	4-Pair, 24 AWG, Cat 6	0.250 [6.4]	0.049	3	2	2	3
	4-Pair, 24 AWG, Cat 6a	0.354 [9.0]	0.098	1	1	1	2
COAXIAL	RG6/U	0.270 [6.9]	0.057	3	2	1	3
FIBER	ZipCord	0.118 x 0.236 [3 x 6]	0.025	7	5	3	7
	Round 4-Strand Fiber	0.187 [4.7]	0.027	6	4	3	6
	Round 6-Strand Fiber	0.256 [6.5]	0.051	3	2	1	3



Four-channel base of OFR Series Overfloor Raceway provides channels for multiple combinations of services.

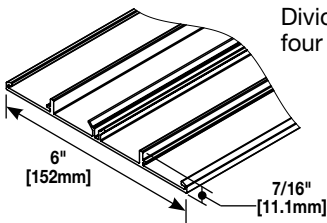
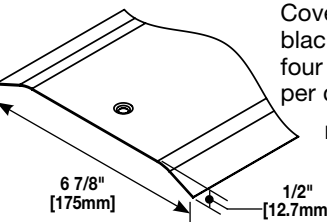
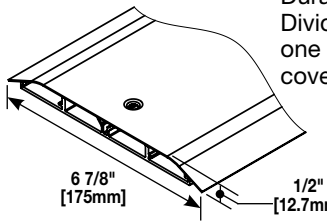
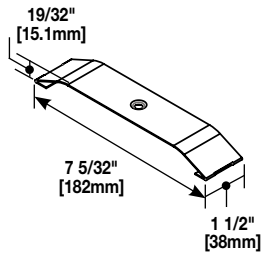
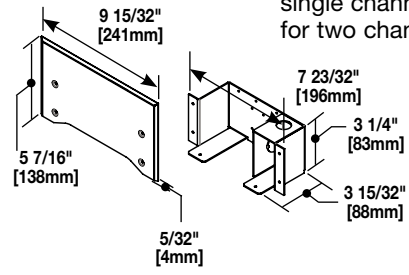
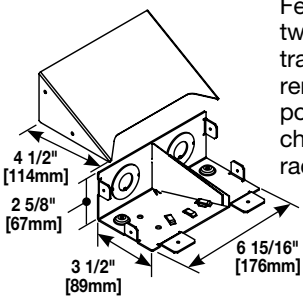
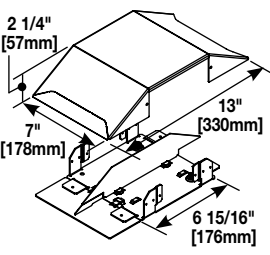
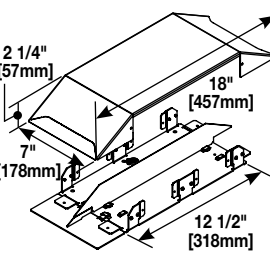
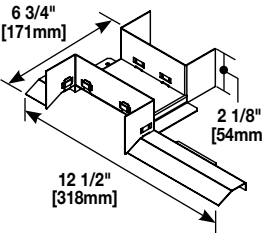
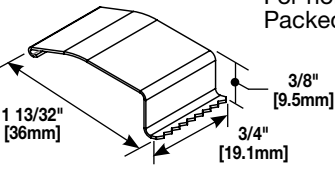


OFR Series Raceway features the lowest profile available in overfloor raceway systems.

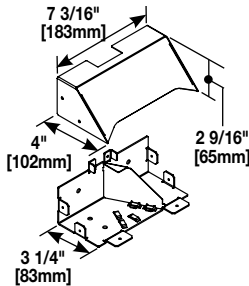
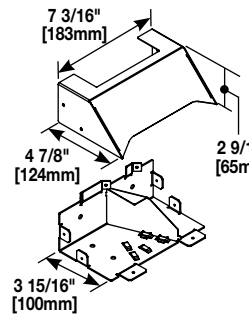
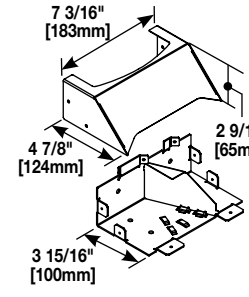
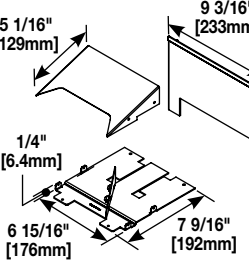
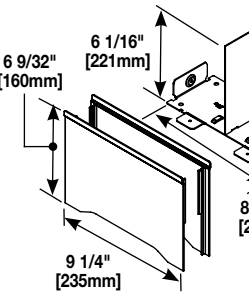
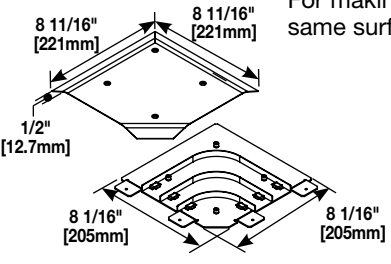
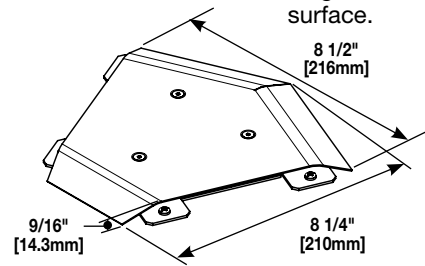
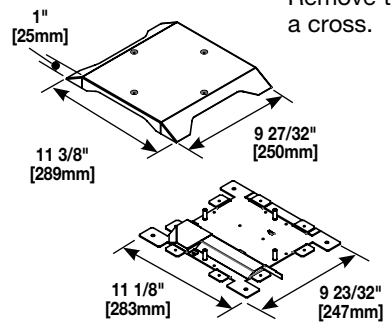
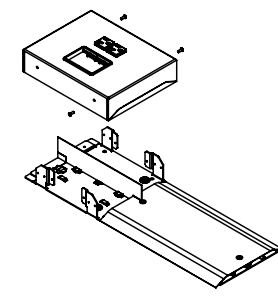


Tamper-resistant feature prevents unwanted access to raceway-provided services.

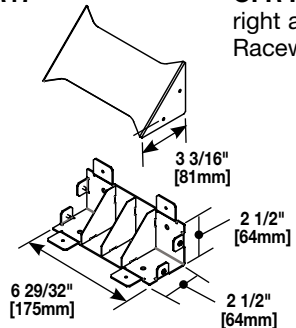
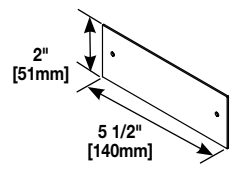
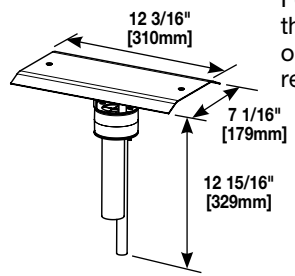
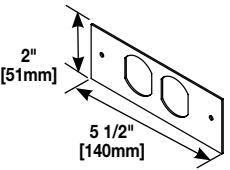
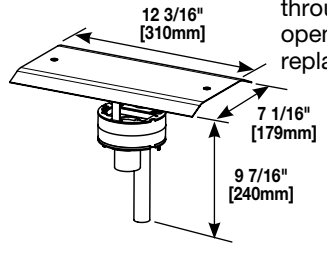
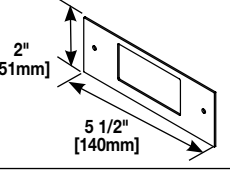
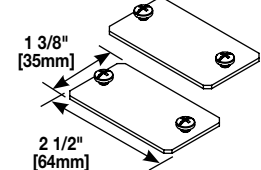
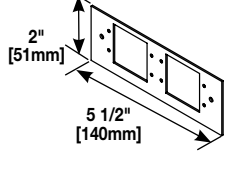
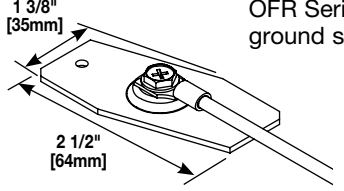
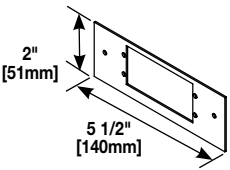
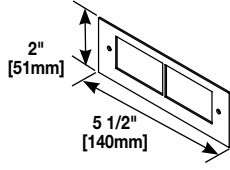
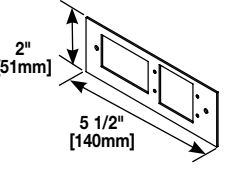
OFR Series Overfloor Raceway System Ordering Information

Catalog No./Item	Description/Specifications
<p>OFRB-8</p> 	<p>Overfloor Raceway Base – Base: 0.080" [2.0mm] aluminum. Divided into four channels. Packed four (4) 8' [2.4m] lengths per carton.</p> <p>NOTE: Not recommended for use in high traffic areas.</p>
<p>OFRFC-8</p> 	<p>Overfloor Raceway Cover – Cover: 0.040" [1.0mm] steel. Durable black powder coat finish. Packed four (4) 8' [2.4m] lengths of cover per carton.</p> <p>NOTE: Not recommended for use in high traffic areas.</p>
<p>OFRBC-8</p> 	<p>Overfloor Raceway Base & Cover – Cover: 0.040" [1.0mm] steel. Base: 0.080" [2.0mm] aluminum. Durable black powder coat finish. Divided into four channels. Packed one (1) 8' [2.4m] length of base and cover per carton.</p> <p>NOTE: Not recommended for use in high traffic areas.</p>
<p>OFR6</p> 	<p>Overfloor Raceway Seam Clip – Covers seam where two sections of OFR Series Overfloor Raceway cover come together.</p>
<p>OFR10IW</p> 	<p>Overfloor Raceway In-Wall Entrance End Fitting – Feeds OFR Series Overfloor Raceway from behind wall. Configurable to provide one or two channels of power. Has 1/2" trade size KO for single channel and 3/4" trade KO for two channel.</p>
<p>OFR10A</p> 	<p>Overfloor Raceway Entrance End Fitting – Feeds OFR Series Raceway. Has two (2) concentric 1/2" and 1 1/4" trade size KOs on end. Includes removable divider that can be positioned to feed any raceway channel. Can be used to feed raceway from wall or into furniture.</p>
<p>OFR48-2</p> 	<p>Overfloor Raceway 2-Gang Box – Divided two-gang device box. Allows multiple services (power, communication, A/V) at a single point-of-use. Side facing device mounting provides low profile, with space for large cable bend radius. Accepts OFR Series device plates. Removable divider can be aligned with any of the raceway channels.</p>
<p>OFR48-4</p> 	<p>Overfloor Raceway 4-Gang Box – Divided four-gang device box. Allows multiple services (power, communication, A/V) at a single point-of-use. Side facing device mounting provides low profile, with space for large cable bend radius. Accepts OFR Series device plates. Removable divider can be aligned with any of the raceway channels.</p>
<p>OFR48-4GX</p> 	<p>OFR Crossover Kit – Allows access to power and communication on both sides of OFR48-4 4-Gang Device Box.</p>
<p>OFRWC</p> 	<p>Overfloor Raceway Wire Clips – For holding conductors in place. Packed twelve (12) per pack.</p>

OFR Series Overfloor Raceway System Ordering Information

Catalog No./Item	Description/Specifications
<p>OFR89-2400</p> 	<p>OFR 2400 Raceway Transition – For connecting vertical runs of 2400 & 2400D Series Raceway with OFR Series Raceway. Includes removable divider that can be positioned to feed any raceway channel.</p>
<p>OFR89-4000</p> 	<p>OFR 4000 Raceway Transition – For connecting vertical runs of 4000 Series Raceway with OFR Series Raceway. Includes removable divider that can be positioned to feed any raceway channel.</p>
<p>OFR89-DS4000</p> 	<p>OFR DS4000 Raceway Transition – For connecting vertical runs of DS4000 Series Raceway with OFR Series Raceway. Includes removable divider that can be positioned to feed any raceway channel.</p>
<p>OFR89-VIS</p> 	<p>OFR Vista Point5 Transition – For connecting OFR Series Raceway to Vista Point5 Architectural Columns.</p>
<p>OFR89-VFL</p> 	<p>OFR Large Vista Transition – For connecting OFR Series Raceway to Vista Architectural Columns.</p>
<p>OFR11</p> 	<p>OFR Flat Elbow – For making right angle turns on the same surface.</p>
<p>OFR12</p> 	<p>OFR 45° Flat Elbow – For making diagonal 45° turns on the same surface.</p>
<p>OFR15</p> 	<p>OFR Tee/Cross – For branching OFR Series Raceway at right angles. Remove twistout on cover to make a cross.</p>
<p>OFR48-2MRTC</p> 	<p>OFR Transition Box – Allows cords and cables to make a smooth concealed transition to the underside of the table when used with the InteGreat™ Transition Channel (MRTC).</p>

OFR Series Overfloor Raceway System Ordering Information (continued)

Catalog No./Item	Description/Specifications	Catalog No./Item	Description/Specifications
OFR17	<p>OFR Inside Elbow – For internal right angle turns of OFR Series Raceway.</p>  <p>3 3/16" [81mm] 2 1/2" [64mm] 6 29/32" [175mm] 2 1/2" [64mm]</p>	OFR47-B	<p>OFR Blank Device Plate – For covering unused compartments in OFR48-2 and OFR48-4 Device Boxes.</p>  <p>2" [51mm] 5 1/2" [140mm]</p>
OFRPT3	<p>OFR 3 Inch Poke-Thru Transition – For bringing power, A/V, and data through abandoned Poke-Thru openings to open spaces. Will replace any 3" poke-thru.</p>  <p>12 3/16" [310mm] 7 1/16" [179mm] 12 15/16" [329mm]</p>	OFR47-D	<p>OFR Duplex Device Plate – For covering duplex style devices in OFR48-2 and OFR48-4 Device Boxes. Accepts 106 Frame.</p>  <p>2" [51mm] 5 1/2" [140mm]</p>
OFRPT4	<p>OFR 4 Inch Poke-Thru Transition – For bringing power, A/V, and data through abandoned Poke-Thru openings to open spaces. Will replace any 4" poke-thru.</p>  <p>12 3/16" [310mm] 7 1/16" [179mm] 9 7/16" [240mm]</p>	OFR47-R	<p>OFR Decorator Device Plate – For covering rectangular decorator style devices in OFR48-2 and OFR48-4 Device Boxes.</p>  <p>2" [51mm] 5 1/2" [140mm]</p>
OFR1	<p>OFR Coupling – Joins lengths of OFRB-8 OFR Series Raceway Base together. Sold in pairs.</p>  <p>1 3/8" [35mm] 2 1/2" [64mm]</p>	OFR47-U	<p>OFR Extron[®] MAAP Device Plate – Device plate that will accept up to four (4) Extron[®] Electronics MAAP style plates in OFR48-2 and OFR48-4 Device Boxes.</p>  <p>2" [51mm] 5 1/2" [140mm]</p>
OFR9	<p>OFR Grounding Clip – Connects equipment grounding conductor to provide ground to OFR Series Raceway. No. 10 ground screw provided.</p>  <p>1 3/8" [35mm] 2 1/2" [64mm]</p>	OFR47-V	<p>OFR Extron[®] AAP Device Plate – Device plate that will accept two (2) Extron[®] Electronics AAP single space modules.</p>  <p>2" [51mm] 5 1/2" [140mm]</p>
		OFR47-2A	<p>OFR Communications Device Plate – Device plate that will accept up to four (4) ports of communications devices. Includes adapters for Ortronics[®] TracJack, Series II, Pass & Seymour[®] Activate inserts and Wiremold Open System communication modules.</p>  <p>2" [51mm] 5 1/2" [140mm]</p>
		OFR47-U2A	<p>OFR Extron[®] MAAP-2A Combo Device Plate – Combination device plate that will accept up to two (2) Extron[®] Electronics MAAP style plates and up to two (2) ports of communications devices. Includes adapters for Ortronics[®] TracJack, Series II, Pass & Seymour[®] Activate inserts and Wiremold Open System communication modules.</p>  <p>2" [51mm] 5 1/2" [140mm]</p>

NOTES

NOTES



Electrical Wiring Systems

60 Woodlawn Street
West Hartford, CT 06110
Phone: 1.877.BY.LEGRAND (295-3472)
www.legrand.us

570 Applewood Crescent
Vaughan, Ontario L4K 4B4
Phone: 905.738.9195
www.legrand.ca

