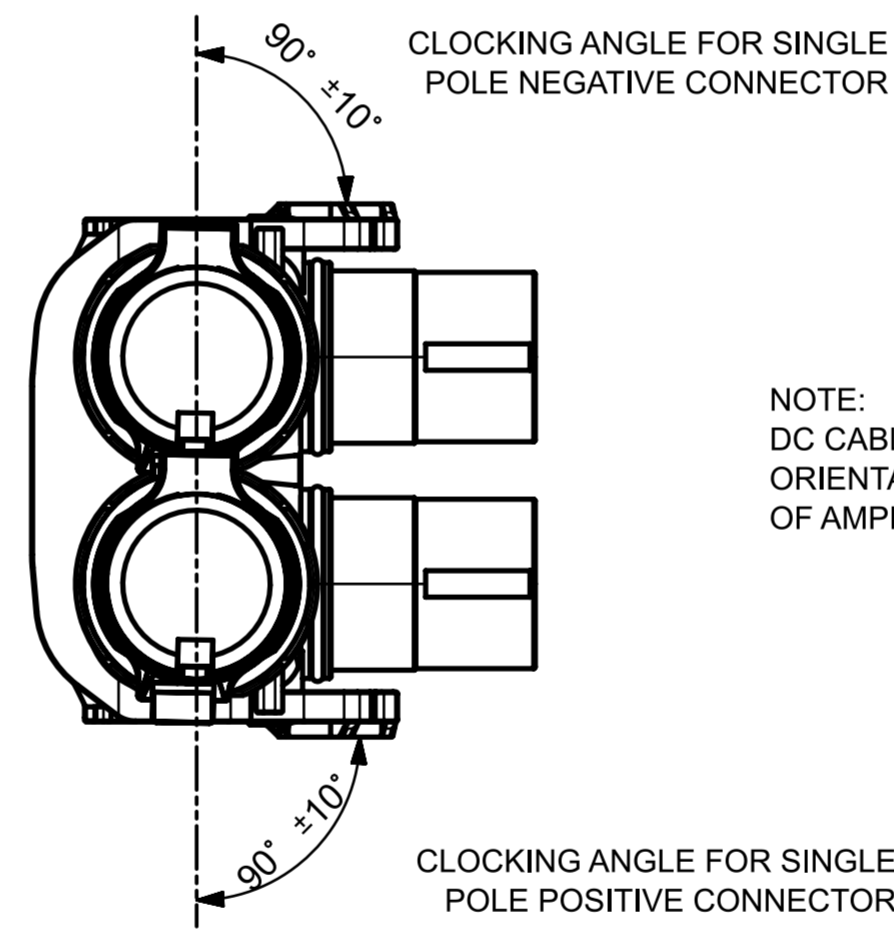
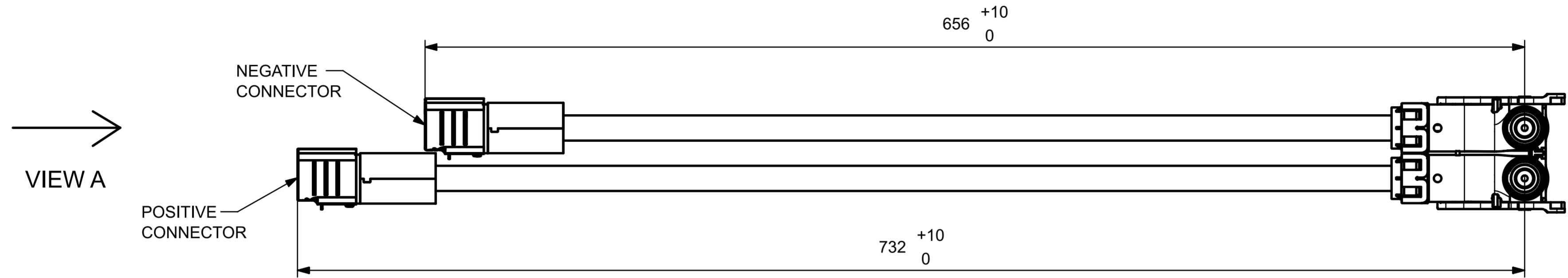


NOTES: UNLESS SPECIFIED OTHERWISE

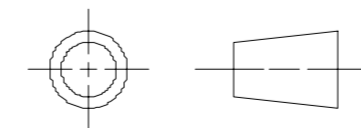
1. UTILIZE CRIMP DIES AS SPECIFIED FROM CONNECTOR MANUFACTURERS.
2. PARTS TO ARRIVE CLEAN AND FREE OF FOREIGN DEBRIS.
3. NO CHANGES TO COMPONENTS OR DRAWING DETAIL WITHOUT WRITTEN CONSENT FROM CZINGER.



NOTE:  
DC CABLE AMPHENOL SINGLE POLE HV CONNECTOR  
ORIENTATIONS SHOWN RELATIVE TO FLAT PLANE  
OF AMPHENOL HV CONNECTOR LATCH

VIEW A

COMPONENT NAME	PART NUMBER	QUANTITY	NOTES
AMPHENOL 2-WAY HV CONNECTOR	PL282X-301-50	1	
AMPHENOL SINGLE POLE HV CONNECTOR (POSITIVE)	SLPIPB50BSO2EH	1	
AMPHENOL SINGLE POLE HV CONNECTOR (NEGATIVE)	SLPIPB50BSO3EH	1	
HUBER & SUHNER 50MM <sup>2</sup> SHIELDED CABLE	84096257	--	



ALL DIMENSIONS IN MM

A	INITIAL RELEASE	29JUN23
REV	DESCRIPTION	DATE

DIVERGENT CONFIDENTIAL - UNDER NDA			
UNLESS OTHERWISE SPECIFIED			
	TOLERANCES		INTERPRET AS PER ASME Y14.5M-2009
	XX	± 0.5	UNMARKED ANGLES 90°
	XXX	± 0.25	SURFACE FINISH $\sqrt{3}$
	XXXX	± 0.1	TOLERANCES WILL BE ENFORCED
DRAWN BY	A. DARUD	TITLE	
DOCUMENT UNCONTROLLED IF PRINTED		CHECKED BY	FRONT RIGHT DC CABLE ASSY
MATERIAL		APPROVED BY	SIZE DWG NO. SHEET REV
WEIGHT		APPROVED BY	A2 P0032766 B
SURFACE FINISH		NOT TO SCALE	3D CAD MODEL IS MASTER SHEET 1 OF 1