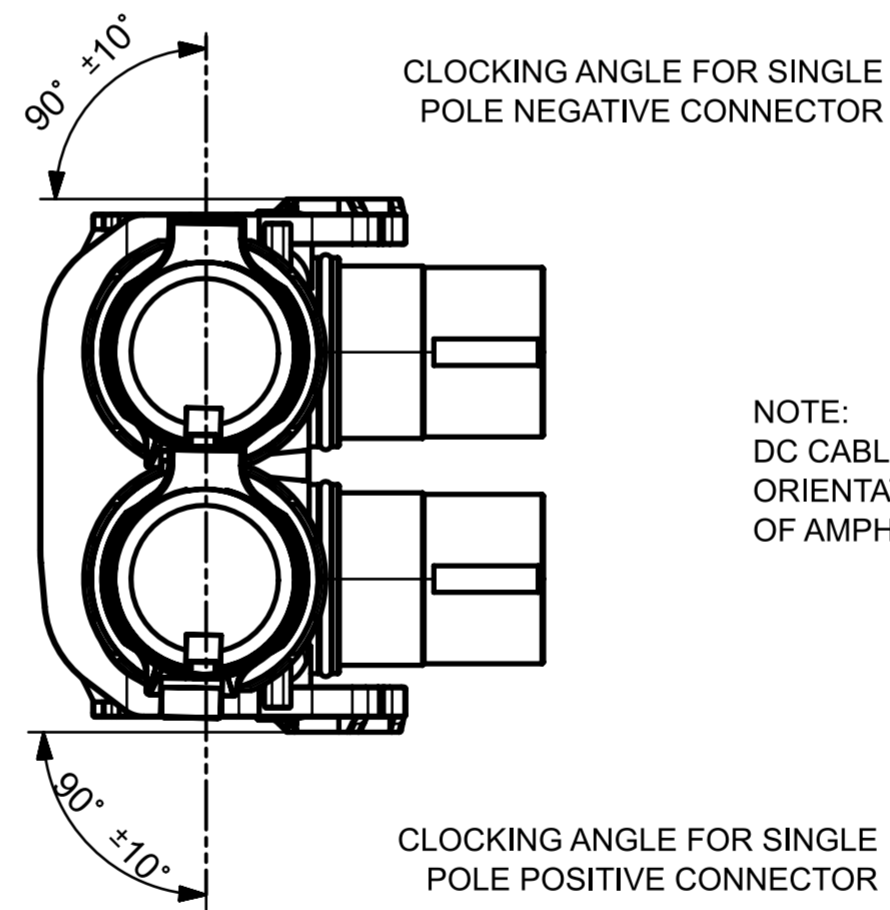
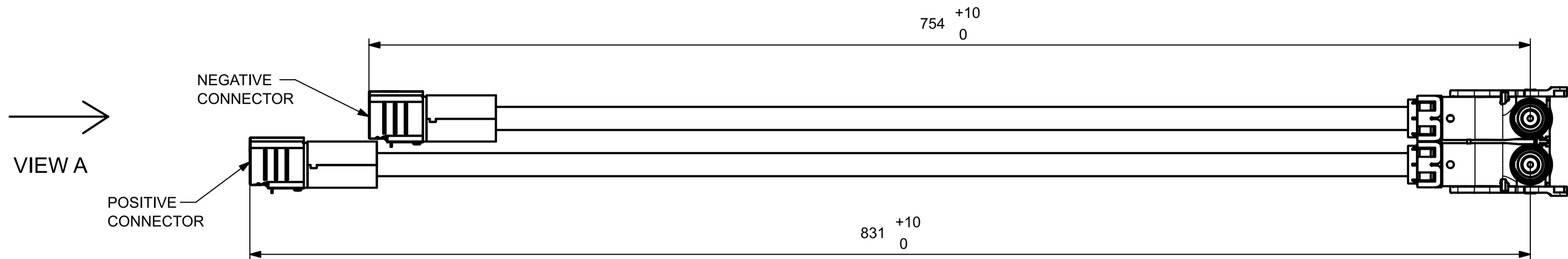


NOTES: UNLESS SPECIFIED OTHERWISE

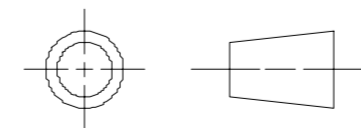
1. UTILIZE CRIMP DIES AS SPECIFIED FROM CONNECTOR MANUFACTURES
2. PARTS TO ARRIVE CLEAN AND FREE OF FOREIGN DEBRIS
3. NO CHANGES TO COMPONENTS OR DRAWING DETAIL WITHOUT WRITTEN CONSENT FROM CZINGER



NOTE:  
DC CABLE AMPHENOL SINGLE POLE HV CONNECTOR  
ORIENTATIONS SHOWN RELATIVE TO FLAT PLANE  
OF AMPHENOL HV CONNECTOR LATCH

VIEW A

COMPONENT NAME	PART NUMBER	QUANTITY	NOTES
AMPHENOL 2-WAY HV CONNECTOR	PL282X-301-50	1	
AMPHENOL SINGLE POLE HV CONNECTOR (POSITIVE)	SLPIPB50BSO2EH	1	
AMPHENOL SINGLE POLE HV CONNECTOR (NEGATIVE)	SLPIPB50BSO3EH	1	
HUBER & SUHNER 50MM <sup>2</sup> SHIELDED CABLE	84096257	--	



ALL DIMENSIONS IN MM

A	INITIAL RELEASE	29JUN23
REV	DESCRIPTION	DATE

DIVERGENT CONFIDENTIAL - UNDER NDA

UNLESS OTHERWISE SPECIFIED

TOLERANCES		INTERPRET AS PER ASME Y14.5M-2009
XX	± 0.5	UNMARKED ANGLES 90°
XXX	± 0.25	SURFACE FINISH 1/3
XXXX	± 0.1	TOLERANCES WILL BE ENFORCED

DRAWN BY A. DARUD		TITLE FRONT LEFT DC CABLE ASSY	
CHECKED BY		SIZE A2	DWG NO. P0032776
APPROVED BY C. WRIGHT		SHEET REV B	
APPROVED BY		3D CAD MODEL IS MASTER	
NOT TO SCALE		SHEET 1 OF 1	

DOCUMENT UNCONTROLLED IF PRINTED	
MATERIAL	
WEIGHT	
SURFACE FINISH	