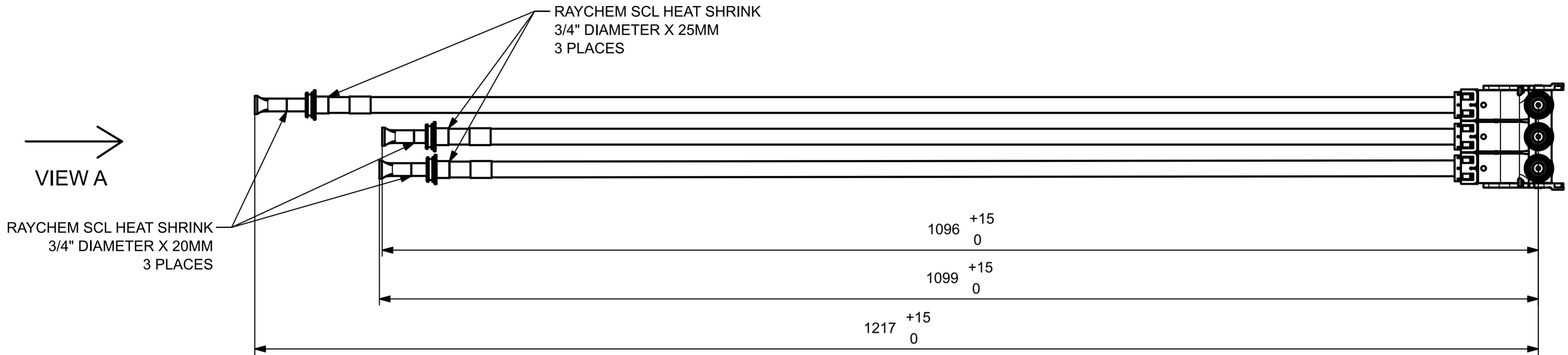
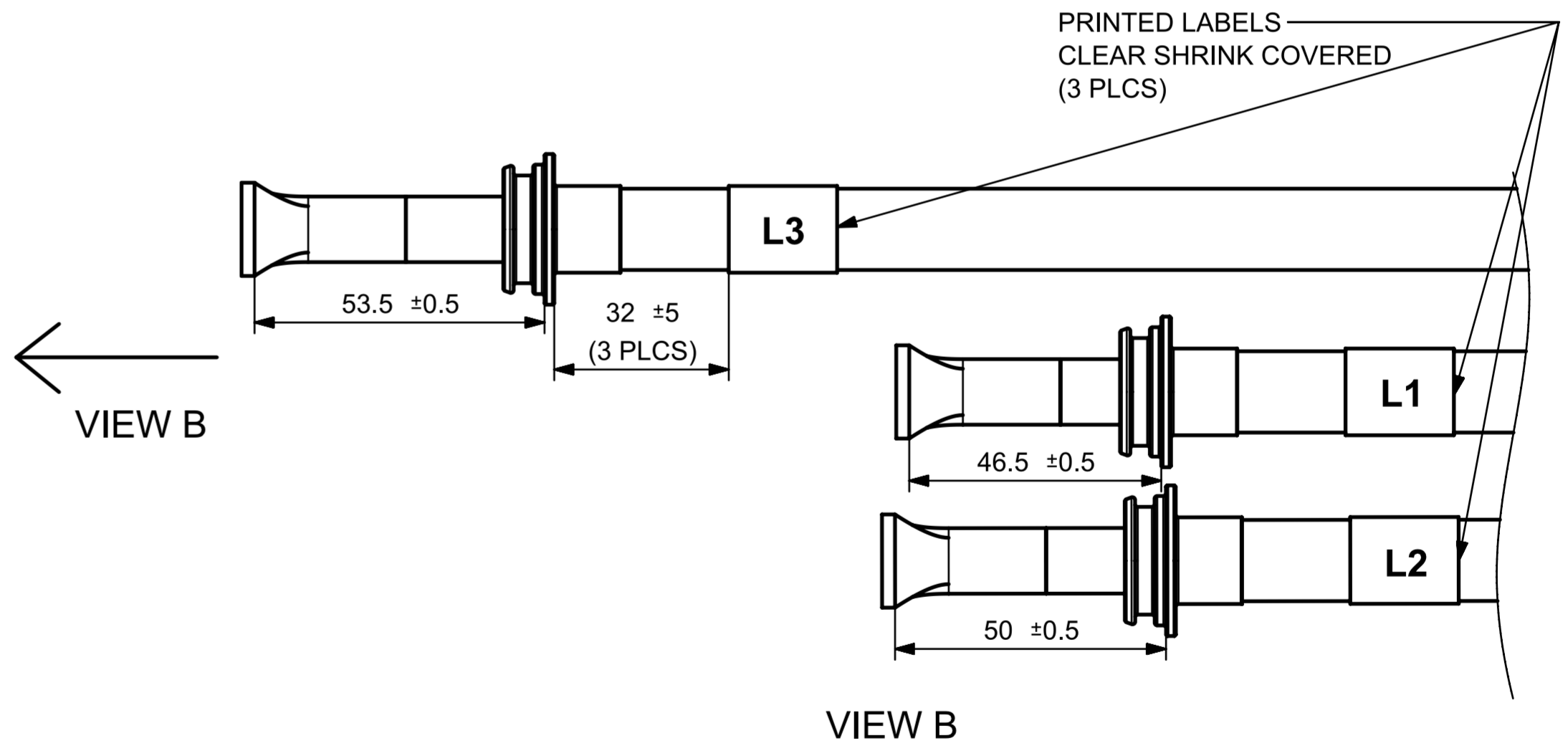
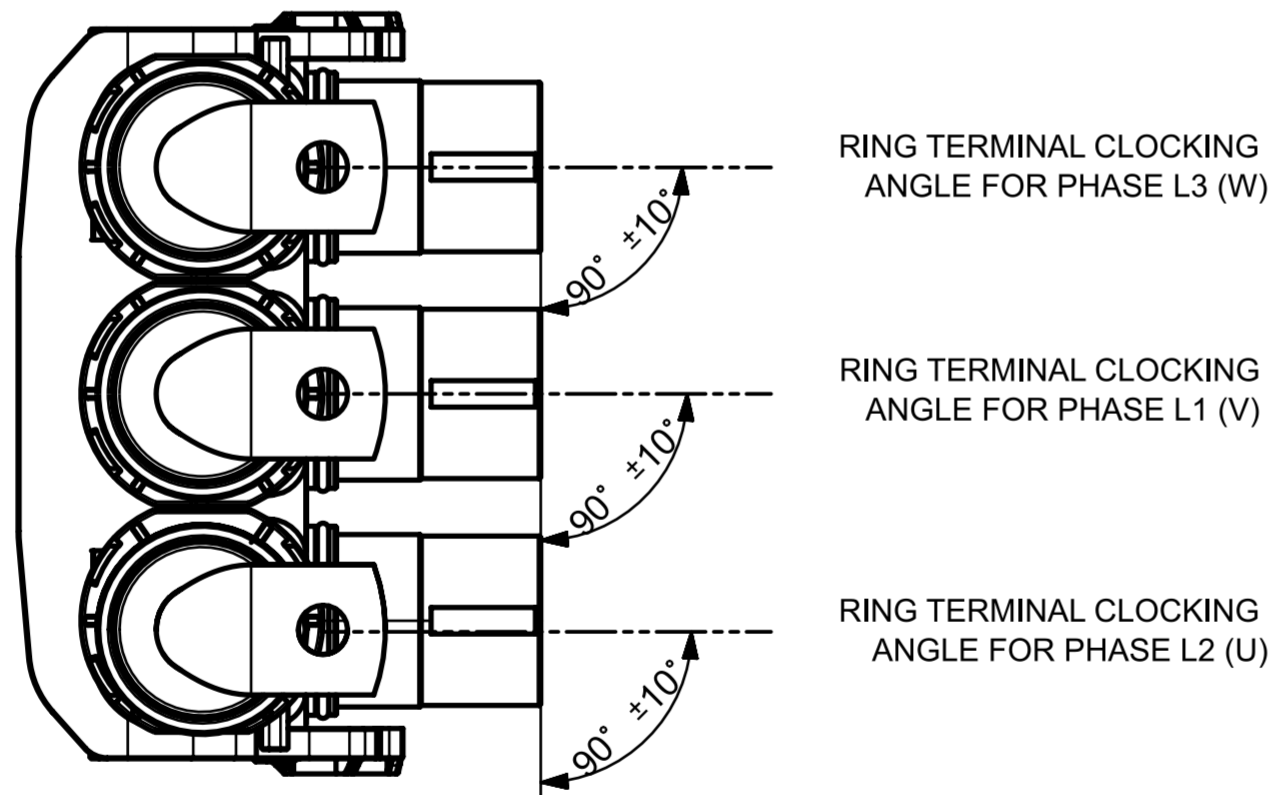


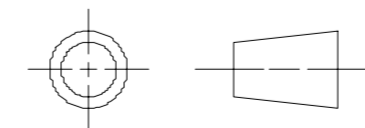
- NOTES: UNLESS SPECIFIED OTHERWISE
1. UTILIZE CRIMP DIES AS SPECIFIED FROM CONNECTOR MANUFACTURES.
 2. PARTS TO ARRIVE CLEAN AND FREE OF FOREIGN DEBRIS.
 3. NO CHANGES TO COMPONENTS OR DRAWING DETAIL WITHOUT WRITTEN CONSENT FROM CZINGER.



NOTE:
PHASE CABLE RING TERMINAL ORIENTATIONS SHOWN
RELATIVE TO FLAT PLANE OF AMPHENOL HV CONNECTOR TERMINALS



COMPONENT NAME	PART NUMBER	QUANTITY	NOTES
AMPHENOL 3-WAY HV CONNECTOR	PL283X-301-50	1	
CABLECRAFT RIGHT ANGLE RING TERMINAL	CCT50-6RA	3	
E-HELIX CABLE GLAND, 50MM ²	1AC35024	3	CUSTOM COMPONENT FROM E-HELIX
HUBER & SUHNER 50MM ² SHIELDED CABLE	84096257	--	



ALL DIMENSIONS IN MM

B	UPDATED V/U/W CONFIGURATION	07NOV23
A	INITIAL RELEASE	26JUN23
REV	DESCRIPTION	DATE

DIVERGENT CONFIDENTIAL - UNDER NDA	
UNLESS OTHERWISE SPECIFIED	
TOLERANCES	INTERPRET AS PER ASME Y14.5M-2009
XX ±0.5	UNMARKED ANGLES 90°
XXX ±0.25	SURFACE FINISH 3
XXXX ±0.1	TOLERANCES WILL BE ENFORCED

DRAWN BY A. DARUD	TITLE FRONT LEFT AC CABLE ASSY
CHECKED BY	SIZE A2
APPROVED BY C. WRIGHT	DWG NO. P0032818
APPROVED BY	SHEET REV B
NOT TO SCALE	3D CAD MODEL IS MASTER
	SHEET 1 OF 1

DOCUMENT UNCONTROLLED IF PRINTED	
MATERIAL	
WEIGHT	
SURFACE FINISH	