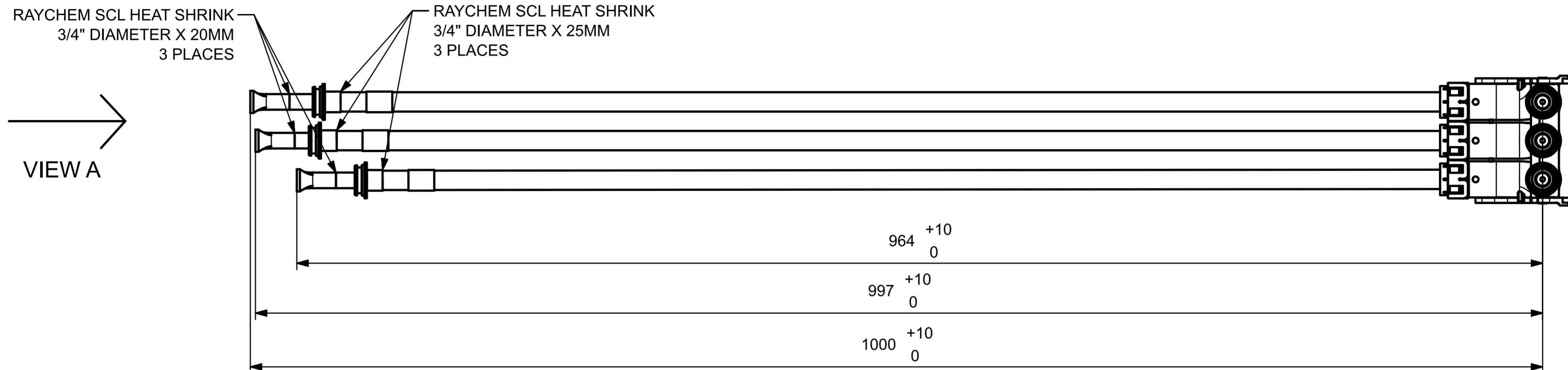
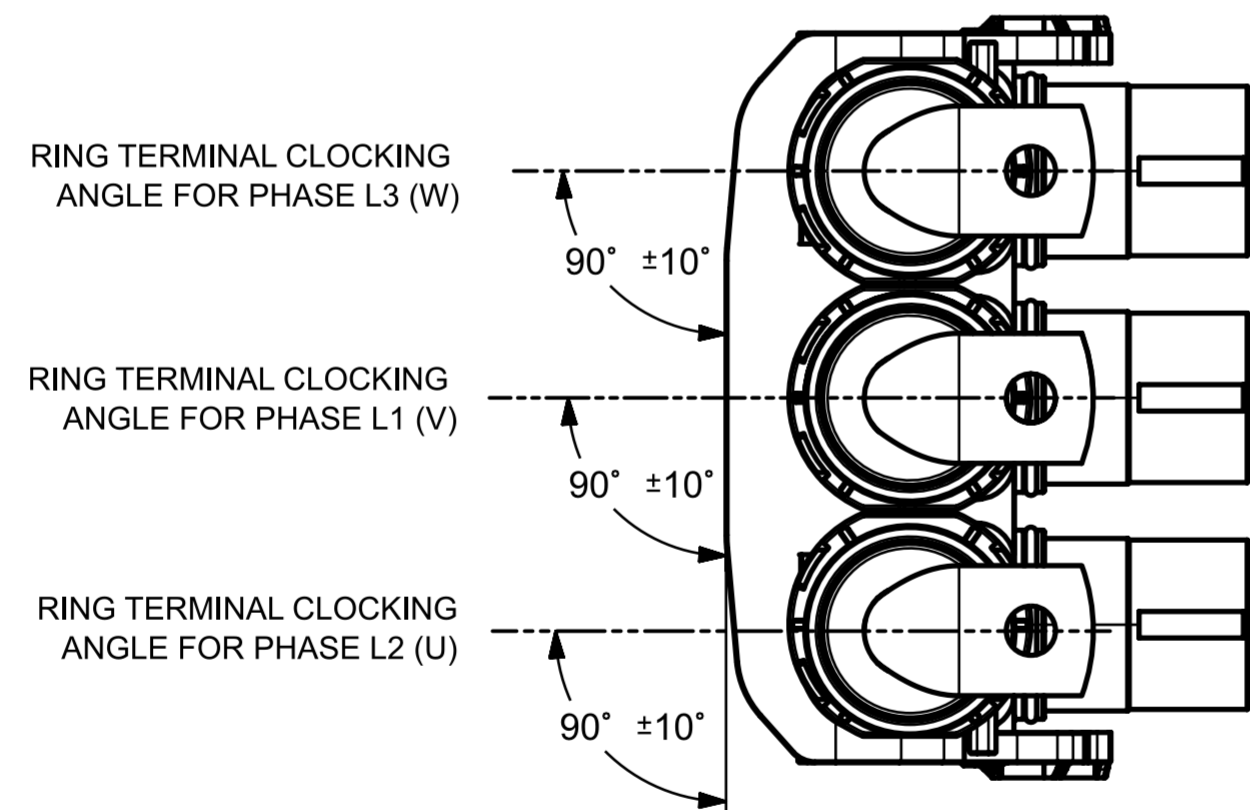


NOTES: UNLESS SPECIFIED OTHERWISE

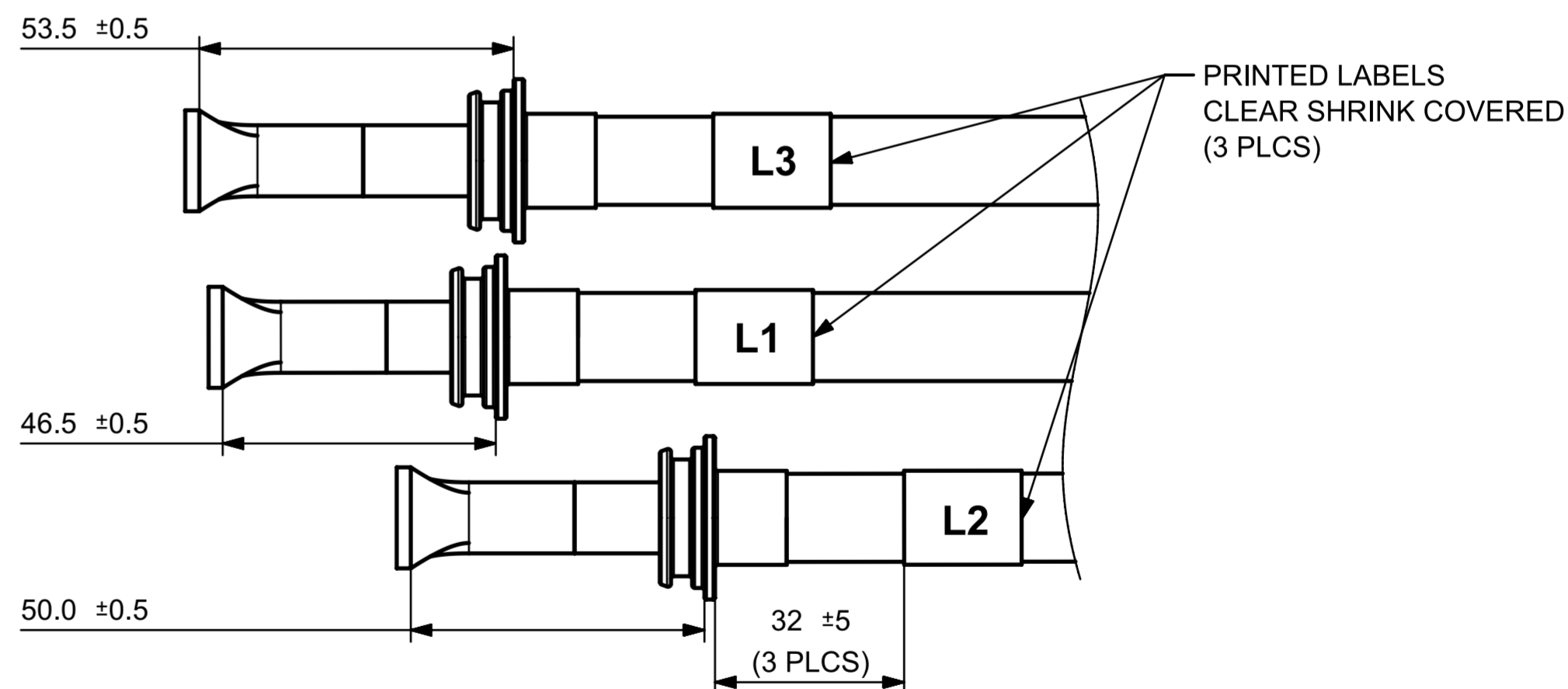
1. UTILIZE CRIMP DIES AS SPECIFIED FROM CONNECTOR MANUFACTURERS.
2. PARTS TO ARRIVE CLEAN AND FREE OF FOREIGN DEBRIS.
3. NO CHANGES TO COMPONENTS OR DRAWING DETAIL WITHOUT WRITTEN CONSENT FROM CZINGER.



NOTE:
PHASE CABLE RING TERMINAL ORIENTATIONS SHOWN
RELATIVE TO FLAT PLANE OF AMPHENOL HV CONNECTOR TERMINALS



VIEW A

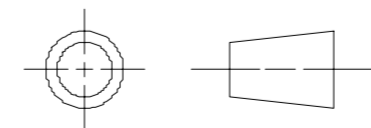


COMPONENT NAME	PART NUMBER	QUANTITY	NOTES
AMPHENOL 3-WAY HV CONNECTOR	PL283X-301-50	1	
CABLECRAFT RIGHT ANGLE RING TERMINAL	CCT50-6RA	3	
E-HELIX CABLE GLAND, 50MM ²	1AC35024	3	CUSTOM COMPONENT FROM E-HELIX
HUBER & SUHNER 50MM ² SHIELDED CABLE	84096257	--	

B	UPDATED V/U/W CONFIGURATION	07NOV23
A	INITIAL RELEASE	29JUN23
REV	DESCRIPTION	DATE

DIVERGENT CONFIDENTIAL - UNDER NDA	
UNLESS OTHERWISE SPECIFIED	
TOLERANCES	INTERPRET AS PER ASME Y14.5M-2009
XX	± 0.5
XXX	± 0.25
XXXX	± 0.1
UNMARKED ANGLES 90°	
SURFACE FINISH 6.3	
TOLERANCES WILL BE ENFORCED	

DRAWN BY A. DARUD	TITLE REAR INVERTER AC CABLE ASSY
CHECKED BY	SIZE A2
APPROVED BY C. WRIGHT	DWG NO. P0032838
APPROVED BY	SHEET REV B
NOT TO SCALE	3D CAD MODEL IS MASTER
	SHEET 1 OF 1



ALL DIMENSIONS IN MM

DOCUMENT UNCONTROLLED IF PRINTED	
MATERIAL	
WEIGHT	
SURFACE FINISH	