

P0698474

90-08-06 DKA68076
 S.L. LIS. |
 DIM P13, RED & WHITE
 JACKETS, 2-22 AWG
 92-05-06 CL: E
 DKA62058

WIP
 2
 SLIT OVER WHITE AND
 BLACK JACKETS, EXPOSED WIRE
 BODY UNARMED.
 CL: E
 92/08/23 DVA6217

WG PRD 3

91-01-03 WAS 3IN. AL.
 AT NOTE 2 "P.E." OR
 GALT 1 "OR PINK", ROLLED

CL: B
 91-05-07 ECH94050
 PRD 4

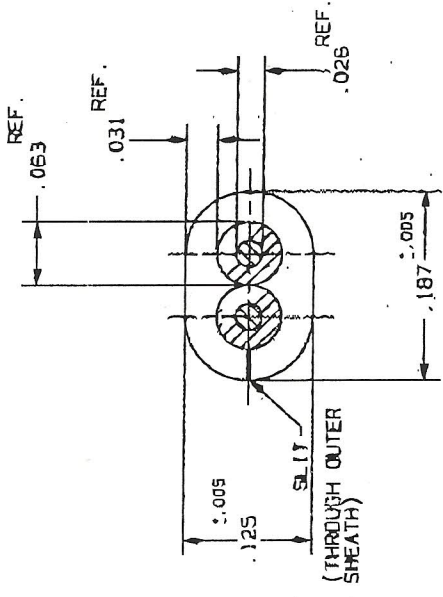
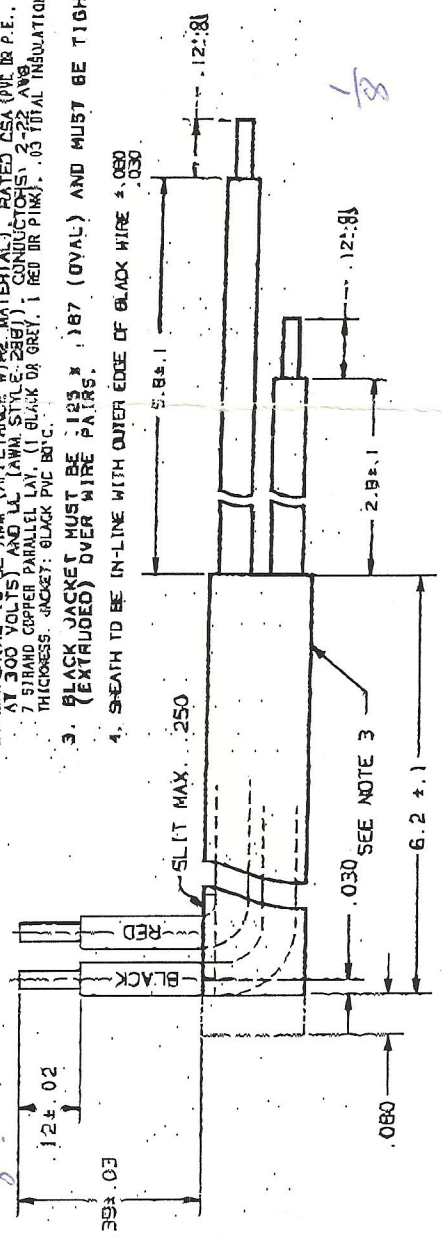
MATERIAL INFORMATION
 TEST PROBE ASSY
 LEAD ASSY
 P0698475

5/1

CABLE

P0698474

- NOTES:
1. UNLESS OTHERWISE SPECIFIED, ALL DIMENSIONS ARE EXPRESSED IN INCHES.
 2. MATERIAL TO BE AWG (APPLIANCE WIRE MATERIAL), RATED CSA (PVC OR P.E., 60°C AT 300 VOLTS) AND UL (AWG STYLE 2887), CONDUCTORS, 2-22 AWG.
 3. 3-STRAND COPPER PARALLEL LAY, (1 BLACK OR GREY, 1 RED OR PINK), .03 TOTAL INSULATION THICKNESS, JACKETS: BLACK PVC BVC.
 4. BLACK JACKET MUST BE .187 (OVAL) AND MUST BE TIGHTLY (EXTRUDED) OVER WIRE PAIRS.
 5. SHEATH TO BE IN-LINE WITH OUTER EDGE OF BLACK WIRE ±.030



SCALE 10 : 1

QTY	IDENT. NO.	DESCRIPTION	STOCK LIST	FINISH
3				
2				
1				

SEE NOTE 2

25