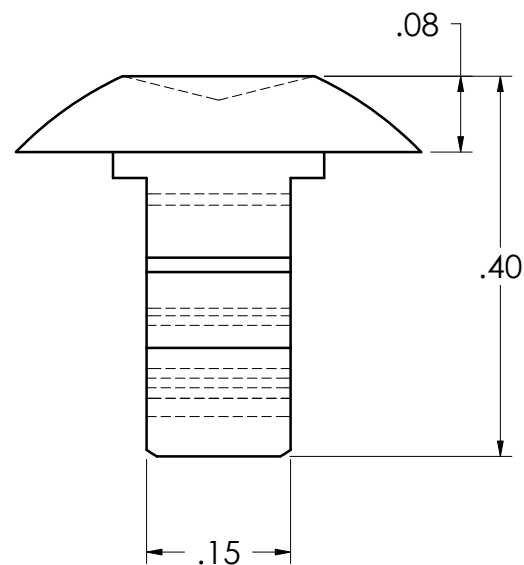
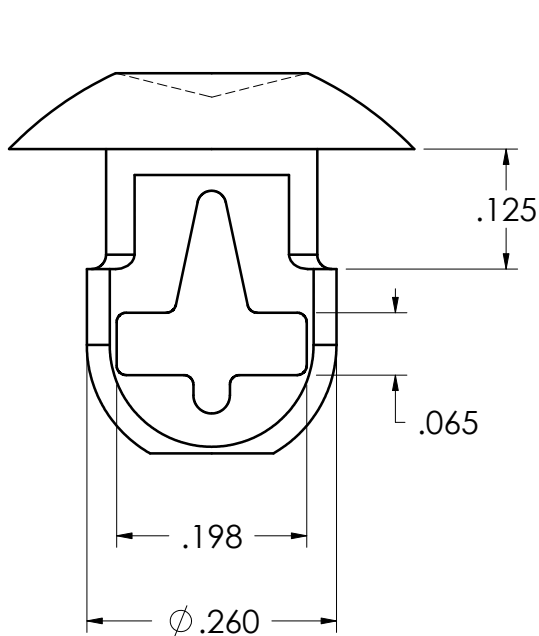
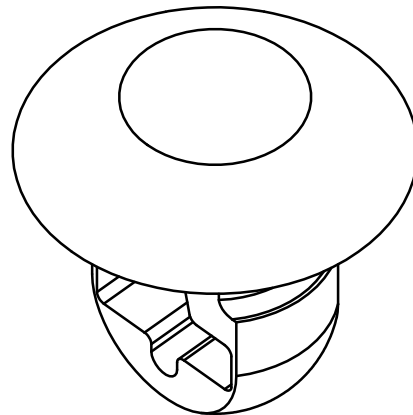
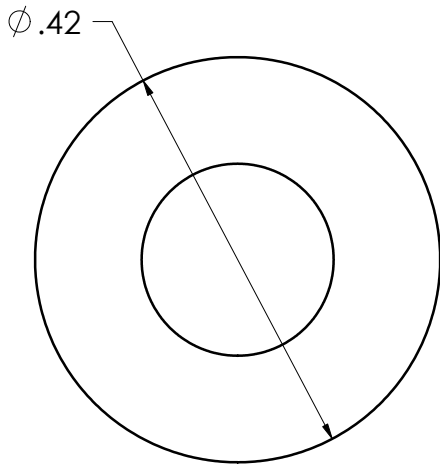


name	date	city, state

NOTES



PART NUMBER DESCRIPTION

PBM
 COLOR (CONTACT FACTORY FOR AVAIL. COLORS)

CABLE TIE SERIES	MAX. PANEL THICKNESS	MOUNTING HOLE DIA.
T18 thru T50	11 GA (.120)	.250

REVISION	D level	01
	AW by	AAM
	IN date	10/20/00
	NG ECN #	002199
	part level	A

DIMENSIONS	TOLERANCES	.xxxx = ±.0005/[±.013]
		.xxx = ±.005/[±.13]
		.xx = ±.01/[±.3]
		.x = ±.03/[±.8]
		∠ = ±0.5°
	unless otherwise specified	
	units	inches / [mm]

PART	number	PBM	phase	PRODUCTION
	name			
	PBM PUSH BUTTON MOUNT			
	material			
NYLON 6/6				

DRAWING	format	version	M	AV	CAD	SW	scale	5:1
	computer file number	MT2008001CST_01						
	previous number							
	drawn by	A.A.M.						
	date	10/20/00						
	type	CUSTOMER						sheet 1 of 1
number	MT2008001CST							