

# INSTRUCTION SHEET

## PCDB-90-1.5-12

### 90 DEGREE MOUNTING BRACKET FOR 1.5" WIDE PLASTIC CABLE DUCTS



#### PARTS

#### MOUNTING BRACKET



#### PART

A

#### QTY

12

#### MOUNTING SCREWS



#### PART

B

#### QTY

36

#### OVAL NUT



#### PART

C

#### QTY

24

#### FLANGE NUT



#### PART

D

#### QTY

12

#### TOOLS REQUIRED

- #2 Phillips Driver
- 3/8" Wrench

#### INSTALLATION

- 1) Loosely attach a Mounting Screw (B) to an Oval Nut (C) onto the Mounting Bracket (A). (FIGURE A)

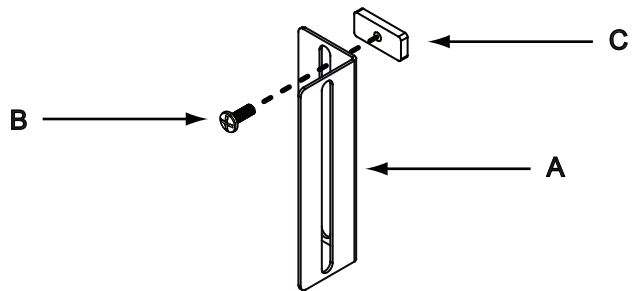


FIGURE A

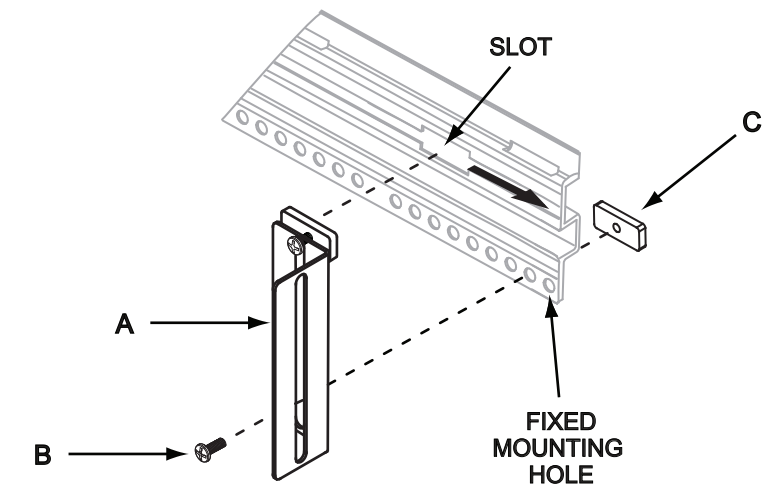


FIGURE B

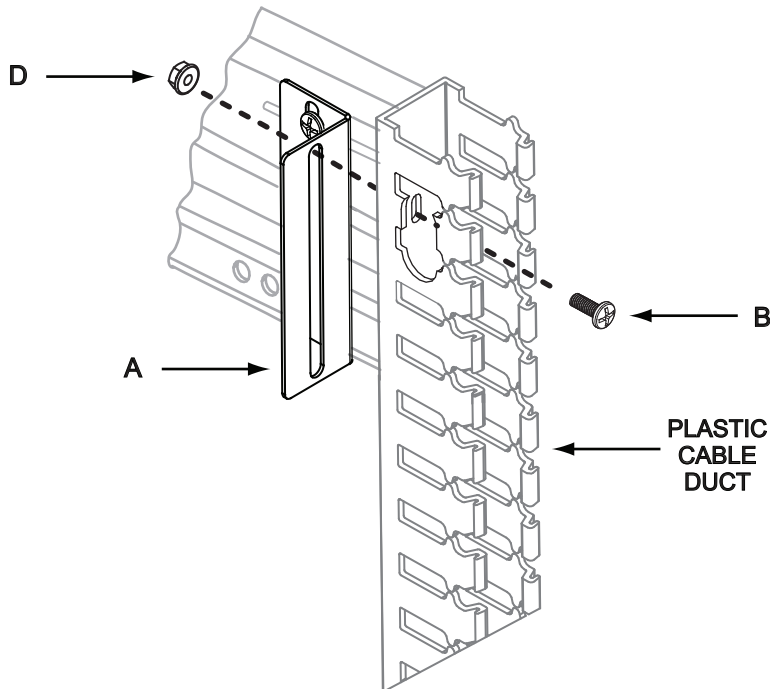
- 2) Insert the previously installed Oval Nut into the slot and slide the Bracket (A) to the desired location. Mount the Bracket into the fixed mounting hole using a Mounting Screw (B) and an Oval Nut (C). Fully tighten all Mounting Screws with a #2 Phillips Driver. (FIGURE B)

## **INSTALLATION CONTINUED**

- It is recommended that three Mounting Brackets are used per Plastic Cable Duct -

3) Install the Plastic Cable Duct to the Mounting Bracket (A) using a Mounting Screw (B) and a Flange Nut (D).  
(FIGURE C)

NOTE: A 3/8" wrench can be used on the Flange Nut to secure the Plastic Cable Duct to the Mounting Bracket.



**FIGURE C**

### **WARRANTY**

Middle Atlantic Products, Inc. (the "Company") warrants the PCDB-90-1.5-12 Bracket to be free from defects in material or workmanship under normal use and conditions for the lifetime of the product.

The Company's entire liability to the purchaser, and the purchaser's (or any other party's) sole and exclusive remedy, under this warranty shall be limited, at the Company's option, to either (a) return of and refund of the price paid for, or (b) repair or replacement at the Company's factory of the products purchased, or any part or parts thereof, which the Company has determined to be defective after inspection thereof at the Company's factory. This warranty does not cover damage due to acts of God, accident, misuse, abuse or negligence by parties other than the Company, or any modification or alteration of the products. In addition, this warranty does not cover damage due to improper handling, assembly, installation or maintenance.

THIS WARRANTY IS IN LIEU OF ALL OTHER WARRANTIES OF ANY KIND, EITHER EXPRESSED OR IMPLIED, INCLUDING, BUT NOT LIMITED TO, IMPLIED WARRANTIES OF MERCHANTABILITY AND FITNESS FOR A PARTICULAR PURPOSE.

TO THE MAXIMUM EXTENT PERMITTED BY APPLICABLE LAW, IN NO EVENT SHALL THE COMPANY BE LIABLE FOR ANY SPECIAL, INCIDENTAL, INDIRECT, OR CONSEQUENTIAL DAMAGES WHATSOEVER (INCLUDING, WITHOUT LIMITATION, DAMAGES FOR LOSS OF BUSINESS PROFITS, BUSINESS INTERRUPTION OR ANY OTHER PECUNIARY LOSS) ARISING OUT OF THE USE OF THE PRODUCTS PURCHASED, EVEN IF THE COMPANY HAS BEEN ADVISED OF THE POSSIBILITY OF SUCH DAMAGES. THE COMPANY'S LIABILITY TO THE PURCHASER (OR ANY OTHER PARTY) HEREUNDER, IF ANY, SHALL IN NO EVENT EXCEED THE PURCHASE PRICE OF THE PRODUCTS PAID TO THE COMPANY.

### **Corporate Headquarters**

Corporate Voice 973-839-1011 - Fax 973-839-1976 / International Voice +1 973-839-8821 - Fax +1 973-839-4982  
middleatlantic.com - info@middleatlantic.com

### **Middle Atlantic Canada**

Voice 613-836-2501 - Fax 613-836-2690 / middleatlantic.ca - contactcanada@middleatlantic.com

### **Factory Distribution**

USA: NJ - CA - IL Canada: ON - BC

**At Middle Atlantic Products we are always listening. Your comments are welcome.**

Middle Atlantic Products is an ISO 9001 Registered Company.



30% Recycled Paper