



middleatlantic.com

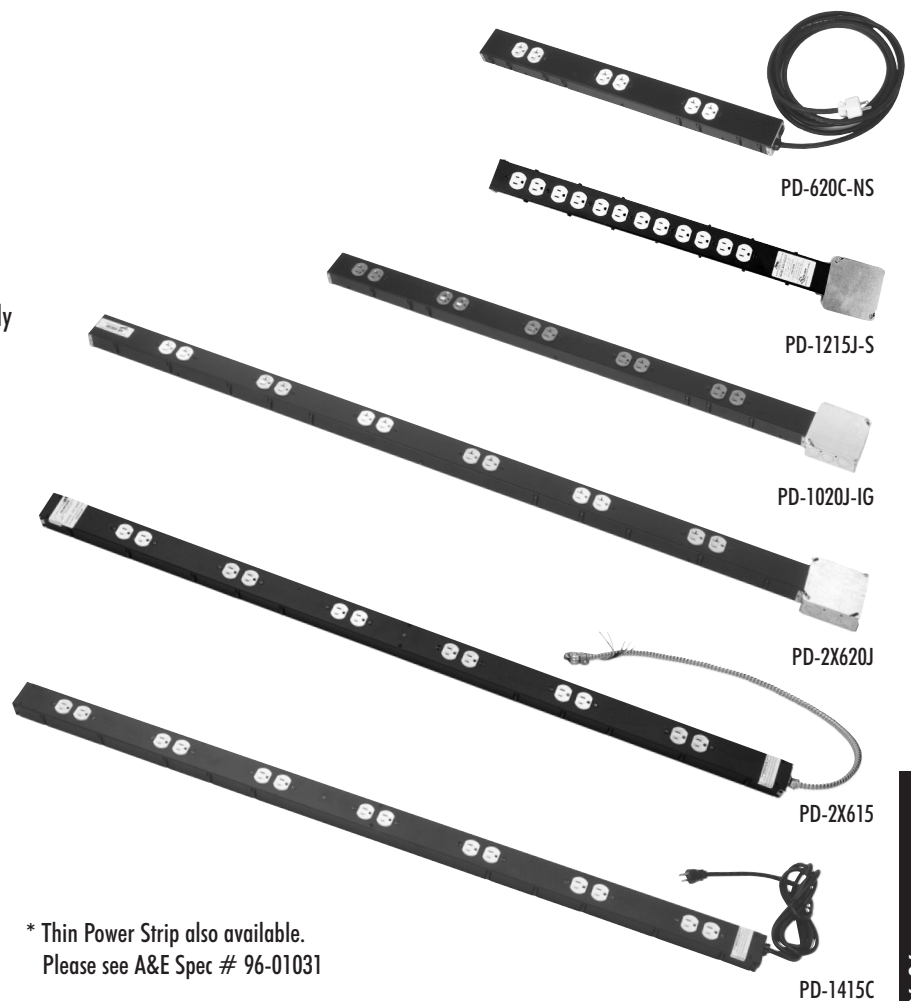
Vertical Power Strips



Middle Atlantic Products Vertical Power Strips

Features

- Both 15 and 20 amp circuits available
- Multiple termination choices: cord with plug, metal flex with tails, or J-Box
- Enhanced surge protection eliminates potentially damaging ground contamination and noise
- Isolated ground circuits available
- Available in 3 different lengths with multiple mounting lances and "quick-clips" to enable mounting in any enclosure
- Multiple MOV surge and spike protection, EMI filtering, and circuit breaker available
- Single and multiple circuit strips available
- Durable black powder coat finish
- Custom power strips available on request



* Thin Power Strip also available.
Please see A&E Spec # 96-01031

Architects' and Engineers' Specifications

Vertical power strip shall be Middle Atlantic Products model # PD-_____ (refer to chart). Vertical power strip chassis shall be 16-gauge steel, phosphate pre-treated and finished in a black powder coat (see chart for additional components). Vertical power strip shall have _____ amp (e.g. Strip shall have six 15 amp) outlets on _____ circuit(s), terminated with _____ (see chart for outlet, termination and additional feature details). Enhanced surge protection shall eliminate potentially damaging ground contamination and noise. Vertical power strip shall be NRTL Listed to applicable UL Standards in the US and Canada. Vertical powerstrips shall be RoHS EU Directive 2002/95/EC compliant. Vertical powerstrip shall be warrantied to be free from defects in material or workmanship under normal use and conditions for a period of 3 years.

OPTIONS

- Model # PB-90, adaptor brackets to mount power strips so outlets face front or back of any rack*
- Model # PB-5A, adapter brackets to mount power strips to rackrail of SLIM 5 and AXS Series racks (pair) or rackrail of any rack
- Model # PB-DWR, adapter brackets to mount power strips in DWR Series wall racks (pair)
- Custom power strips available on request

* Requires LBFR-5A-xx to mount inside SLIM 5 or AXS Series racks

customizable specification clips available at middleatlantic.com

Exceptional Support & Protection Products™

US: New Jersey ▪ California ▪ Illinois ▪ Voice: 973-839-1011 Fax: 973-839-1976 ▪ middleatlantic.com
Canada: Ontario ▪ British Columbia ▪ Voice: 613-836-2501 Fax: 613-836-2690 ▪ middleatlantic.ca

Specifications for Hard-Wired Vertical Power Strips



PD-2X615

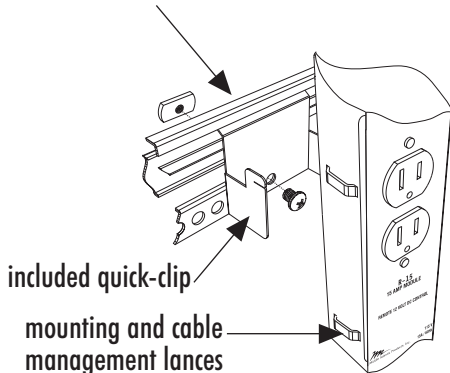
| PART # | NUMBER OF OUTLETS | CIRCUITS | NEMA OUTLET TYPE | OUTLETS ACCOMMODATE (NEMA) | WIRE GAUGE | TERMINATION | ISOLATED GROUND | CIRCUIT ARRANGEMENT |
|-------------|-------------------|------------|------------------|----------------------------|------------|----------------|-----------------|-------------------------|
| PD-620J-IG | 6 (3 DUPLEX) | (1) 20 AMP | 5-20R | 5-15P & 5-20P | 12 | J-BOX | YES | 1-1-1-1-1-1 |
| PD-1020J-IG | 10 (5 DUPLEX) | (1) 20 AMP | 5-20R | 5-15P & 5-20P | 12 | J-BOX | YES | 1-1-1-1-1-1-1-1-1-1 |
| PD-1220J | 12 (6 DUPLEX) | (1) 20 AMP | 5-20R | 5-15P & 5-20P | 12 | J-BOX | NO | 1-1-1-1-1-1-1-1-1-1-1-1 |
| PD-1220J-IG | 12 (6 DUPLEX) | (1) 20 AMP | 5-20R | 5-15P & 5-20P | 12 | J-BOX | YES | 1-1-1-1-1-1-1-1-1-1-1-1 |
| PD-2X620J | 12 (6 DUPLEX) | (2) 20 AMP | 5-20R | 5-15P & 5-20P | 12 | J-BOX | NO | 1-1-2-2-1-1-2-2-1-1-2-2 |
| PD-2X615 | 12 (6 DUPLEX) | (2) 15 AMP | 5-15R | 5-15P | 14 | 3/8" FLEX TAIL | NO | 1-1-2-2-1-1-2-2-1-1-2-2 |
| PD-1215 | 12 (6 DUPLEX) | (1) 15 AMP | 5-15R | 5-15P | 14 | 3/8" FLEX TAIL | NO | 1-1-1-1-1-1-1-1-1-1-1-1 |
| PD-1215J-S | 12 (6 DUPLEX) | (1) 15 AMP | 5-15R | 5-15P | 14 | J-BOX | NO | 1-1-1-1-1-1-1-1-1-1-1-1 |

Additional Specifications for all Products Listed Above:

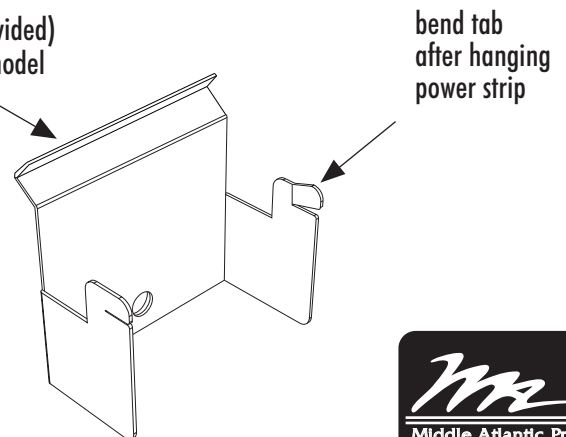
- UL standard 5, file #E174334
- Flex tails shall be flexible electrical metallic tubing, 3 feet long with a minimum of 6 inches of conductor extending from end. Connectors shall be included.
- Power strips with isolated ground shall have an insulated ground conductor connected to all outlet ground terminals and a separate ground conductor connected to chassis ground stud. Both ground conductors shall extend into J-Box. Isolated ground outlets shall be orange in color.
- J-Boxes (junction box) shall be 4" x 4" x 1-1/2" deep. Cover is included.
- For 2 circuit strips:
First circuit outlet color shall be white, second circuit outlet color shall be ivory.
- All conductors extending into J-Boxes shall be minimum of 6" long from point of entry into box.
- No circuit protection is provided with hard-wired power strips. They require branch circuit protection.
- Finish shall be black powder coat.
- Chassis shall be 16-gauge steel.
- Mounting: quick-clip (see details), 2 supplied per strip.
- Use indoors in dry locations only.

Included Mounting Method

Middle Atlantic Products Rackrail Bracket



quick-clip (2 provided) for hard-wired model strips as shown





PD-1415C

Specifications for Corded Vertical Power Strips

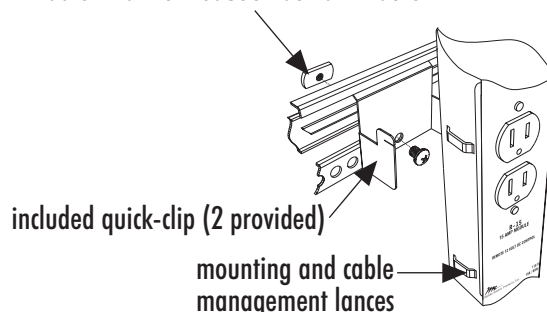
| PART # | NUMBER OF OUTLETS | CIRCUITS | NEMA OUTLET TYPE | OUTLETS ACCOMMODATE (NEMA) | WIRE GAUGE | CIRCUIT PROTECTION | SURGE AND EMI FILTER | UL STANDARD | NEMA PLUG TYPE |
|-------------|-------------------|------------|------------------|----------------------------|------------|------------------------|----------------------|-------------|----------------|
| PD-615C | 6 (3 DUPLEX) | (1) 15 AMP | 5-15R | 5-15P | 14 | 15 AMP CIRCUIT BREAKER | YES | 1363 & 1449 | 5-15P |
| PD-615C-NS | 6 (3 DUPLEX) | (1) 15 AMP | 5-15R | 5-15P | 14 | 15 AMP CIRCUIT BREAKER | NONE | 1363 | 5-15P |
| PD-620C-NS | 6 (3 DUPLEX) | (1) 20 AMP | 5-20R | 5-15P & 5-20P | 12 | 20 AMP CIRCUIT BREAKER | NONE | 1363 | 5-20P |
| PD-1015C | 10 (5 DUPLEX) | (1) 15 AMP | 5-15R | 5-15P | 14 | 15 AMP CIRCUIT BREAKER | YES | 1363 & 1449 | 5-15P |
| PD-1015C-NS | 10 (5 DUPLEX) | (1) 15 AMP | 5-15R | 5-15P | 14 | 15 AMP CIRCUIT BREAKER | NONE | 1363 | 5-15P |
| PD-1020C-NS | 10 (5 DUPLEX) | (1) 20 AMP | 5-20R | 5-15P & 5-20P | 12 | 20 AMP CIRCUIT BREAKER | NONE | 1363 | 5-20P |
| PD-1220C-NS | 12 (6 DUPLEX) | (1) 20 AMP | 5-20R | 5-15P & 5-20P | 12 | 20 AMP CIRCUIT BREAKER | NONE | 1363 | 5-20P |
| PD-1415C | 14 (7 DUPLEX) | (1) 15 AMP | 5-15R | 5-15P | 14 | 15 AMP CIRCUIT BREAKER | YES | 1363 & 1449 | 5-15P |
| PD-1415C-NS | 14 (7 DUPLEX) | (1) 15 AMP | 5-15R | 5-15P | 14 | 15 AMP CIRCUIT BREAKER | NONE | 1363 | 5-15P |

Additional Specifications for all Products Listed Above:

- Cord length shall be 9 feet
- Finish shall be black powder coat
- Chassis shall be 16-gauge steel
- Outlet color shall be white
- For use indoors in dry locations only
- Quick-clip mounting (see details)

Included Mounting Method

Middle Atlantic Products Rackrail Bracket



NOTE: Provided wood screws allow for mounting of mounting clip to wood surfaces

Surge Suppression & EMI Filter Specifications

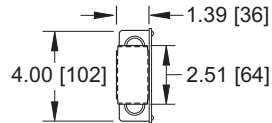
- Nominal line voltage: 120 VAC
- Maximum allowable voltage: 150 VAC (RMS)
 - Maximum continuous voltage differential applied between line and neutral
 - Maximum multiple impulse current derated per specs
- Peak impulse current (8/20 micro second.):
 - 30,000 amps, one time
 - 21,000 amps, 2 times within 5 minutes
 - 9,000 amps, ten times within 2 minutes
 - Maximum peak impulse current pulse as defined between line and neutral
 - Maximum multiple impulse current derated
- Maximum clamping voltage: 395 volts@100 amps
- Response time: Instantaneous (Less than 1 nanosecond)
- EMI/ RF Suppression: More than 20 db
 - Calculated line to neutral, 100 KHz to 1 MHz suppression based upon nominal impedance



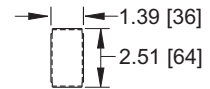
Vertical Power Strip basic dimensions



TOP VIEW
(with J-Box)

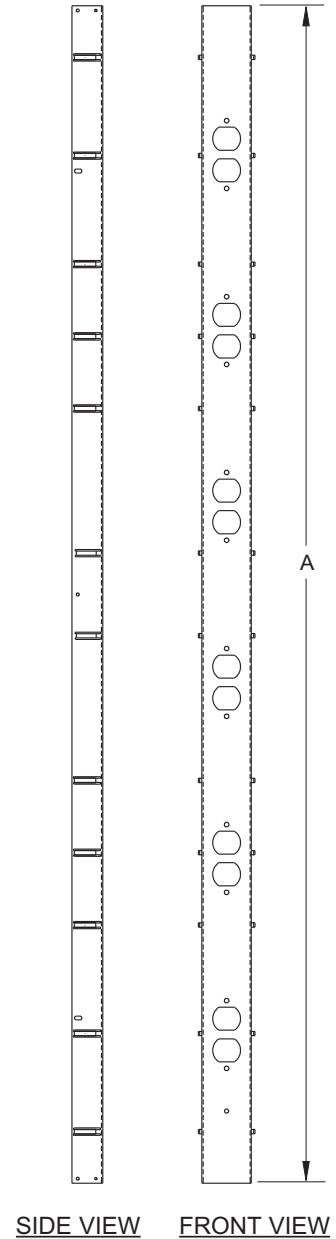
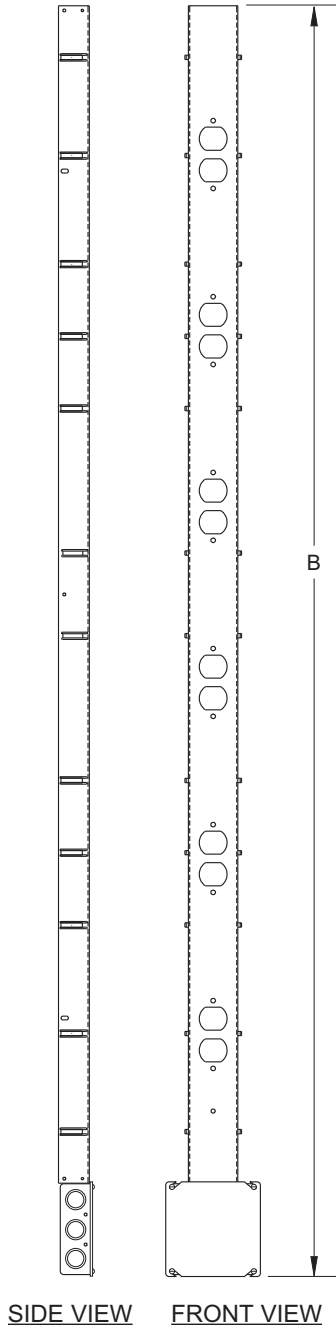


TOP VIEW
(without J-Box)



| PART # | B LENGTH (FOR MODELS WITH J-BOX) |
|-------------|-------------------------------------|
| PD-620J-IG | 30.5 |
| PD-1020J-IG | 44 |
| PD-1215J-S | 30.5 |
| PD-2X620J | 61 |
| PD-1220J | 61 |
| PD-2X620J | 61 |

| PART # | A LENGTH |
|-------------|----------|
| PD-615C-NS | 26.5 |
| PD-620C-NS | 26.5 |
| PD-615C | 26.5 |
| PD-1015C | 40 |
| PD-1015C-NS | 40 |
| PD-1020C-NS | 40 |
| PD-1215 | 40 |
| PD-1220C-NS | 57 |
| PD-1415C | 57 |
| PD-1415C-NS | 57 |
| PD-2X615 | 57 |



All dimensions in inches unless otherwise noted [bracketed dimensions in millimeters]