



**Middle Atlantic Products**

EXCEPTIONAL SUPPORT & PROTECTION™

# Rackmount Power Distribution Unit



**Rackmount power distribution unit with 2 stage surge, 9 power outlets, light ports and surge status notification**

## Features

- 2 stage surge suppression protects against damage from power surges and spikes
- Provides notification when surge protection is compromised via local LEDs and dry contact
- 9 vertically oriented and circuit-breaker protected NEMA 5-15R outlets, 8 rear and 1 front, spaced for plug-in power supplies
- 3 USB style output ports for connection of LED gooseneck work lights, 2 rear and 1 front
- Main illuminated 15 amp switch / circuit breaker
- L-N surge suppressor design will not pass noise contamination to the ground
- Durable flat black powder coat finish
- ETL Listed in the US and Canada



PD-915RV-RN

front view



rear view



## Architects' and Engineers' Specifications

Rackmount power distribution unit shall be Middle Atlantic Products model # PD-915RV-RN, with a 15 amp capacity, 2 stage, normal mode spike and surge suppression with dry contact and LED status indicators and EMI filtering. Rackmount power distribution unit with normally open contact closure for remote surge suppression status notification to customer supplied monitoring device shall operate on 120 volt AC/60Hz nominal power. Rackmount power distribution unit shall include 9' (14-3) SignalSAFE™ power cord with NEMA 5-15P plug, 1 front and 8 rear vertically oriented NEMA 5-15R outlets, spaced for plug-in power supplies and 15 amp circuit breaker located on the front of the unit. "Clean ground" surge suppressor design shall not pass noise contamination to the ground. Unit shall occupy one rackspace and be constructed of 18-gauge steel with a durable black powder coat finish. Rackmount power distribution unit shall provide 2 rear and 1 front USB style, 5 volt DC output ports for connection of optional LED gooseneck work lights. Rackmount power distribution shall be GREENGUARD Indoor Air Quality Certified for Children and Schools. Rackmount power distribution shall comply with the requirements of RoHS EU Directive 2002/95/EC. Rackmount power distribution shall be manufactured by an ISO 9001 registered company. Rackmount power distribution unit shall be warranted to be free from defects in materials and workmanship under normal use and conditions for a period of 3 years. Rackmount power distribution unit shall be ETL listed to UL standard 1419, UL 60950-1 and UL 60065 in the US; CSA standard 60950-1, and CSA C22.2 No. 60065 in Canada.

### OPTIONS

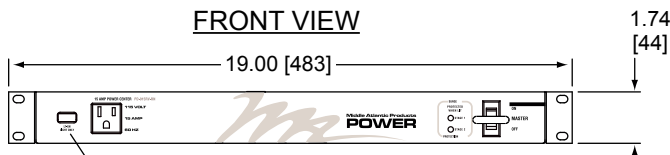
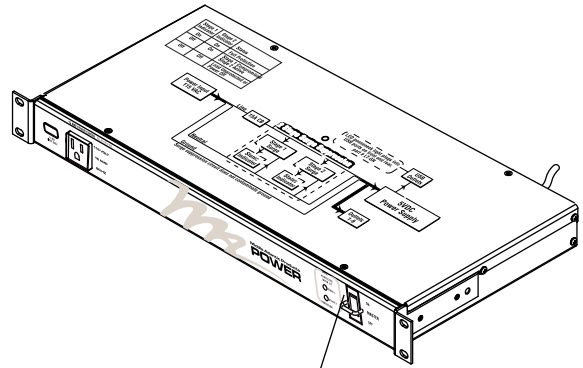
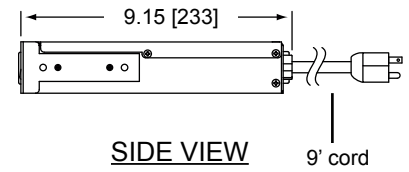
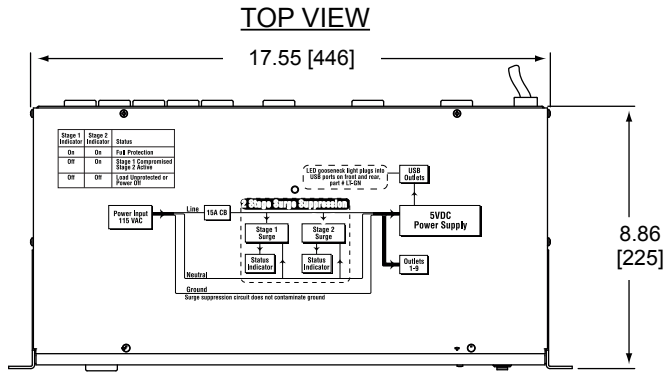
- LED work light with 11" flexible gooseneck and on / off switch shall be Middle Atlantic Products model # LT-GN



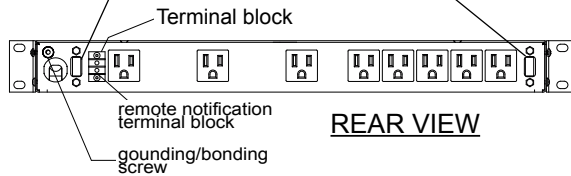
**CUSTOMIZABLE SPECIFICATION CLIPS AVAILABLE AT MIDDLEATLANTIC.COM**

# Rackmount Power Unit basic dimensions

All dimensions in inches [Bracketed dimensions in millimeters]



USB ports for use with gooseneck work light part # LT-GN



SURGE SUPPRESSION STATUS

Stage 1 indicator	Stage 2 indicator	Status
On	On	Full protection
Off	On	Stage 1 compromised Stage 2 active
Off	Off	Load unprotected or power off

Part #	Amps	Power Cord Type	# Front Outlets	# Rear Outlets	Circuit Breaker Location	Rear Outlet Type	Finish
PD-915RV-RN	15	NEMA 5-15P	1	8	Front	NEMA 5-15R	Black Powder coat

Maximum Derated Load (North America): 12 Amps

UL File # E204950

## Surge Suppression & EMI Filter Specifications (PD-915RV-RN)

- Maximum allowable voltage: 125 VAC (RMS)
  - Maximum continuous voltage differential applied between line and neutral, line and ground, or neutral and ground
- Protection mode: Line to Neutral
- Peak impulse current (8/20 micro seconds):
  - 30,000 Amps, one time
  - 19,500 Amps, two times within 5 minutes
  - 7,000 Amps, ten times within 2 minutes
  - Maximum peak impulse current pulse as defined between line and neutral
  - Maximum multiple impulse current derated per spec

- Maximum clamping voltage: 545 Volts @ 100 Amps
- Response time: Instantaneous (Less than 1 nanosecond)
- EMI/RF Suppression: More than 20 db
  - Calculated line to neutral, 100 KHz to 1 MHz suppression based upon nominal impedance
- Surge energy dissipation: 711 Joules (10 / 100 micro seconds)
- 2 stage surge suppression with status indicators
- Surge suppression circuit does not contaminate ground

