



Precision SMA Female to N Male Adapter

TECHNICAL DATA SHEET

PE9430

Configuration

Connector 1	SMA Female
Impedance 1	50 Ohms
Connector Specification 1	MIL-C-39012
Connector 2	N Male
Impedance 2	50 Ohms
Connector Specification 2	MIL-C-39012
Adapter Design	Precision
Body Style	Straight

Electrical Specifications

Frequency Range	DC to 18 GHz
Maximum VSWR	1.15:1

Mechanical Specifications

Size

Length, in [mm]	1.49 [37.85]
Width/Dia., in [mm]	0.8 [20.32]

Connector 1

Type	SMA Female
------	------------

Connector 2

Type	N Male
Mating Cycles	500

Environmental Specifications

Temperature

Operating Range	-65 to +125 deg C
-----------------	-------------------

Compliance Certifications (visit www.Pasternack.com for current document)

RoHS Compliant	
REACH Compliant	06/18/2012

Click the following link (or enter part number in "SEARCH" on website) to obtain additional part information including price, inventory and certifications: [Precision SMA Female to N Male Adapter PE9430](#)



Precision SMA Female to N Male Adapter

TECHNICAL DATA SHEET

PE9430

Plotted and Other Data

Notes:

- Values at +25 °C, sea level

Precision SMA Female to N Male Adapter from Pasternack Enterprises has same day shipment for domestic and International orders. Our RF, microwave and millimeter wave products maintain a 99% availability and are part of the broadest selection in the industry.

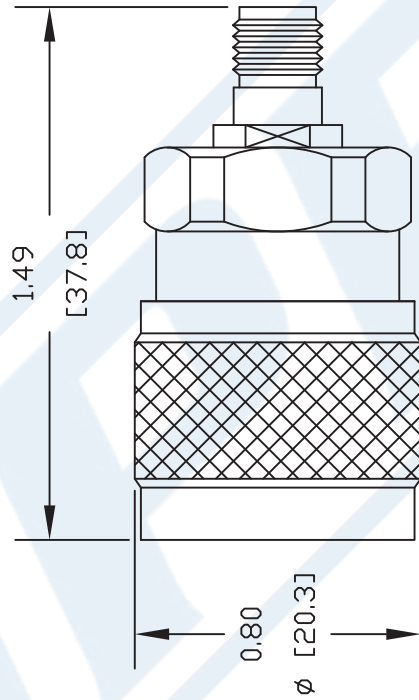
Click the following link (or enter part number in "SEARCH" on website) to obtain additional part information including price, inventory and certifications: [Precision SMA Female to N Male Adapter PE9430](#)

URL: <http://www.pasternack.com/sma-female-n-male-straight-adapter-pe9430-p.aspx>

The information contained in this document is accurate to the best of our knowledge and representative of the part described herein. It may be necessary to make modifications to the part and/or the documentation of the part, in order to implement improvements. Pasternack reserves the right to make such changes as required. Unless otherwise stated, all specifications are nominal. Pasternack does not make any representation or warranty regarding the suitability of the part described herein for any particular purpose, and Pasternack does not assume any liability arising out of the use of any part or documentation.

PE9430 CAD Drawing

Precision SMA Female to N Male Adapter



DWG TITLE

PE9430

NOTES:
 1. UNLESS OTHERWISE SPECIFIED ALL DIMENSIONS ARE NOMINAL.
 2. ALL SPECIFICATIONS ARE SUBJECT TO CHANGE WITHOUT NOTICE AT ANY TIME.
 3. DIMENSIONS ARE IN INCHES [mm].

REV. -

FSCM NO. 53919

CAD FILE 010903

SCALE N/A

SIZE A

127



PASTERNAK®
 Pasternack Enterprises, Inc.
 P.O. Box 16759 | Irvine | CA | 92623

Phone: (949) 261-1920 | Fax: (949) 261-7451

Website: www.pasternack.com | E-Mail: sales@pasternack.com