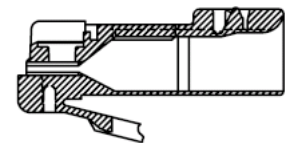
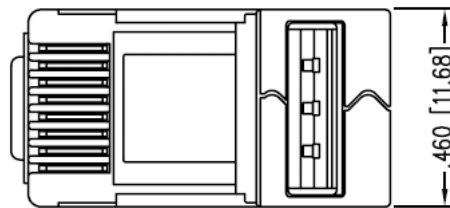
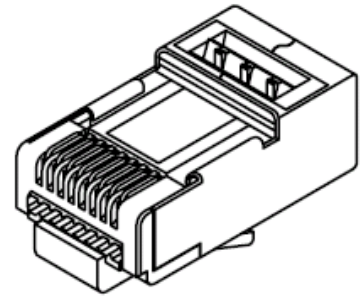
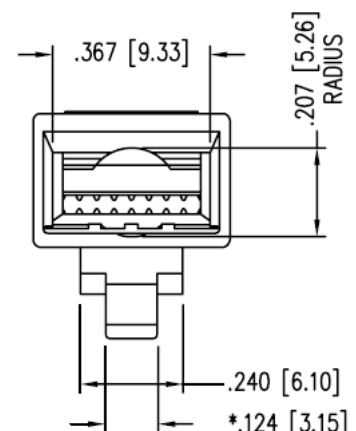
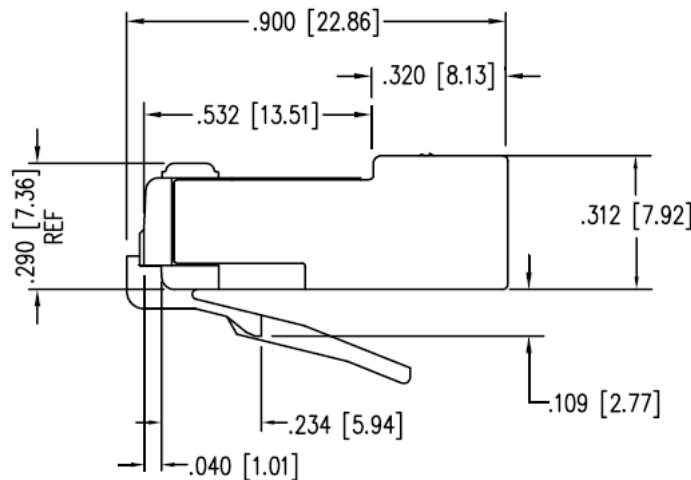
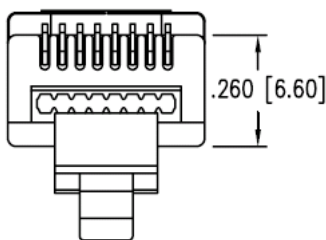


## PART NO.: 105020 Internal Ground EZ-RJ45®

- EIGHT CONDUCTOR MODULAR PLUG
- FOR CONDUCTORS WITH AN O.D. RANGE OF .037-.041"
- USES .014 CONTACT
- FOR SOLID OR STRANDED WIRE APPLICATIONS
- FOR BOTH CAT5E AND CAT6
- MAX CABLE OD IS 0.260 INCHES
- RoHS2 & UL COMPLIANT



SECTION VIEW  
WITH NO SHIELD



### SPECIFICATIONS:

CONTACT MATERIAL:	PHOSPHOR BRONZE .014 THK
CONTACT PLATING:	50 MICRO INCH SELECTIVE 24 CARAT HARD GOLD IN CONTACT AREA OVER 100 MICRO INCH MINIMUM NICKEL PLATE.
PLUG MATERIAL:	POLYCARBONATE
SHIELD MATERIAL:	.012 THK CDA-260 1/4 HARD BRASS
SHIELD PLATING:	100% TIN, 100-150 MICRO-INCH TIN PLATED
PLUG TOLERANCES/DIMS:	COMPLIES WITH F.C.C. REQUIREMENTS
OPERATION TEMPERATURE:	-40° C TO +70° C
FLAME AUTO EXTINGUISH	94-VO
INSERTION/EXTRACTION	1000 CYCLES
CONTACT RESISTANCE	10 MILLIOHMS MAX.
CURRENT VOLTAGE	30 VAC/42 VDC AT 1.5 AMPS

MANUFACTURED BY SULLSTAR TECHNOLOGIES, INC. PATENTED: 5,996,224, 6,017,237 and 6,105,229 AND FOREIGN PATENTS. PATENTS INSURED. EZ-RJ45® IS A REGISTERED TRADEMARK OF SULLSTAR TECHNOLOGIES, INC.