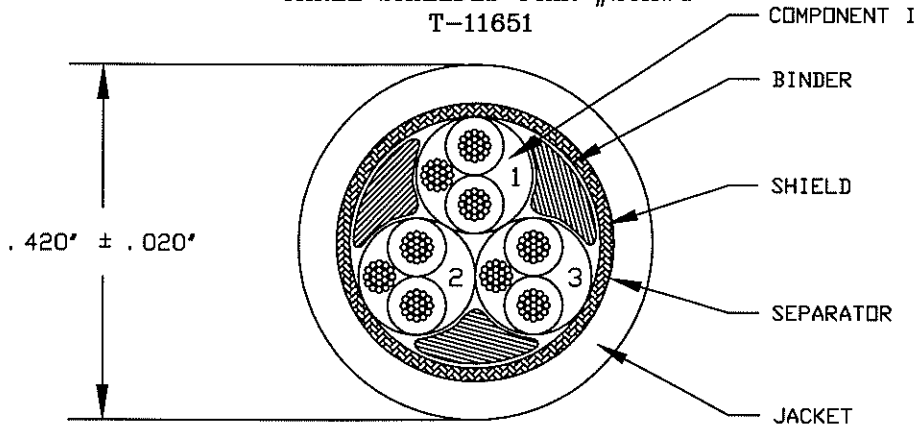


GeneralCable
THREE SHIELDED PAIR #20AWG
T-11651



COMPONENT I - (ITEMS 1-3) TWISTED PAIR SHIELDED #20AWG (TPS #20)
 PRIMARY - CONDUCTOR: #20AWG 19/32 TINNED COPPER
 INSULATION: CROSS-LINKED POLYETHYLENE-.016" NOMINAL WALL
 DIAMETER: .072" NOMINAL
 TWISTED PAIR: TWO (2) OF THE ABOVE PRIMARIES AND ONE (1) #20 AWG
 19/32 TINNED COPPER DRAIN WIRE X 1.50" LEFT HAND LAY.
 SHIELD: .0015" ALUMINUM/MYLAR TAPE - 25% MIN. OVERLAP,
 ALUMINUM SIDE IN AGAINST DRAIN WIRE.
 DIAMETER: .148" NOMINAL

FILLERS - AS REQUIRED TO MAINTAIN A CIRCULAR CABLE CROSS-SECTION

CABLE - CORE: THREE (3) TPS #20 (ITEMS 1 - 3)
 AND FILLERS X 4.0" LEFT HAND LAY.
 BINDER: .001" MYLAR TAPE - 25% MIN. OVERLAP
 SHIELD: #36 AWG TINNED COPPER BRAID - 85% MIN. COVERAGE
 SEPARATOR: .001" MYLAR TAPE - 25% MIN. OVERLAP
 JACKET: HYPALON (BLACK) - .047" NOMINAL WALL
 DIAMETER: .420" ± .020"
 UL: TYPE PLTC 90C 300V

JACKET PRINT: "GENERAL CABLE BRAND REX BRAND (WC) 90C 3PR #20
 SHIELDED TYPE PLTC (UL)/CSA AWM IIA 90C 300V FT1"

ELECTRICALS - CAPACITANCE (MUTUAL): 25 pF/ft NOMINAL
 CAPACITANCE (GROUNDED): 45 pF/ft NOMINAL

COLOR CODE	ITEM NUMBER	COLOR
	1	BLACK WHITE
	2	BLACK RED
	3	BLACK GREEN

REVISIONS	DATE	DESCRIPTION
O	10/30/85	FIRST ISSUE
A	11/05/85	#18AWG TO #20AWG
B	11/13/85	PART NUMBERS AND ELECTRICALS
C	12/04/85	SHIELDED PAIRS
D	09/26/91	UPDATE SPEC.
E	02/08/94	UL AND CSA
F	12/27/94	ADD TAPE SEPARATOR
G	08/12/96	UPDATE FORM/PRINT
H	05/02/01	UPDATE NAME

GeneralCable
 1600 West Main Street, Willimantic, CT 06226-1128
The Power of One

DRAWING NO: **D606**

REFERENCES	DESCRIPTION
	INDUSTRIAL ELECTRIC
	GeneralCable #T-11651 523700

DRAWN BY: J. RUSSO | APPROVED BY: M.LAJEUNESSE
 THIS DRAWING IS THE PROPERTY OF GeneralCable AND SHALL NOT BE REPRODUCED, COPIED, OR USED AS BASIS FOR THE MANUFACTURE OR SALE OF THIS DESIGN WITHOUT THE PERMISSION OF GeneralCable