

No. 4105 P. 1

04330

*Attn: Steve*

1) CONSTRUCTION:

CONDUCTOR:	22 AWG 7/30 TINNED COPPER	NOM. DIA.	.030"
INSULATION:	POLYVINYLCHLORIDE, .010" NOM. WALL THICKNESS		.050"
CABLE:	(4) INSULATED CONDUCTORS TWISTED TOGETHER TO FORM A CABLE CORE		.121"
JACKET:	POLYVINYLCHLORIDE, BLACK, .037" NOM. WALL THICKNESS		.195"
	OVERALL CABLE DIAMETER		

2) PHYSICAL PROPERTIES:

TEMPERATURE RATING, MAX.	90°C
WT./M', NOM., NET.	23.7 LBS.
JACKET IS SUNLIGHT RESISTANT	

3) ELECTRICAL CHARACTERISTICS:

CAPACITANCE, MUTUAL, NOM.	21 PF/FT
DIELECTRIC WITHSTANDING, MIN.	1500V RMS
VOLTAGE RATING, MAX.	300V
D.C. RESISTANCE, MAX. PER ASTM B286	16.7 Ω/1,000'

4) AGENCY APPROVALS:

(UL) NEC TYPE PLTC (Ref. QWC vol. 1, sec. 17)

5) APPLICATION:

RoHS COMPLIANT MATERIALS.

6) PRINT: (WHITE INK)

E70148 (UL) TYPE PLTC 22 AWG 90C -- RoHS -- (LOT DESIGNATOR)

7) COLOR CODE:

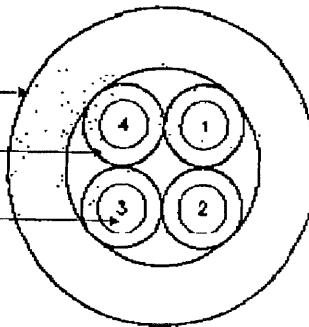
- 1. YELLOW
- 2. BLACK
- 3. RED
- 4. GREEN

8) PACKAGING:

TO BE PACKAGED AS PER QWC'S STANDARD PACKAGING

*This is the correct lay.  
Crystal Foster*

JACKET  
INSULATION  
CONDUCTOR



Apr. 28. 2009 9:36AM

REVISION 04	DATE:	DRAWN B. M. DUCZYNSKI 2/11/05	PS1134
REVISED BY	<i>B. M. Duczynski</i> 4/20/09	CHECKED J. RIVERNIDER 2/11/05	
CHECKED	<i>G. Rivers</i> 04/20/09	CHECKED	
CHECKED		CUSTOMER APPROVAL: DATE:	
TITLE 4/C 22 AWG 7/30 PVC/PVC CABLE -- TYPE PLTC			
QUABBIN P/N 04330		1 OF 1	

DOCUMENT #0040 4/10/95

*262-957-5704*

