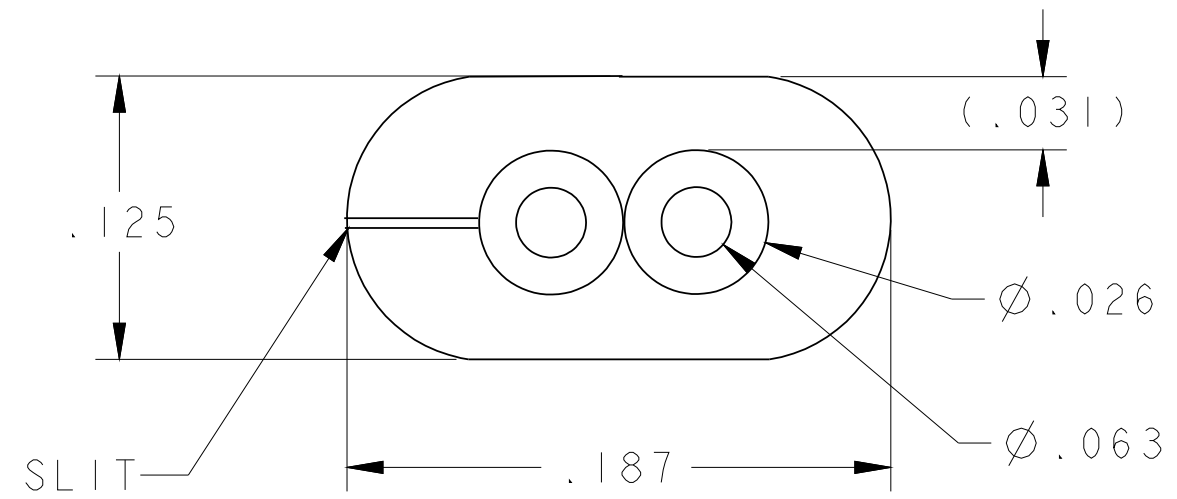
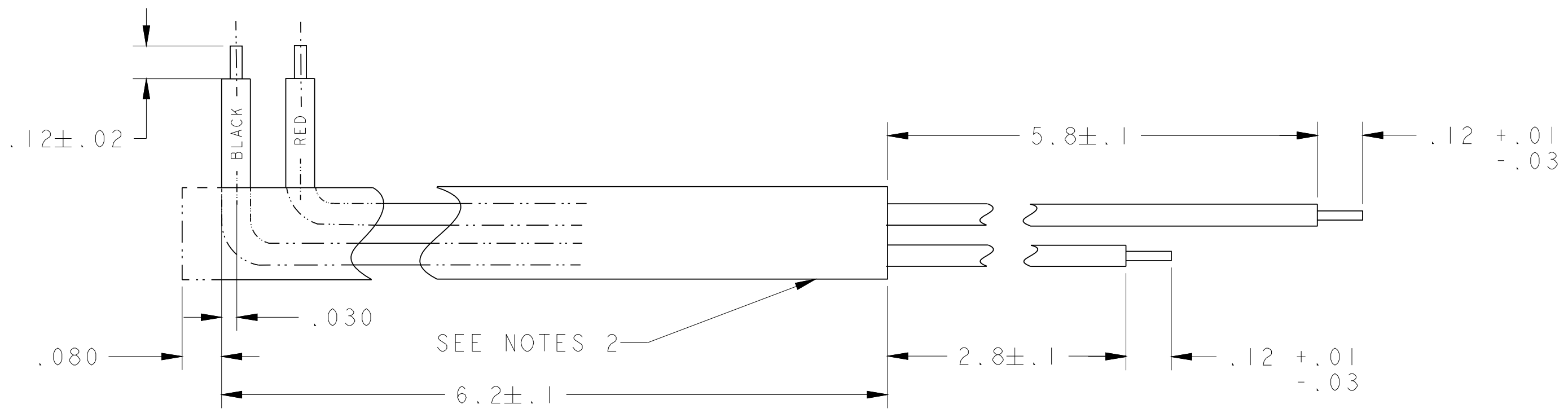


NOTES: (UNLESS OTHERWISE SPECIFIED)

1. MATERIAL TO BE AWM (APPLIANCE WIRE MATERIAL). RATED CSA PVC OR PE., 80 °C AT 300 VOLTS AND UL (AWN STYLE 2881). (1 BLACK OR GREY, 1 RED OR PINK), 03 TOTAL INSULATOR THICKNESS JACKET BLACK PVC 80 °C.
2. BLACK JACKET MUST BE .125 X .187 (OVAL). AND BE TIGHTLY (EXTRUDED) OVER WIRE PAIRS.
3. SHEATH TO BE IN-LINE WITH OUTER EDGE OF BLACK WIRE +.080/- .030

MATERIAL SEE NOTES 1		TOLERANCES UNLESS OTHERWISE SPECIFIED	
FINISH N/A	PAINT IN lbs	.X ± 0.0	FRACTION ± N/A
		.XX ± 0.02	ANGLE ± 1.0
		.XXX ± 0.005	
		.XXXX ± 0.0001	

REVISIONS					
ISS	PPC	REVISION DESCRIPTION	BY	APVD	DATE
01	21158	REDRAWN IN PROE, CHG DESC.	JGR	JAB	04/2006



DRAWN BY J.GARCIA	DATE 04-19-06
CHECKED BY J.BADILLO	DATE 04-19-06
APPROVED BY J.BADILLO	DATE 04-19-06

<b>CORNING</b>	PLANT OF ORIGIN Corning Cable Systems Keller, TX
	DESCRIPTION CABLE, 2-22 AEG, 7 STRANDS, BLACK/RED

ITEM	1
QTY.	2

LEGAL NOTICE: TRADE SECRETS AND/OR CONFIDENTIAL/ PROPRIETARY INFORMATION OWNED BY CORNING CABLE SYSTEMS IS CONTAINED HEREIN AND MAY NOT BE DISCLOSED, USED, DUPLICATED OR DISTRIBUTED WITHOUT CORNING CABLE SYSTEMS' PRIOR WRITTEN CONSENT. YOUR FAILURE TO PROTECT CORNING CABLE SYSTEMS' TRADE SECRETS AND/OR CONFIDENTIAL/PROPRIETARY INFORMATION MAY RESULT IN YOUR LIABILITY FOR ALL RESULTING DAMAGES AND LOSSES.

UNITS: INCH	SCALE: 1/1	DOC TYPE <b>PD</b>	DWG NO. P0698474
SHEET SIZE: B	SHEET 1 OF 1		