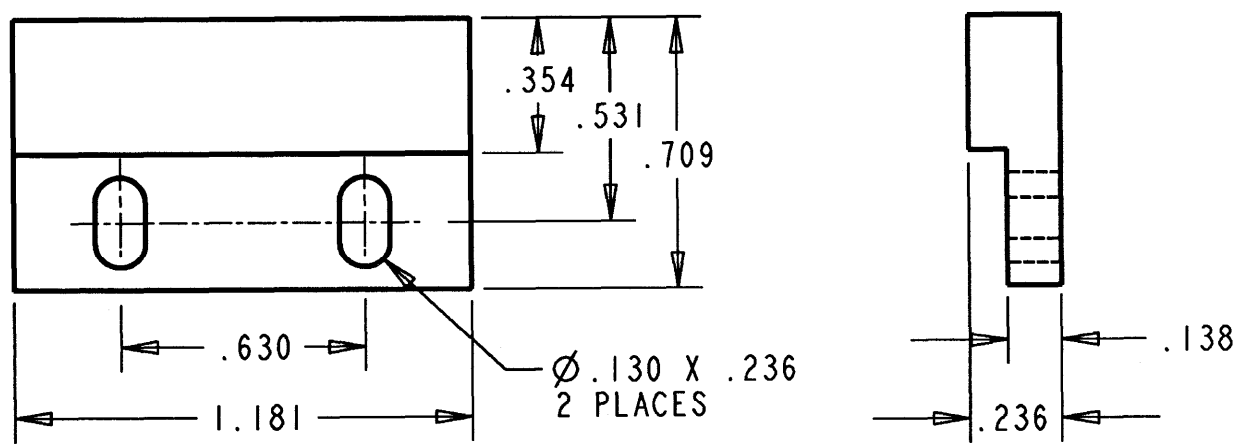
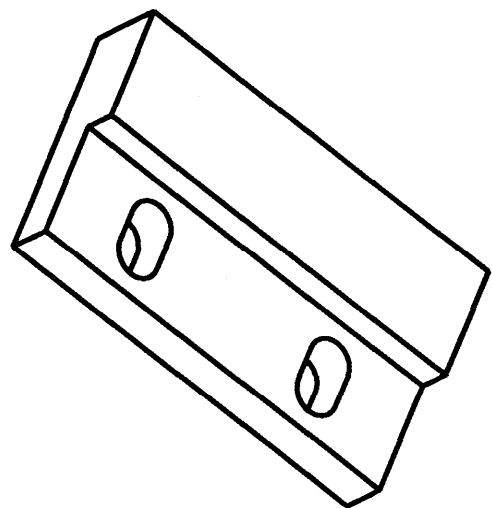


PART NUMBER
MA-4



- NOTES:
1. MAGNET MATERIAL: ALNICO-5
 2. MAGNETIC FLUX DENSITY: 900-1200 GAUSS
 3. MAGNETIZATION: FULLY MAGNETIZED

ORIGINAL VENDOR: ALEPH VENDOR P/N: PS-6001

LTR	REVISIONS	APP.	DATE	DRN.	PS	DATE 11/8/95
A	18045	RELEASED	<i>Thym</i> 11-29-95	CKD.	GB	DATE 11/30/95
				APP.	RB	DATE 11/30/95

KEITHLEY Keithley Instruments Inc.
Cleveland, Ohio 44139

MAGNET PART NUMBER
MA-4