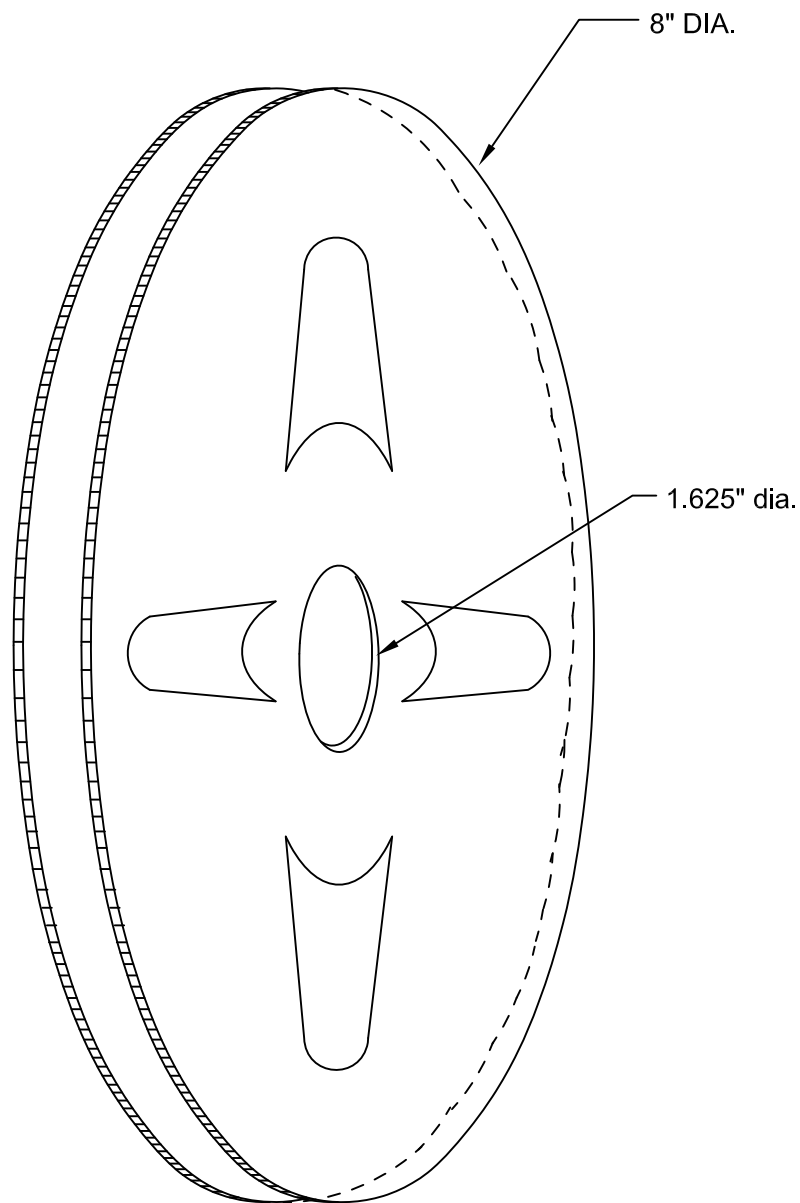
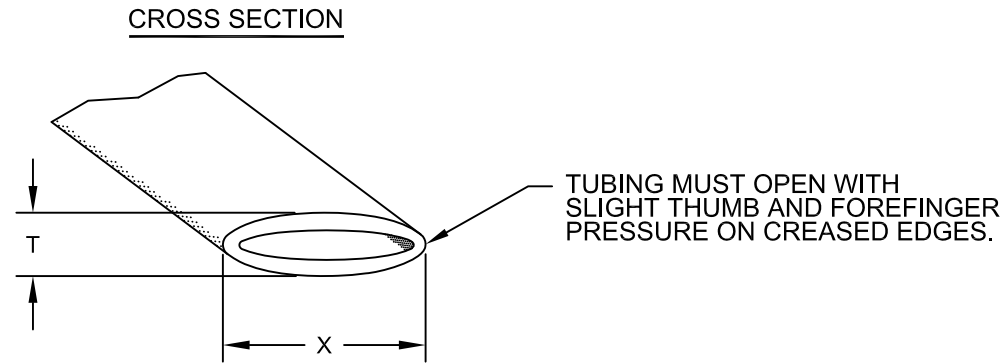


PART DESCRIPTION	SAP NUMBER	MATERIAL	COLOR	MAX # SPLICES	T	X	TUBING LENGTH
PS-C-094-WT	Y2043113	B342	WHITE	0	$\frac{.033}{.043}$	$\frac{.169}{.195}$	75 FT
PS-C-125-WT	Y2043114	B342	WHITE	0	$\frac{.037}{.052}$	$\frac{.216}{.253}$	100 FT
PS-C-187-WT	Y2043115	B342	WHITE	0	$\frac{.046}{.063}$	$\frac{.313}{.356}$	90 FT
PS-C-250-WT	Y2043116	B342	WHITE	0	$\frac{.045}{.062}$	$\frac{.415}{.462}$	90 FT
PS-C-375-WT	Y2043117	B342	WHITE	0	$\frac{.040}{.065}$	$\frac{.607}{.682}$	75 FT
PS-C-500-WT	Y2043118	B342	WHITE	0	$\frac{.050}{.075}$	$\frac{.800}{.902}$	50 FT
PS-C-750-WT	Y2043119	B342	WHITE	0	N/A	$\frac{1.201}{1.299}$	50 FT
PS-C-1000-WT	Y2043120	B342	WHITE	0	N/A	$\frac{1.600}{1.720}$	50 FT
PS-C-1500-WT	Y2043121	B342	WHITE	0	N/A	$\frac{2.342}{2.524}$	50 FT



**CONTINUOUS SLEEVES
PACKAGING/LABELING SPECIFICATIONS**

1) LABEL AND PLACE IN BAG.

REV.	BRADY BRADY USA, INC STOCK PRODUCT		CODE KEY FOR REGISTRATION
NPI NO.			PRINT 1 TO PRINT 2: A1, A2, etc.
DWG. BY: TLN		DATE 10/22/12	DIECUT TO PRINTING: N1, N2, etc.
ACAD FILE NAME PS-C-WT		DISK NO.	DIECUT TO DIECUT: M1, M2, etc.
PINFEED HOLES TO DIECUT: W1, W2, etc.			
FOR OTHERS: H1, H2, etc.			
REV.	DATE	NAME	DESCRIPTION