



# TX5500™ Headroom Performance Platform

The TX5500™ solution is a fully integrated system designed for optimum network performance and reliability. The solution provides end-users with assurance that the TX5500™ system will exceed ANSI/TIA-568-C.2 Category 5e standard relative to the following key electrical parameters: Insertion Loss, Near-End Crosstalk (NEXT), Power Sum NEXT, ACR, Power Sum ACR, and Return Loss.

To determine the guaranteed headroom performance shown below, over 100 channels were constructed, tested, and analyzed.

- These channels consisted of three and four connector topologies – in both short and long cabling runs – to ensure true worst-case conditions
- Testing was conducted at swept frequencies from 1 MHz to 100 MHz per industry standards
- The testing represents “real world” conditions through the use of an industry recognized hand-held tester, not test analyzers or computer models



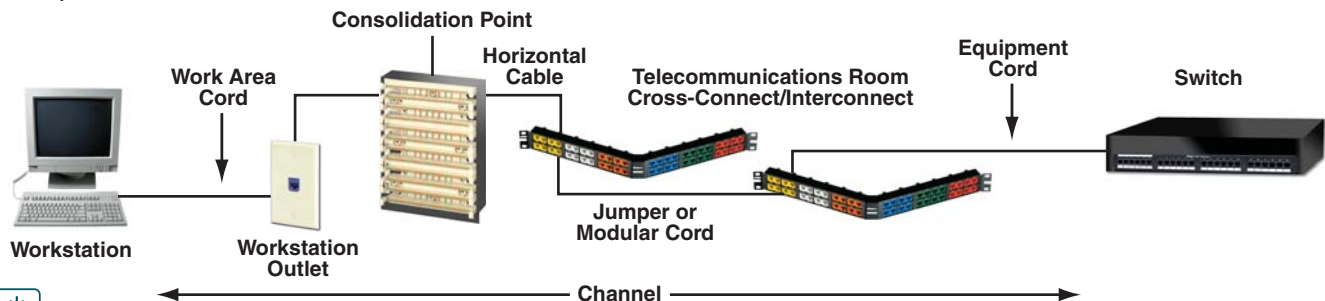
System Components	
Horizontal Cable	TX5500™ U/UTP Cable
Work Area	Mini-Com® TX5e™ Jack Module
Telecommunications Room	DP5e™ Patch Panel Mini-Com® TX5e™ Jack Module
Consolidation Point	Pan-Punch® 110 Punchdown System
Patch Cords	TX5e™ Patch Cords

Guaranteed Channel Headroom	
Electrical Value	Over Standard (dB*)
Insertion Loss	5%
NEXT	6.0dB
PSNEXT	7.5dB
ACR-N	7.0dB
PSACR-N	9.0dB
ACR-F	4.0dB
PSACR-F	6.0dB
Return Loss	2.0dB

Applications	
1000BASE-T	115 Mb/s ATM, 622 Mb/s ATM
100BASE-T	Token Ring 4/16
10BASE-T	Future applications intended for Category 5e cabling

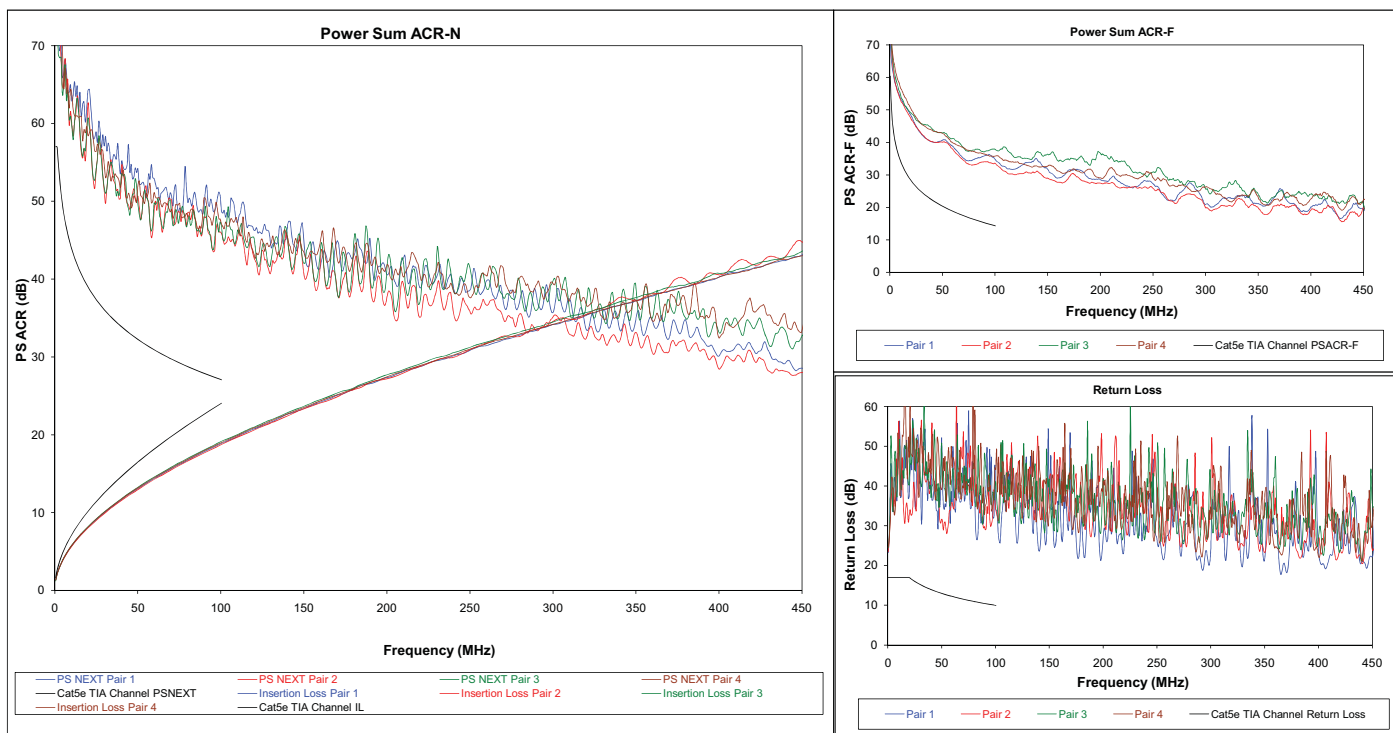
Standard Compliance
ISO 11801
ANSI/TIA-568-C.2
TIA-569-B
ANSI/TIA-606-A

In order to ensure headroom performance, all systems must be installed per applicable standards by a Panduit Certified Installer.



# TX5500™ Headroom Performance Platform

## Electrical Channel Performance Data



## TX5500™ Solution Part Numbers

Cable Type	Part Number	Description
TX5500™ Category 5e U/UTP Riser	PUR5504*-UY	Enhanced Category 5e, riser (CMR), 4-pair, U/UTP copper cable. Copper conductors are 24 AWG construction with polyolefin insulation. Conductors are twisted in pairs and protected by a flame-retardant PVC jacket.
TX5500™ Category 5e U/UTP Plenum	PUP5504*-UY	Enhanced Category 5e, plenum (CMP), 4-pair, U/UTP copper cable. Copper conductors are 24 AWG construction with FEP/polyolefin insulation. Conductors are twisted in pairs and protected by a low smoke, flame-retardant PVC jacket.

\*Available in Black (BL), Blue (BU), Green (GR), International Gray (IG), Orange (OR), Red (RD), Violet (VL), White (WH), and Yellow (YL).

Work Area	Part Number	Description
Mini-Com® TX5e™ Jack Modules – TG Style	CJ5E88TG**	Category 5e, RJ45, 8-position, 8-wire universal jack module.
TX5e™ Patch cords, foot lengths	UTPCH3**Y	Category 5e, UTP patch cord with Pan-Plug™ Modular Plugs on each end.

\*\*See www.Panduit.com or current catalog for available colors and lengths.

Telecommunications Room	Part Number	Description
DP5e™ Flat Patch Panel	DP245E88TGY	24-port, Category 5e patch panel with 24 RJ45, 8-position, 8-wire ports.
DP5e™ Flat Patch Panel	DP485E88TGY	48-port, Category 5e patch panel with 48 RJ45, 8-position, 8-wire ports.
DP5e™ Angled Patch Panel	DPA245E88TGY	24-port, Category 5e angled patch panel with 24 RJ45, 8-position, 8-wire ports.
DP5e™ Angled Patch Panel	DPA485E88TGY	48-port, Category 5e angled patch panel with 48 RJ45, 8-position, 8-wire ports.

Consolidation Point	Part Number	Description
PanPunch® 110 Category 5e System Kit	P110KB1004Y	100-Pair 110 Punchdown System Kit with 4-Pair Connector Kit.

### WORLDWIDE SUBSIDIARIES AND SALES OFFICES

PANDUIT CANADA  
Markham, Ontario  
cs-cdn@panduit.com  
Phone: 800.777.3300

PANDUIT EUROPE LTD.  
London, UK  
cs-emea@panduit.com  
Phone: 44.20.8601.7200

PANDUIT SINGAPORE PTE. LTD.  
Republic of Singapore  
cs-ap@panduit.com  
Phone: 65.6305.7575

PANDUIT JAPAN  
Tokyo, Japan  
cs-japan@panduit.com  
Phone: 81.3.6863.6000

PANDUIT LATIN AMERICA  
Guadalajara, Mexico  
cs-la@panduit.com  
Phone: 52.33.3777.6000

PANDUIT AUSTRALIA PTY. LTD.  
Victoria, Australia  
cs-aus@panduit.com  
Phone: 61.3.9794.9020

For a copy of Panduit product warranties, log on to [www.panduit.com/warranty](http://www.panduit.com/warranty)

For more information

Visit us at [www.panduit.com](http://www.panduit.com)

Contact Customer Service by email: [cs@panduit.com](mailto:cs@panduit.com)  
or by phone: 800-777-3300



©2013 Panduit Corp.  
ALL RIGHTS RESERVED.  
**COFL14--WW-ENG**  
Replaces WW-COFL10  
5/2013