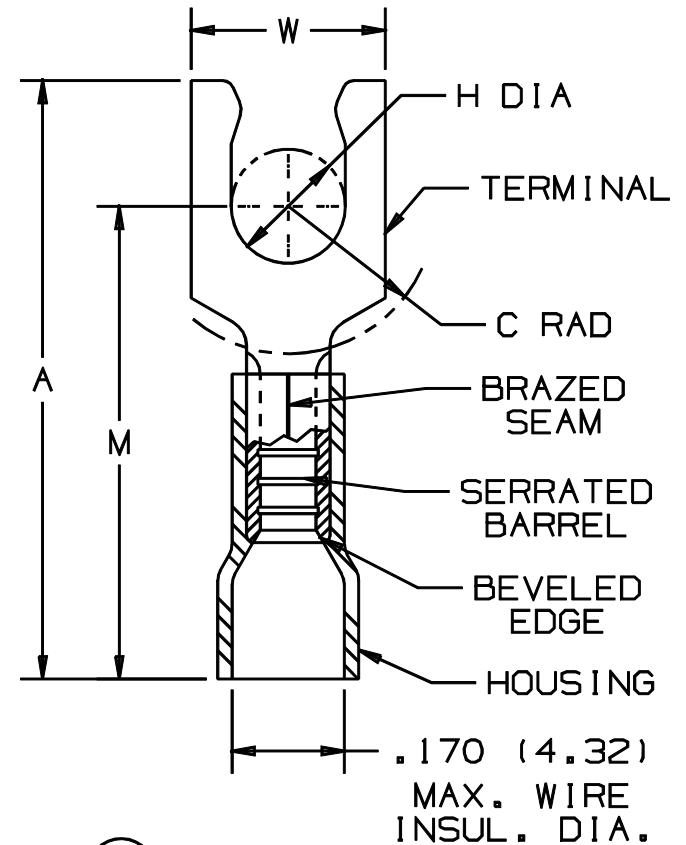


THIS COPY IS PROVIDED ON A RESTRICTED BASIS AND IS NOT TO BE USED IN ANY WAY DETRIMENTAL TO THE INTERESTS OF PANDUIT CORP.

| PANDUIT PART NUMBER | STUD SIZE | DIMENSIONS in. | | | | |
|---------------------|-----------|----------------|---------------|---------------|----------------|---------------|
| | | A ±.03 | W ±.01 | C ±.02 | M ±.03 | H ±.01 |
| PV14-6LF | #6 | .90 (22.86) | .25 (6.35) | .22 (5.59) | .68 (17.27) | .14 (3.56) |
| PV14-6LFW | #6 | .90 (22.86) | .29 (7.37) | .22 (5.59) | .68 (17.27) | .14 (3.56) |
| PV14-8LF | #8 | .97 (24.64) | .29 (7.37) | .25 (6.35) | .73 (18.54) | .16 (4.06) |
| PV14-10LF | #10 | .97 (24.64) | .33 (8.38) | .25 (6.35) | .73 (18.54) | .19 (4.83) |
| PV14-10LFN | #10 | .97 (24.64) | .29 (7.37) | .25 (6.35) | .73 (18.54) | .19 (4.83) |

NOTES:

- UL LISTED & CSA CERTIFIED FOR
 - 600 V. MAX. VOLTAGE RATING (1000 V. MAX. IN SIGNS, FIXTURES AND LUMINAIRES.)
 - 18-14 AWG SOLID OR STRANDED COPPER WIRE & 221°F (105°C) MAX TEMP RATING, WITH THE CT-500 & CT-550, CT-1550, CT-1551 INSTALLATION TOOLS.
 - 16-14 AWG SOLID OR STRANDED COPPER WIRE & 167°F (75°C) MAX TEMP RATING WITH THE CT-100 INSTALLATION TOOLS.
- MATERIAL:
 - STAMPING - .032 (.81) THK COPPER, TIN PLATED
 - HOUSING - VINYL, BLUE
- STRIP LENGTH 5/16 ^{+1/32} -0
- PACKAGE QTY.: -C=100/-M=1000
- DIMENSIONS IN BRACKETS ARE IN MILLIMETERS



LISTED
587H
E52164



CERTIFIED
LR31212

A41296_09

| | | | | | | | | | | | | | | | | |
|----------|-------|-------|-------------|------------------------------|-------|------|------|--|----------|-------|-------|-------------|-----|-----|------|--------|
| 09 | 1-01 | | RM | FILESPEC WAS N41296AA_PCD_08 | | | | <p>TINLEY PARK, ILLINOIS</p> <p>#16-14 BARREL FUNNELED VINYL INSULATED LOCKING FORK, .175 (4.45) MAX. WIRE INSULATION DIAMETER</p> | | | | | | | | |
| 08 | | JKD | | ADDED CT-1550 & CT-1551 | 07634 | | | | | | | | | | | |
| 7 | 1-95 | MC | RLS | UPDATED NOTES AND DIMENSIONS | 02896 | LCA | TFKE | | | | | | | | | |
| 6 | 8-88 | DW | | REDRAWN WITH REVISIONS | | | JRB | | | | | | | | | |
| REV | DATE | BY | CHK | DESCRIPTION | ECN # | CUST | PM | <table border="0"> <tr> <td>DRAWN BY</td> <td>CHK'D</td> <td>SCALE</td> <td>DRAWING NO.</td> </tr> <tr> <td>DAW</td> <td>CJH</td> <td>NONE</td> <td>A41296</td> </tr> </table> | DRAWN BY | CHK'D | SCALE | DRAWING NO. | DAW | CJH | NONE | A41296 |
| DRAWN BY | CHK'D | SCALE | DRAWING NO. | | | | | | | | | | | | | |
| DAW | CJH | NONE | A41296 | | | | | | | | | | | | | |