

# GROUNDING CONNECTORS

## TYPE WB Ground Rod Clamps

### Heavy-Duty Clamps



- For direct burial.
- For connecting ground wire to driven rod.
- Designed to maintain proper alignment between ground wire and rod.
- Cast of high-strength copper alloy for corrosion resistance.

Catalog Number				Rod Dia. Inches	Cond. Range AWG	Socket Inches	Hex Inches
Socket	Fig. No.	Hex	Fig. No.				
WB12S	2	WB12H	1	1/2	2-10	.220	1/2
WB58S	2	WB58H	1	5/8	1/0-8	.220	1/2
WB34S	2	WB34H	1	3/4	1/0-8	.220	1/2

*Note: For tin plating add suffix - "T".*



Fig. 1



Fig. 2

## TYPE G/SRC Ground Rod Clamps

### Standard-Duty Clamps (Universal)



- A dependable connector offered at a substantial savings
- Makes long-lasting, trouble-free connections.
- Made from high strength silicon bronze corrosion resistant copper alloy.
- Hardware is made from high strength corrosion resistant stainless steel or high strength corrosion resistant silicon bronze alloy.
- Designed to withstand torque of 300 inch pounds.

Catalog Number	Fig. No.	Rod Diameter Inches	Cond. Range AWG	Hex Inches
G5	1	1/2, 5/8, #4 rebar	2-10	1/2
*SRC	2	1/2, 5/8, 3/4	1/0-8	1/2
*SRC2	2	1/2, 5/8, 3/4	1/0-10	1/2

*Note: For tin plating add suffix - "T".*

*\* UL Listed for copper-clad ground rods.*



Fig. 1

Fig. 2

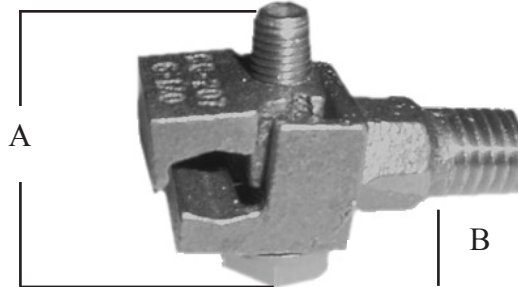
# TRANSFORMER TANK GROUNDING CONNECTORS

## TYPE BGC

### Recommended For Copper Ground Conductors

- Used for grounding connections on distribution transformer tanks.
- Made of high strength silicon bronze.
- Provided with standard 1/2 - 13 thread studs with a 9/16" bolt head.

Catalog Number	Conductor Range	A	B
BGC-0	1/0-6	1.25	0.75



## TYPE TGC

- Transformer grounding connectors are cast of high-conductivity bronze.
- 1/2 - 13 stud fits all standard EEI-NEMA distribution transformers.
- One connector handles all conductors 8 through 2/0.
- TGC2 accommodates cable in either vertical or horizontal directions.

Catalog Number	Conductor Range AWG	H	W	L
		Dimensions - Inches		
TGC2	2/0-8	1.80	1.12	1.33
TGC3	1-10	1.38	1.05	1.56
TGC4	1-10	1.25	0.88	1.38



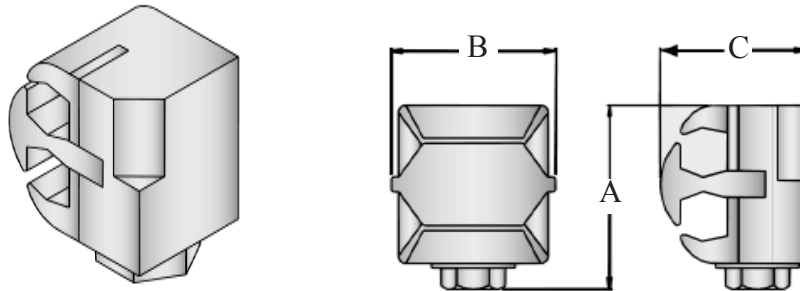
*Note: For tin plating add suffix "T".  
For 1" threaded stud add suffix "L1".  
For internal threaded stud add suffix "R".*

# BRONZE DISTRIBUTION CONNECTOR

## TYPE CC Bronze Distribution Vise-Type Connectors

- Complies with all ANSI specifications.
- Streamlined design that presents a neat appearance and is easy to tape or cover connection.
- Umbrella electrolytic spacer bar provides three additional lines of contact between conductors and short low resistance current path.
- Flat ribs on the back of the connector permit a secure grip for “hot stick” insulation.

Catalog Number	Conductor Range		A	B	C	Bolt Size	Head (Hex)
	Max.	Min.	Approx. Dimesions - Inches				
CC8010	1/0-1	8 sol.	1.50	1.38	1.00	0.31	0.58



# DUAL RATED ALUMINUM GROUND CLAMP

## TYPE GC Aluminum Ground Clamps

DUAL RATED FOR BOTH COPPER  
AND ALUMINUM CONDUCTORS



LR30117



368L

- CMC® dual rated aluminum ground clamps are manufactured from high strength 6061-T6 aluminum alloy to ensure both maximum strength and conductivity.
- Electro tin plated to provide low contact resistance and protection from corrosion. They also cover a range from 1/2" to 4" pipe with a ground wire range covering 250 kcmil to #14 AWG.
- Effectively ground copper or aluminum conductors to copper pipe, galvanized pipe, or steel conduit.

Catalog Number	Fig. No.	Conduit, Pipe, or Water Tube Size	Rebar Size	Ground Wire Range	Screw Type	W	L	Socket Size
						Dimensions Inches		
GC-15A	2	1/2 - 3/4 - 1	#4, #5, #6	1/0-14	Slotted	.69	.69	-
GC-18A	1	1 1/4 - 1 1/2 - 2	-	250-6	Hex Socket	.82	3.75	5/16
GC-22A	1	2 1/2 - 3 - 3 1/2 - 4	-	250 - 6	Hex Socket	1.00	6.31	5/16

Fig. 1

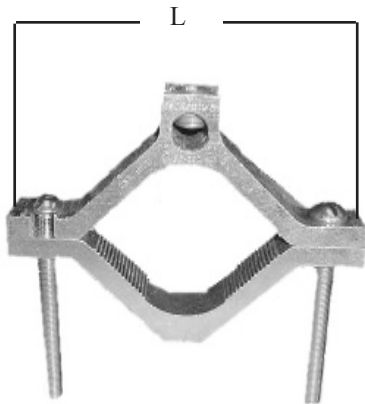


Fig. 2



# SOLDERLESS CONNECTORS

Listed Wire Connector

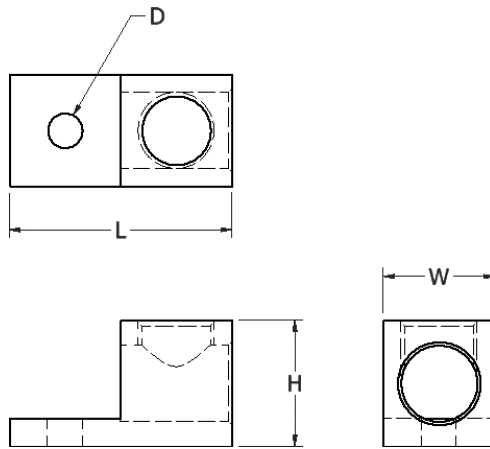
## TYPE LA

600V

DUAL-RATED CONNECTORS  
FOR ALUMINUM OR COPPER CONDUCTORS



- CMC L-shaped, single hole, solderless connectors are manufactured from high strength 6061-T6 aluminum alloy to ensure both maximum strength and conductivity.
- Electro tin plated to provide low contact resistance and protection against corrosion.
- Assembly can be made with only a screwdriver or Allen wrench and the connectors are reusable.



Catalog Number	Fig. No.	Cond. Range AWG	Stud Size	H	W	L
				Dimensions - Inches		
LA-6M	1	6-14	.25	.50	.50	1.06
LA-2M	1	2-14	.25	.56	.50	1.16
LA-1/0M	1	1/0-14	.25	.78	.63	1.47
LA-2/0M	1	2/0-14	.25	.78	.63	1.47
LA-250M	2	250-6	.31	1.13	1.00	2.00
LA-300M	2	300-6	.31	1.13	1.00	2.00
LA-350M	2	350-8	.38	1.25	1.13	2.25
LA-500M	2	500-4	.38	1.56	1.50	2.82
LA-600M	2	600-2	.38	1.56	1.50	3.19
LA-800M	2	800-300	.63	1.94	1.75	3.50
LA-1000M	2	1000-350	.63	1.94	1.75	3.50

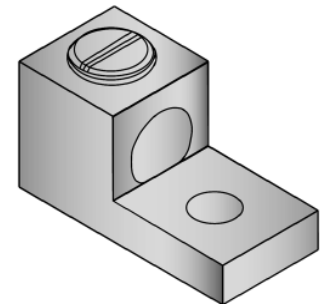


Fig. 1

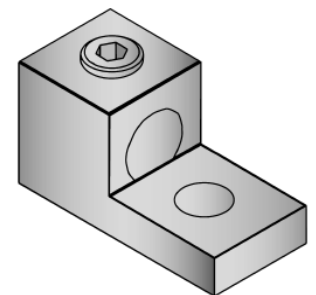


Fig. 2

# TWO-CONDUCTOR SOLDERLESS LUGS

## TYPE **DLA/L2M2/L2D2**

600V



### DUAL-RATED CONNECTORS FOR ALUMINUM OR COPPER CONDUCTORS

- Manufactured from high strength 6061-T6 aluminum alloy to ensure both maximum strength and conductivity.
- Assembly can be made with only a screwdriver or Allen wrench.
- Connectors are reusable.
- Electro tin plated to provide low contact resistance.

Material: Aluminum

Catalog Number	Figure Number	Cond. Range	Stud Size	H	W	L
		AWG	Inches	Dimensions - Inches		
		MM	MM	Dimensions - (mm)		
DLA-112	1	1/0-14(2)	.25	.78	1.13	1.47
		50-1.5(2)	6.35	19.81	26.70	37.34
DLA-125	1	2/0-14(2)	.25	.76	1.25	1.47
		50-1.5(2)	6.35	19.81	31.75	34.34
DLA-250	1	250-6(2)	.36	1.19	1.64	2.56
		1.20-16(2)	9.65	30.23	41.66	65.02
DLA-350	1	350-6(2)	.50	1.25	1.92	2.88
		185-16(2)	12.70	31.76	46.77	73.15
DLA-600	1	600-2(2)	.50	1.56	2.41	3.19
		300-25(2)	12.70	39.62	61.21	81.03
DLA-800	1	800-300(2)	.63	1.94	3.50	3.50
		400-150(2)	16.00	49.28	88.90	88.90
DLA-1000	1	1000-350(2)	.63	1.94	3.50	3.50
		500-185(2)	16.00	49.26	88.90	88.90
L2M2-350	2	350-6(2)	.50(2)	1.37	2.29	4.50
		185-16(2)	12.70(2)	34.80	58.17	114.30
L2D2-350	3	350-6(2)	.50(2)	1.36	2.31	4.25
		185-16(2)	12.70(2)	35.05	58.67	107.96
L2D2-600	3	600-2(2)	.50(2)	1.50	2.75	5.31
		300-15(2)	12.70(2)	36.10	69.85	134.87
LD2-800	3	800-300(2)	.50(2)	1.87	3.50	6.19
		400-150(2)	12.70(2)	47.50	88.90	157.23
L2D2-1000	3	1000-350(2)	.50(2)	1.87	3.50	6.19
		500-185(2)	12.70(2)	47.50	88.90	157.23

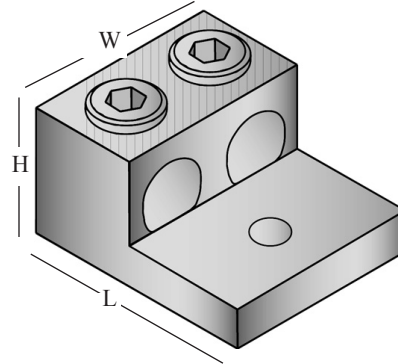


Fig. 1

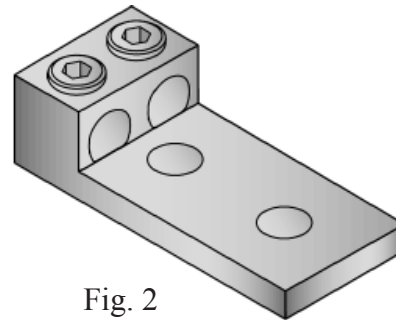


Fig. 2

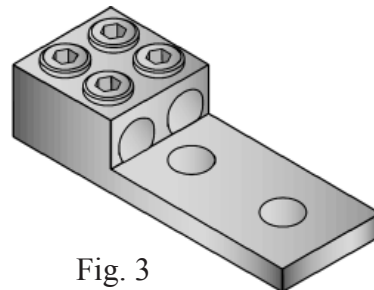


Fig. 3

# THREE-CONDUCTOR SOLDERLESS LUGS

## TYPE L3M2/L3D2/L3M4/L3D4

### DUAL-RATED CONNECTORS FOR ALUMINUM OR COPPER CONDUCTORS

- Manufactured from high strength 6061-T6 aluminum alloy to ensure both maximum strength and conductivity.
- Assembly can be made with only a screwdriver or Allen wrench.
- Connectors are reusable.



Catalog Number	Figure Number	Cond. Range	* Stud Size	H	W	L
		AWG	#	Dimensions - Inches		
		MM	MM	Dimensions - (mm)		
L3M2-1/0	1	1/0-14	.50(2)	.88	2.00	2.91
		50-1.5	12.70(2)	22.35	50.80	73.91
L3M2-3/0	1	3/0-6	.50(2)	1.19	2.81	4.25
		70-16	12.70(2)	30.23	71.37	107.95
L3M2-250	1	250-6	.50(2)	1.19	3.00	4.25
		120-16	12.70(2)	30.23	76.20	107.95
L2M2-350	1	350-6	.50(2)	1.36	3.50	4.50
		185-16	12.70(2)	35.05	88.90	114.30
L3M2-500	1	500-4	.50(2)	1.56	3.75	4.69
		240-16	12.70(2)	39.62	95.25	119.13
L3D2-600	2	600-2	.50(2)	1.50	4.19	5.50
		300-25	12.70(2)	36.10	106.43	139.70
L3D2-800	2	800-300	.50(2)	1.88	4.50	6.19
		40-150	12.70(2)	47.75	114.30	157.23
L3D2-1000	2	1000-350	.50(2)	1.88	5.30	6.19
		500-185	12.70(2)	47.75	134.62	157.23
L3M4-1/0	3	1/0-14	.50(4)	0.88	2.00	2.91
		50-1.5	12.70(4)	22.35	50.8	73.91
L3M4-3/0	3	3/0-6	.50(4)	1.19	2.81	4.25
		70-16	12.70(4)	30.23	71.37	107.95
L3M4-250	3	250-6	.50(4)	1.19	3	4.25
		120-16	12.70(4)	30.23	76.2	107.95
L3M4-350	3	350-6	.50(4)	1.36	3.5	4.50
		185-16	12.70(4)	35.05	88.9	114.30
L3M4-500	3	500-4	.50(4)	1.56	3.75	4.69
		240-16	12.70(4)	39.62	96.26	119.13
L3D4-600	4	600-2	.50(4)	1.50	4.19	5.50
		300-25	12.70(4)	38.10	106.43	139.70
L3D4-800	4	800-300	.50(4)	1.86	4.25	6.19
		400-150	12.70	47.75	107.95	157.23
L3D4-1000	4	1000-350	.50(4)	1.88	5.27	6.19
		500-185	12.70	47.75	133.86	157.23

Note: \*This dimension can be altered per customer requirements.

600V

Material: Aluminum

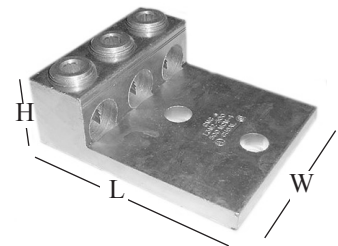


Fig. 1



Fig. 2



Fig. 3



Fig. 4

# SINGLE-HOLE SOLDERLESS LUGS

## TYPE L1M2/L1D2

DUAL-RATED CONNECTORS  
FOR ALUMINUM OR COPPER CONDUCTORS



600V

Material: Aluminum

- Manufactured from high strength 6061-T6 aluminum alloy to ensure both maximum strength and conductivity.
- Assembly can be made with only a screwdriver or Allen wrench.
- Connectors are reusable.
- Electro tin plated to provide low contact resistance and protection against corrosion.

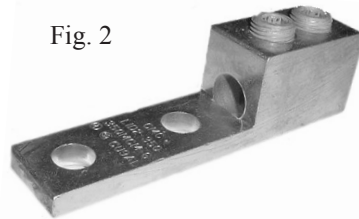
Catalog Number	Figure Number	Cond. Range	*Stud Size	H	W	L
		AWG	#	Dimensions - Inches		
		MM2	MM	Dimensions - (mm)		
L1M2-350	1	350-6	0.50 (2)	1.36	1.25	4.25
		185-16	12.70 (2)	35.05	31.75	107.95
L1M2-600	1	600-2	0.50 (2)	1.50	1.50	4.69
		300-25	12.70 (2)	36.10	36.10	119.13
L1D2-600	2	600-2	0.50 (2)	1.50	1.50	5.31
		300-25	12.70 (2)	36.10	36.10	134.87
L1D2-800	2	800-300	0.50 (2)	1.88	1.88	6.18
		400-15	12.70 (2)	47.75	47.75	156.97
L1D2-1000	2	1000-500	0.50 (2)	1.88	1.88	6.18
		500-240	12.70 (2)	47.75	47.75	156.97

Note: \*This dimension can be altered per customer requirements.

Fig. 1



Fig. 2





# PANELBOARD SOLDERLESS LUGS

## TYPE PV

DUAL-RATED CONNECTORS  
FOR ALUMINUM OR COPPER CONDUCTORS



- Manufactured from high strength 6061-T6 aluminum alloy to insure both maximum strength and conductivity.
- Assembly can be made with only a screwdriver or Allen wrench.
- Connectors are reusable.
- Electro tin plated to provide low contact resistance and protection against corrosion.

Material: Aluminum

Catalog Number	Figure No.	Cond. Range	Stud Size	H	W	L
		AWG		Dimension - Inches		
		MM2	MM	Dimensions - (mm)		
PV2-300	1	300-6(2)	0.31	2.00	1.00	3.00
		156-16(2)	7.87	50.8	25.4	76.2
PV2-500	1	500-4(2)	.38(2)	3.00	1.5	4.91
		240-16(2)	9.65(2)	76.2	38.1	124.71
PV2-600	1	600-2(2)	.38(2)	3.00	1.5	4.91
		300-25(2)	9.65(2)	76.2	36.10	124.71
PV2-750	1	750-1/0(2)	.38(2)	3.00	1.56	4.91
		300-50(2)	9.65(2)	76.20	39.62	124.71
PV3-500	2	500-4(3)	.38(2)	3.00	2.50	4.91
		240-16(3)	9.65(2)	76.2	63.50	124.71
PV3-600	2	600-2(3)	.38(2)	3.00	2.50	4.91
		300-25(3)	9.65(2)	76.2	63.50	124.71
PV3-750	2	750-1/0(3)	.38(2)	3.00	2.84	4.91
		300-50(3)	9.65(2)	76.20	72.14	124.71
PV4-500	3	500-4(4)	.38(2)	3.00	2.50	4.91
		240-16(4)	9.65(2)	76.2	63.50	124.71
PV4-600	3	600-2(4)	.38(2)	3.00	2.50	4.91
		300-25(4)	9.65(2)	76.2	63.60	124.71
PV4-750	3	750-1/0(4)	.38(2)	3.00	2.84	4.91
		300-50(4)	9.65(2)	76.20	72.14	124.71

600V

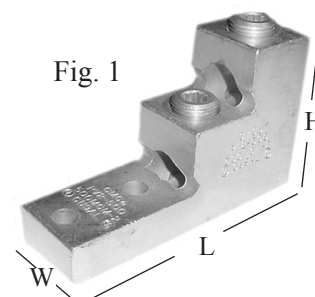


Fig. 1



Fig. 2

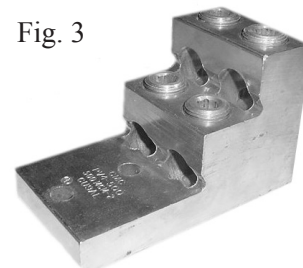


Fig. 3

# PANELBOARD LUGS

## TYPE ABV

DUAL-RATED CONNECTORS  
FOR ALUMINUM OR COPPER CONDUCTORS



LR30117



368L

600V

# Posigrip

- The unique ridges formed on the bottom of the contact surface are designed to provide contact points for an electrically secure joint of the lowest resistance for current flow.
- The screws used to clamp the conductor are designed to extend beyond the barrel sides of the conductor to allow a better, more secure compression of the conductor. This design spreads the conductor strands to help dissipate heat and improve its pull-out safety features and capabilities.
- The design of the wire way provides optimum transfer of current creating a straight line flow through the connector for the least possible path of electrical resistance. In addition, a positive wire stop is provided.
- For installation, CMC® recommends the use of an insulated Allen wrench.
- Electro tin plated to provide low contact resistance and protection against corrosion.

## PATENTED

Catalog Number	Figure No.	Cond. Range	H	W	L	D
		AWG	Dimensions - Inches			
		MM2	Dimensions - (mm)			
2ABV-500	1	500-4	3.00	1.50	4.90	.56
		240-16	76.20	38.10	124.46	14.22
2ABV-600	1	600-2	3.00	1.50	4.90	.56
		300-25	76.20	38.10	124.46	14.22
2ABV-750	1	750-1/0	3.00	1.50	4.90	.56
		300-50	76.20	38.10	124.46	14.22
3ABV-500	2	500-4	3.00	2.50	4.90	.56
		240-16	76.20	63.50	124.46	14.22
3ABV-600	2	600-2	3.00	2.50	4.90	.56
		300-25	76.20	63.50	124.46	14.22
3ABV-750	2	750-1/0	3.00	2.50	4.90	.56
		300-50	76.20	63.50	124.46	14.22
4ABV-500	3	500-4	3.00	2.50	4.90	.56
		240-16	76.20	63.50	124.46	14.22
4ABV-600	3	600-2	3.00	2.50	4.90	.56
		300-25	76.20	63.50	124.46	14.22
4ABV-750	3	750-1/0	3.00	2.63	4.90	.56
		300-50	76.20	66.80	124.46	14.22

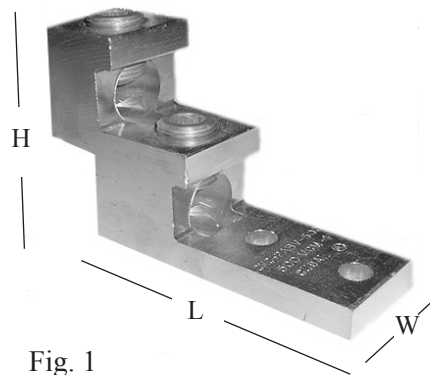


Fig. 1

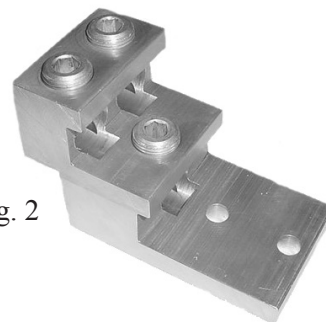


Fig. 2



Fig. 3

# GENERAL PURPOSE TRANSFORMERS CONNECTORS

## TYPE ABV

General Purpose Transformer Connectors

600V

DUAL-RATED CONNECTORS  
FOR ALUMINUM OR COPPER CONDUCTORS

Material: Aluminum

- Compact design relieves cantilever stress.
- Clear Plated for low contact resistance.
- Fully tested to ANSI C119.4 for Class 'A' connectors.
- Designed for installation on standard NEMA bolt holes.
- Fabricated from 6061-T6 aluminum alloy for conductivity and strength.
- Supplied with radial tipped set-screws.

### PATENTED

Catalog Number	Figure No.	No. of Cond.	Cond. Range	Number of Mounting Holes	W	L	H
			AWG - kcmil				
6ABV-500	1	6	500-2	2	3.75	4.90	3.00
6ABV-750	1	6	750-1/0	2	3.75	4.90	3.00
6ABV-750-4	2	6	750-1/0	4	3.75	5.40	3.00

*Designed for installation on standard NEMA bolt holes.*

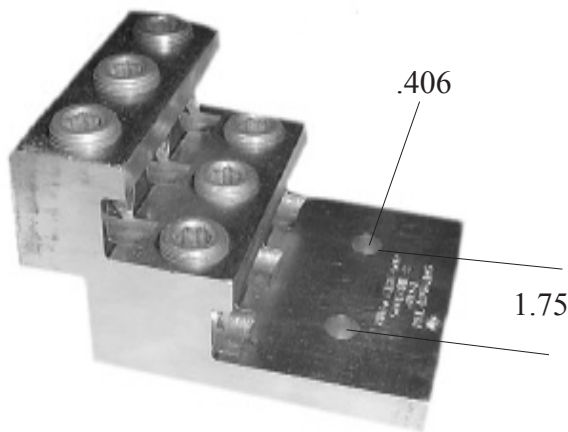


Fig. 1

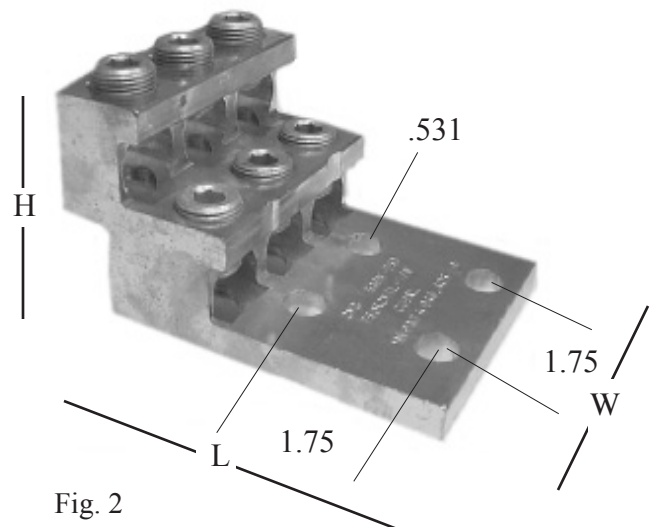


Fig. 2

# ALUMINUM PARALLEL AND TEE-TAPPED CONNECTORS

## TYPE GPT

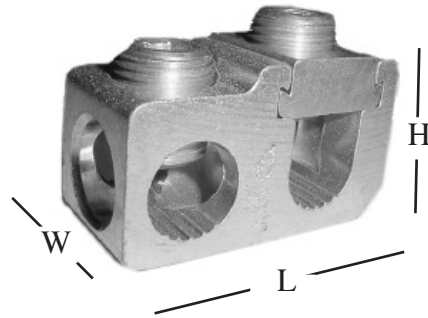
600V

### DUAL-RATED CONNECTORS FOR ALUMINUM OR COPPER CONDUCTORS

- Supplied with tin-plated radial-tipped set-screws and tin plated for low contact resistance.
- Connector fabricated from 6061-T6 aluminum alloy for conductivity and strength.
- CMC® recommends the use of an insulated Allen wrench.

#### Parallel and Tee Tap

Catalog Number	Wire Range		H	W	L
	Main	Tap	Dimensions - Inches		
	MM2	MM2	Dimensions - (mm)		
GPT-2	2-12	4-14	0.88	0.63	1.39
	25-2.5	16-2.5	22.35	16	35.31
GPT-1/0	1/0-2	1/0-14	1.00	0.75	1.75
	50-25	50-1.5	25.4	19.05	44.45
GPT-250-0	250-1/0	1/0-14	1.31	1.00	2.25
	120-50	50-1.5	33.27	25.4	57.15
GPT-250	250-6	250-6	1.31	1.00	2.00
	120-16	120-16	33.27	25.4	50.8
GPT-350	350-4/0	350-6	1.44	1.25	2.56
	185-95	185-16	36.58	31.75	65.02
GPT-500	500-350	500-2	1.13	1.38	3.13
	240-185	240-25	28.7	35.05	79.5
GPT-750	750-500	500-2	2.00	1.50	3.38
	300-240	240-25	50.8	38.1	85.85
GPT-750-A	750-500	750-1/0	2.00	3.50	3.38
	300-240	300-50	50.8	88.9	85.85



*Note:*

- To order the connector and cover together add suffix "C"
- Add suffix "I" to order with co-ox oxide inhibitor.

#### Covers Only

Catalog Number	H	W	L	Cover Color	Use With Connector
	Dimensions - Inches				
	Dimensions - (mm)				
TC-2	1.37	1.11	2.25	Yellow	GPT-2
	34.80	28.19	57.15		GP-2
TC-1/0	2.17	1.26	2.61	Grey	GPT-1/0
	55.12	32.00	66.29		GP-1/0
TC-250	3.18	1.63	3.44	Red	GPT-250
	80.77	41.40	87.38		GP-250
TC-350	3.29	1.76	3.76	Yellow	GPT-350
	83.57	44.70	95.50		GP-350
TC-500	3.34	2.12	4.89	Blue	GPT-500
	84.84	53.85	124.21		GP-500
TC-750	3.45	2.34	4.55	Orange	GPT-750
	87.63	59.44	115.57		GP-750



# INSULATED PHASE LINE CONNECTORS

## TYPE LP

In Span Phase Connectors

600V

### DUAL-RATED CONNECTORS FOR ALUMINUM OR COPPER CONDUCTORS

- Designed for use on open wire or multiple cable secondaries to permit readily accessible service connections.
- The connector is constructed of high quality 6061-T6 for strength and conductivity.
- Takes up to four taps. Taps may be added later without interrupting service or removing cover.
- Impact resistant cover and clamp are clearly marked with easy-to-read cable ranges.
- Extended insulating shields on the cover make cable stripping much easier.

Catalog Number	Conductor Range	Conductor Range	L	H	W
	Main AL - CU	Taps AL - CU	Dimensions - Inches		
LP4-250	250 MCM - 2	4/0 - 14 or 1/0 ACSR	2.37	2.0	.93
LPC-250	Cover				

*Note:*

*--To order the connector and cover together add suffix "C"*

*--Add suffix "I" to order with co-ox oxide inhibitor.*



## TYPE APC

Insulating Cover

- Polyethylene (UV stabilized).
- Eliminates taping.

Cover 1	Fits APC 1/0 & APC 2/0
Cover 400	Fits APC 397 & APC 4/0

Refer to pages G-14 for APC connectors.



# ALUMINUM PARALLEL CLAMPS (EXTRUDED)

## TYPE APC/APR

DUAL-RATED CONNECTORS  
FOR ALUMINUM OR COPPER CONDUCTORS

- Pre-filled with CO-OX oxide inhibitor.
- Furnished with high-stress anodized bolts with integrated washers.
- Heavy-duty distribution connectors suitable for use over armor rod.

Fig. 1

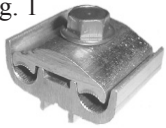
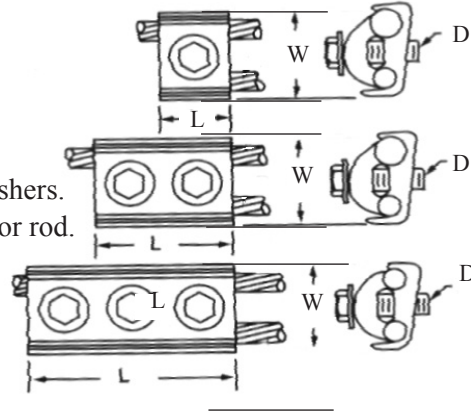
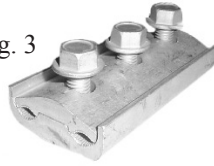


Fig. 2



Fig. 3



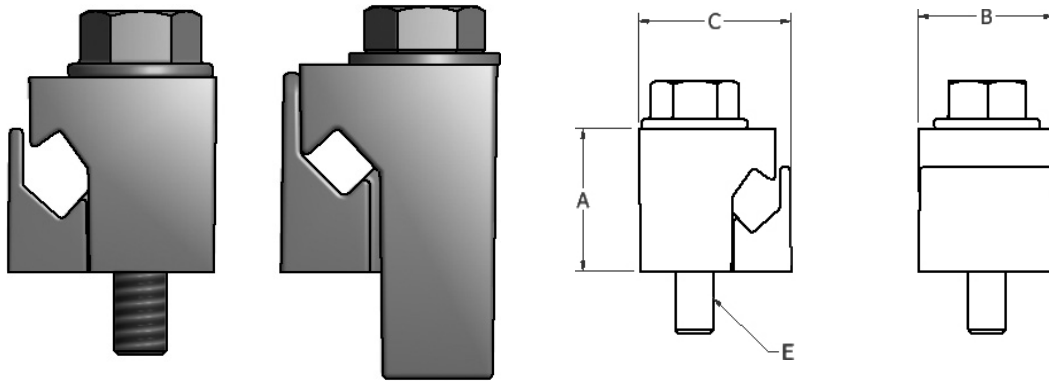
Catalog Number	Figure No.	Conductor Range				L	W	D
		Main "A"	Inches	Tap "B"	Inches	Dimensions - Inches		
			MM2		MM2	Dimensions - (mm)		
APC-1/0I	1	6 sol - 1/0 str.	.17 / .40	6 sol - 1/0 str	.17 / .40	1.312	1.618	3/8
		6 - 1/0 ACSR	4.11 / 10.11	6 - 1/0 ACSR	4.00 / 10.11	33.27	40.89	
APC-2/0I	1	6 sol - 2/0 str.	.17 / .45	6 sol - 2/0 str	.17 / .45	1.375	1.618	3/8
		6 - 2/0 ACSR		6 - 2/0 ACSR				
		6 str AR	4.11 / 11.35	6 str AR	4.11 / 11.35	34.80	40.89	
APC-4/0I	1	2 sol - 4/0 str	.25 / .56	2 sol - 4/0 str	.25 / .56	1.500	1.968	3/8
		4 - 4/0 ACSR		4 - 4/0 ACSR				
		6-4 str. AR	6.35 / 14.30	4 - 4/0 str. Ar	6.35 / 14.30	38.10	50.04	
APC-4/0-2I	2	2 sol - 4/0 str	.25 / .56	2 sol - 4/0 str	.25 / .56	3.00	1.968	3/8
		4 - 4/0 ACSR		4 - 4/0 ACSR				
		6 - 4 str AR	6.35 / 14.30	6 - 4 str AR	6.35 / 14.30	76.2	50.04	
APR-397I	1	3/0 str - 400 MCM	.47 / .78	6 sol - 3/0 str	.18 / .45	1.687	2.562	1/2
		3/0 - 397.5 ACSR		6 - 3/0 ACSR				
		4 str - 2/0 str AR	11.94 / 19.84	6 str AR	4.62 / 11.35	44.5	58.67	
APC-397-2I	2	3/0 str - 400 MCM	.47 / .78	3/0 str - 400 MCM	.47 / .78	3.375	2.562	1/2
		3/0 str - 397.5 ACSR		3/0 str - 397.5 ACSR				
		4 str - 2/0 str AR	11.94 / 19.84	4 str - 2/0 str AR	11.94 / 19.84	85.85	65.02	
APC-397-3I	3	3/0 str - 400 MCM	.47 / .78	3/0 str - 400 MCM	.47 / .78	5.250	2.562	1/2
		3/0 - 397.5 ACSR		3/0 - 397.5 ACSR				
		4 str - 2/0 str AR	11.94 / 19.84	4 str - 397.5 str AR	11.94 / 19.84	133.35	65.024	
APR-1000I	1	400 - 1000 MCM	.73 / 1.15	6 sol - 2/0 str	.17 / .45	2.250	2.750	5/8
		397.5 - 795 ACSR		6 sol - 2/0 ACSR				
		3/0 str - 397.5 AR	18.49 / 29.21	6 str AR	4.11 / 11.35	57.15	69.85	
APR-1000-2I	2	400 - 1000 MCM	.73 / 1.15	3/0 - 400 MCM	.47 / .78	4.50	3.125	5/8
		397.5 - 795 ACSR		3/0 - 397.5 ACSR				
		3/0 str - 397.5 AR	18.49 / 29.21	4 str - 2/0 str AR	11.94 / 19.84	114.3	79.25	
APC-1000-3I	3	400 - 1000 MCM	.73 / 1.15	400 - 1000 MCM	.73 / 1.15	6.00	3.50	5/8
		397.5 - 795 ACSR		397.5 - 795 ACSR				
		3/0 str - 397.5 AR	18.50 / 29.21	3/0 str - 397.5 AR	18.50 / 29.21	152.4	88.9	

Note: For omission of CO-OX oxide inhibitor delete suffix - "I".

# BRONZE DISTRIBUTION CONNECTOR

## TYPE VC

- Complies with all ANSI specifications and provides a vibration-proof connection.
- One-piece design eliminates loose parts and danger of cross threading. “V” grooves assure perfect alignment of conductors and provide self-cleaning during installation.
- The long thread engagement provides strength, ease of covering and protection from the elements for removal and reuse.
- High pressure between conductors at low torque assures a strong mechanical joint and high electrically conductive contacts.
- Easy installation with gloves or “hot sticks”.
- Overlapping wide range and complete selection for all conductors, permits smaller inventory.
- The broad base permits assembly on structures or pads as a ground connector for cable flat applications.



Catalog Number	Conductor Range		Wire Diameter Range - Inches	A	B	C	Bolt Head
	Max	Min		Approx. Dimensions - Inches			
VC-6 VC-6SH*	#6 Sol.	#11 Sol.	.162-.101	0.93	0.58	0.45	3/8
VC-4	#4 Sol.	#8 Sol.	.232-.128	1.25	0.71	0.49	3/8
VC-2	#2 Sol.	#6 Sol.	.286-.162	1.20	0.76	0.88	9/16
VC-2S	#2 Sol.	#5 Sol.	.320-.181	1.38	0.75	1.00	9/16
VC-20	#1/0 Sol.	#4 Sol.	.390-.204	1.50	0.84	1.00	9/16
VC-20S	#2/0 Sol.	#3 Sol.	.438-.229	1.71	1.00	1.00	9/16
VC-40	#4/0 Sol.	#1 Sol.	.552-.289	2.00	1.00	1.30	9/16

*Note: \*SH - Slotted Head. Add suffix “TP” for tin plating.*