


1) CONSTRUCTION:		NOM. DIA.
CONDUCTOR:	22 AWG 7/30 STRANDED TINNED COPPER	.030"
INSULATION:	POLYVINYLCHLORIDE, .016" NOM. WALL THICKNESS	.062"
CABLE:	(2) COLOR CODED SINGLES TWISTED TOGETHER WITH FILLERS AND WRAPPED WITH A CLEAR POLYESTER BINDER TO FORM A CABLE CORE.	.127"
SHIELD:	AN OVERALL ALUMINUM POLYESTER FOIL SHIELD (FOIL IN, 100% COVERAGE) SHALL BE APPLIED OVER THE CABLE CORE AND SHALL INCLUDE A 22 AWG 7/30 STRANDED TINNED COPPER DRAIN WIRE IN CONTACT WITH THE METALIZED SURFACE.	.130"
RIPCORD:	INCLUDED UNDER JACKET FOR STRIPPING	
JACKET:	POLYVINYLCHLORIDE, CHROME GRAY, .032" NOM. WALL THICKNESS. OVER ALL CABLE DIAMETER	.194"

2) PHYSICAL PROPERTIES:	
TEMPERATURE RATING, MAX.	105° C
WT./M', NOM., NET.	21.6 LBS.

3) ELECTRICAL CHARACTERISTICS:	
CAPACITANCE, MUTUAL, NOM.	30 PF/FT.
CAPACITANCE, GROUNDED, NOM.	55 PF/FT.
DIELECTRIC WITHSTANDING, MIN.	2000V RMS
VOLTAGE RATING, MAX.	600V
D.C. RESISTANCE, MAX. PER ASTM B286	16.7 Ω/1000'

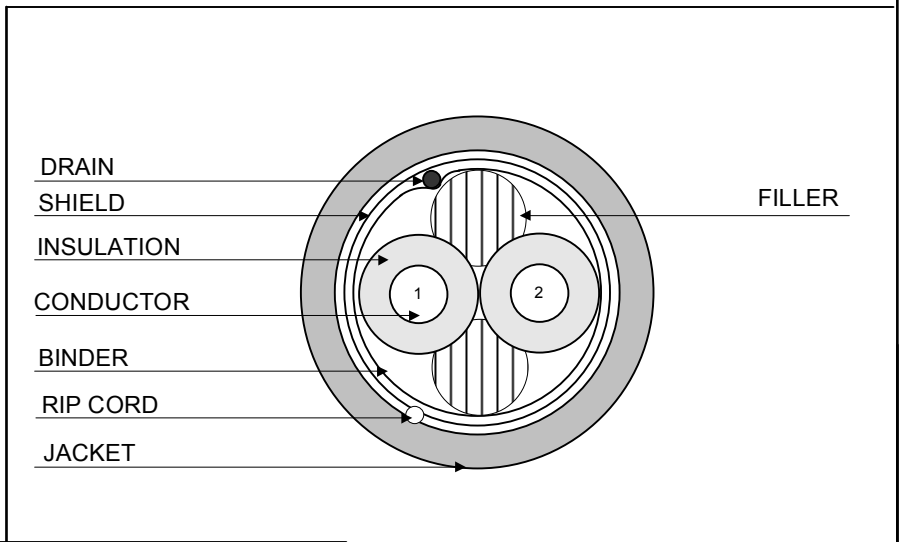
4) AGENCY APPROVALS:
 CSA AWM FT4
 UL AWM STYLE 2586 105C 600V


5) APPLICATION:

6) PRINT:
 E69976  AWM 2586 VW-1 -- CSA LL51726 AWM I/II A/B 105C 600V FT4 -- (LOT DESIGNATOR)

7) COLOR CODE:
 1. BLACK
 2. BROWN

8) PACKAGING
 TO BE PACKAGED AS PER QWC'S
 STANDARD PACKAGING



REVISION 01	DATE:	DRAWN <i>B. Duczajski</i> 8/21/07	
REVISED BY		CHECKED <i>J. Kucmider</i> 8/21/07	
CHECKED		CHECKED	
CHECKED		CUSTOMER APPROVAL:	DATE:
		TITLE 2/C 22 AWG -- AWM 2586, CSA AWM FT4 CABLE -- SHIELDED	
		QUABBIN P/N	0801 1 OF 1