

UL22/70/DM

TILE REPLACEMENT

2' x 2' UL Listed Fire Signaling Device with Mounts for Strobes, Smoke Detectors, Indicator Lights & Cameras



GENERAL DESCRIPTION

The **UL22/70/DM** is a complete 2' x 2' UL listed fire signaling device providing superior voice intelligibility performance, shallow depth, lightweight, fire-protective signaling device with built-in device mount to accommodate 3rd party strobes, smoke detectors, indicator lights & cameras. Components include: an 8" O.D. loudspeaker, 10-oz. magnet, fire retardant loudspeaker with a 4W-70V rotary select transformer and integral junction box for secure and inspectable connections. Integral enclosure is 1,283 CID molded fiber. Grille is perforated steel with four (4) seismic tie-off points in a white powder coat finish. Line supervision capacitor is included. **No assembly required. 4-14 gauge color-coded appliance wiring included.**

UL Listed 1480 (UUMW)

TYPE F - As a Fire Protective Signaling device when installed with supplied installation instructions and requirements of NEC/AHJ

UL Listed 2043 - Suitable for use in air-handling spaces.

ASTM E84 - Includes integral backbox that meets/exceeds flame & smoke test w/3 hour burn rating.

CSFM Certified #7320-2288:0500 - Listed as speakers for use with separately listed compatible fire alarm control units.

INTENDED USE - Mass Notification & Emergency Communications

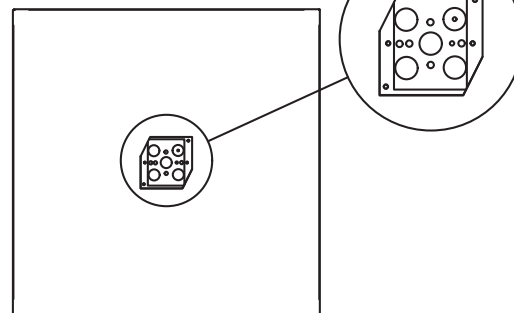
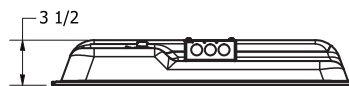
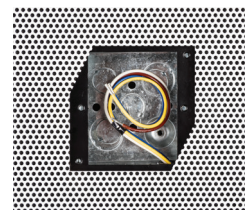
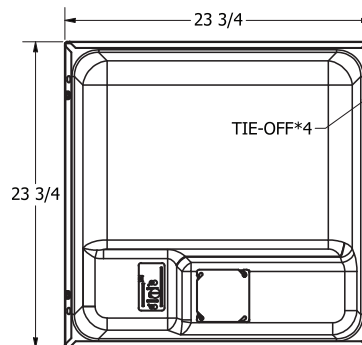
Installation	In a 2'x 2' or 2'x 4' wide ceiling tile grid
Program Material	Signal tones and voice

AUDIO SPECIFICATIONS

Sound Pressure dB-SPL @10 ft. per Tap	1/4=78.5, 1/2=81.3, 1=84.1, 2=87.2, 4=89.8
Loudspeaker Power Rating	20W RMS, EIA 426A Standard
Magnet Type & Weight	BeFe Ceramic, 10 oz. Nominal
Frequency Response	60 Hz - 17 kHz EIA 426A Standard
Nominal Coverage Angle	100° Included Angle, -6 dB / 2 kHz, Half space
Audio Connection	Common : Dual, color-coded leads, pre-cut

SYSTEM COMPONENTS

Loudspeaker	8C10PAFR
Transformer	70V 4W-5 tap Rotary Select (4W, 2W, 1W, 0.50W, 0.25W)



ADDITIONAL MODELS

UL22/70 2' x 2' UL Listed Fire Signaling Device For Mass Notification & Emergency Communications

UL22/70/JB 2' x 2' UL Listed Fire Signaling Device With Built-In Junction Box For Mass Notification & Emergency Communications

Recommended construction sequences, installation instructions, and A&E Specifications are available in various formats in the Specs and Diagrams section at: www.QuamSpeakers.com



QUAM NICHOLS COMPANY, INC.
234 East Marquette Road. Chicago, IL. 60637
t: 1-800-NEED-NOW (800-633-3669)
f: 1-888-NEED-NOW (888-633-3669)
e: NeedNow@QNC.com
www.QuamSpeakers.com