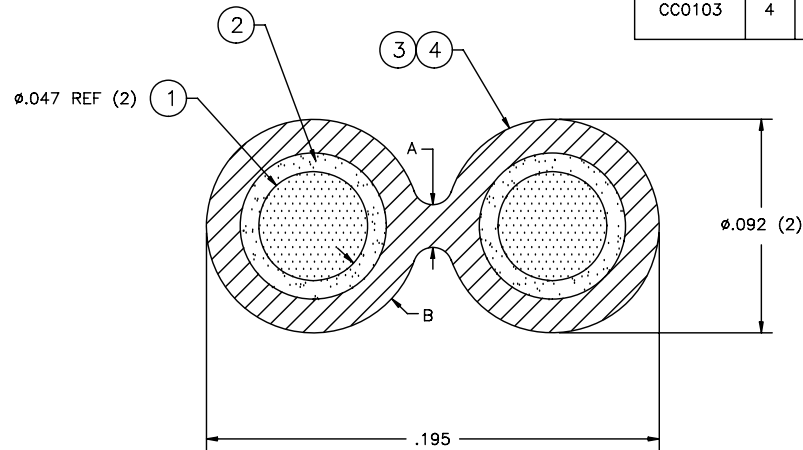


REVISIONS			
REV	DATE	INITIALS	DESCRIPTION
A	1/12/94	SS	RELEASED
B	6/18/99	AL/AP	SEE ECO #99-150
C	7/18/05	MB/MB	SEE ECO #05-139
D	1/9/08	HS/MB	SEE ECO #07-369

PARTS LIST			
PART #	ITEM	QTY	DESCRIPTION
TC1810	1	.0100 LB	18 65/36 TC .047 OD
MI0065	2	.0001 LB	MICROTALC
IP0631	3	.0042 LB	UE630 ULTRATHENE, EVA
CC0103	4	.0588 GM	#101-E CC PE, WHT FDA



BUNDLE/CORE	NA	<input type="checkbox"/> LH	<input type="checkbox"/> RH	INCH LAY
SHIELD	NA			%COV; <input type="checkbox"/> LH <input type="checkbox"/> RH
WRAP	NA	<input type="checkbox"/> LINEAR	<input type="checkbox"/> SPIRAL	
JACKET O.D.	.092 ±.003 X .195 ±.010			
JACKET COLOR	WHITE	FINISH	SATIN	
SPECIAL FEATURES	A < B			

ALL DIMENSIONS ARE IN INCHES UNLESS OTHERWISE SPECIFIED	DRAWN BY	M. BALLA	DATE	1/5/94	Minnesota Wire & Cable Co. 1835 Energy Park Drive St. Paul, MN, U.S.A., 55108 651-642-1800	1903 North Oxford Avenue Eau Claire, WI, U.S.A., 54703 715-833-2224	SCALE	20X
	CHECKED BY	S. STOUT	DATE	1/10/94			TITLE	18 65/36 TC 2/C PARA, EVA WHT CABLE
CUSTOMER DWG NO	DESIGN	R.B. CASS	DATE	1/10/94				
CUSTOMER PART NO	MANUFACTURING	N/A	DATE	N/A	NAME/CO	SURVIVA LINK	SHEET	1 OF 1
	QUALITY	N/A	DATE	N/A			DWG NO	17793