

# HUESON WIRE

Technical Data Sheet

Hueson Wire  
38 Sutton Street  
Northbridge, MA 01534  
508-234-6372  
www.huesonwire.com

**Issue Date:** 5/21/2015

**Issue:** 4

## Construction

Description: 2/C 22 7/30 TC HDPE Anti-Capillary Zip-Cord		Diam. (In)
Component:	2 Conductors	
Conductor:	22 AWG 7/30 Waterblocked to ASTM B-470	0.030"
Insulation:	.015" High Density Polyethylene	0.060"
Color Code:	Black (both conductors)	0.060"
Assembly:	Extrude 2 Parallel Conductors	.0120"
Print:	No Print Required	
Specifications:	<u>Temp</u> <u>Voltage</u> 80°C    600 Volts	

### Environmental Compliance

EU Directive 2002/95/EC(RoHS):

All materials used in the manufacture of this part are in compliance with EU Directive 2002/95/EU regarding the restriction of use of certain hazardous substances in electrical and electronic equipment.

REACH Regulation (EC 1907/2006):

This product does not contain Substances of Very High Concern (SVHC) listed on the European Union's REACH candidate list in excess of 0.1% mass of the item.

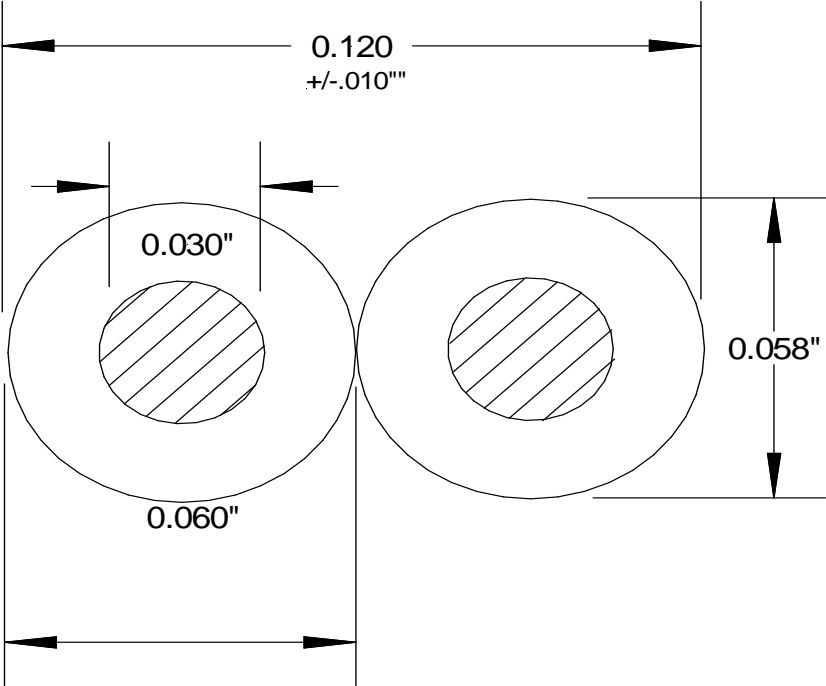
California Prop 65:

The outer surface materials used in the manufacture of this part meet the requirements of California Prop. 65.

Hueson Wire  
38 Sutton Street  
Northbridge, MA 01534  
508-234-6372  
www.huesonwire.com

Issue Date: 5/21/2015  
Issue: 4

**Drawing/Rotation:**



\*\*\*This is our target diameter, tollerances will be finalized after a discussion with Tooling manufacturer and our plant manager prior to placement of initial order.