

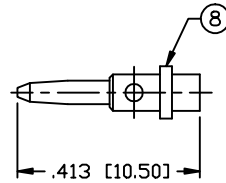
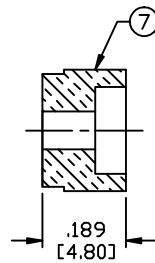
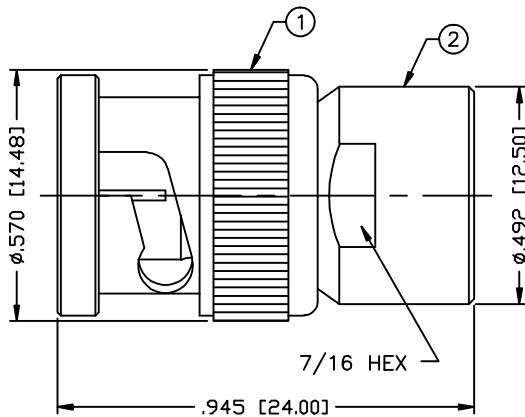
THIS DRAWING CONTAINS INFORMATION PROPRIETARY TO RF INDUSTRIES,
 ANY UNAUTHORIZED USE OF THIS DRAWING IS EXPRESSLY PROHIBITED
 WITHOUT WRITTEN PERMISSION FROM RF INDUSTRIES.
 ANY VIOLATION IS PUNISHABLE UNDER U.S. COPYRIGHT LAWS.

ALL DIMENSIONS ARE REFERENCE ONLY

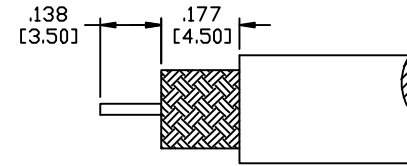
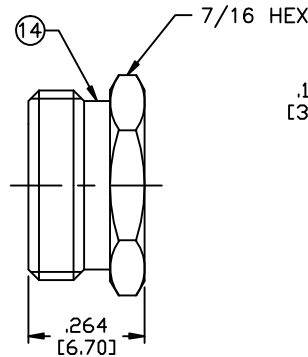
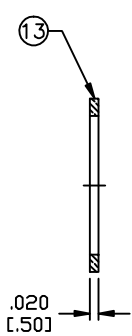
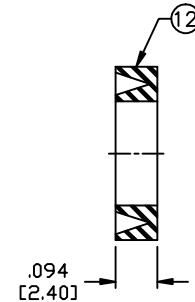
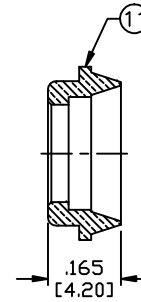
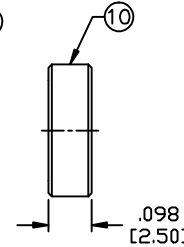
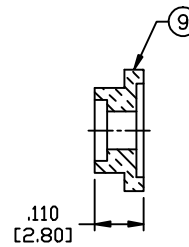
PART NO.

RFB-1701-D

REV	DESCRIPTION	DWN	DATE	APPROVED
-	ENGINEERING RELEASE	CZS	6/20/02	JDMc
A	CHANGE IMPEDANCE CALLOUT FROM 50 OHM	CZS	04/10/12	JDMc



RECOMMENDED SOLDER PIN



RECOMMENDED STRIPPING DIMENSIONS

SPECIFICATIONS:

IMPEDANCE: 75 Ohms
 FREQUENCY RANGE: 0-4 GHz
 WORKING VOLTAGE: 500 V rms @ sea level
 TEMPERATURE RANGE: -65°C TO 85°C
 INSULATION RESISTANCE: 5k M Ohms min.
 FOR RG-59, 59A, 59B, 62, 62A, 62C/U; ALPHA 9059, 9062,
 9830, 9840, 9845; BELDEN 8221, 8241, 9169, 9204,
 9228; CANARE LV-61S; CommScope 5555, 5560, 5563

#	DESCRIPTION	QTY	MATERIAL	FINISH	APPROVALS	DATE
1	SHELL	1	BRASS	NICKEL, 100μ"		
2	BODY	1	BRASS	NICKEL, 100μ"		
3	GASKET	1	SILICONE	----		
4	RETAINING RING	1	BRASS	NICKEL, 100μ"		
5	SPRING	1	SK-5	NICKEL, 200μ"		
6	WASHER	1	BRASS	NICKEL, 100μ"		
7	INSULATOR	1	PTFE	----		
8	PIN	1	BRASS	GOLD, 3μ"		
9	INSULATOR	1	PTFE	----		
10	RING	1	BRASS	NICKEL, 100μ"	DRAWN C. ZUNIGA	04/10/12
11	CLAMP	1	BRASS	NICKEL, 100μ"	CHECKED	
12	GASKET	1	SILICONE	----		
13	WASHER	1	BRASS	NICKEL, 100μ"	ORJ DRAWN C. ZUNIGA	11/5/02
14	HEX NUT	1	BRASS	NICKEL, 100μ"		

008974

UNLESS OTHERWISE SPECIFIED:

1. REMOVE ALL BURRS
2. BREAK ALL CORNERS & EDGES .005 R. MAX.
3. CHAMFER 1ST & LAST THREADS 45°
4. SURFACE ROUGHNESS 63 FINISH MIL-STD-10
5. DIAMETERS ON COMMON CENTERS TO BE CONCENTRIC WITHIN .002 T.I.R.
6. ALL DIMENSIONS ARE AFTER PLATING.

DIMENSIONS ARE IN INCHES
 AND [MILLIMETERS]

UNLESS OTHERWISE NOTED
 TOLERANCES ARE:

DECIMALS	DIAMETER
.xxx±.003 [.08]	.xxx±.001 [.03]
.xx±.005 [.13]	.xx±.003 [.08]

RFconnectors
 DIVISION OF RF INDUSTRIES, LTD.

7610 MIRAMAR RD
 SAN DIEGO, CA 92126
 (858) 549-6340
 (858) 549-6345 FAX

BNC PLUG, CLAMP

SIZE	CABLE GROUP	DWG NO.	REV
A	D	RFB-1701-D	A
SCALE: NTS		CAD FILE OUTLINE	SHEET 1 OF 1