

OVERHEAD HORIZONTAL CABLE TROUGH FOR RACKS



Horizontal cable trough
(trough, joiners, and end cap)



Horizontal cable trough - high density
(trough, joiners, and end cap)

Features:

- Heavy gauge steel
- Manage cables across top of rack
- Modular design for easy moves and adds
- Durable textured powder coated finish

Highlights:

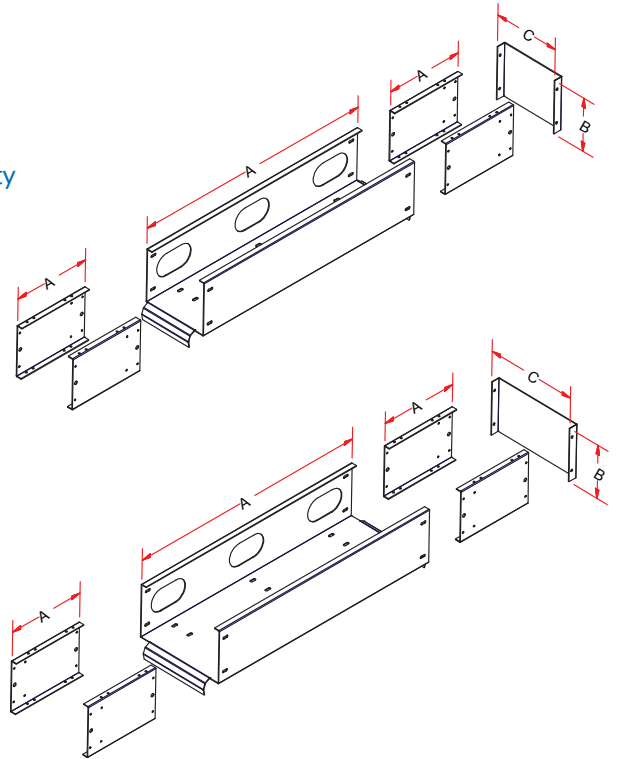
- Easy to assemble and install
- Trough spans rack; joiners span vertical cable managers and join troughs. End caps finish the end of row
- Waterfall design on ends of troughs support cables as they transition into vertical CMS

Horizontal cable trough

PART DESCRIPTION	PART NUMBER	A	B	C
HCT FOR 19" EIA RACKS	RFM-119-HCT	21.50	4.75	5.88
HCT FOR 23" EIA RACKS	RFM-123-HCT	25.50	4.75	5.88
END CAP FOR 5" TROUGH*	RFM-HCT5E	0.75	4.75	5.88
JOINER FOR END CAP	RFM-HCTJ-0	1.625	4.50	n/a
SPANS 5" VERT. CMS	RFM-HCTJ-5	6.90	4.50	n/a
SPANS 8" VERT. CMS	RFM-HCTJ-8	9.90	4.50	n/a
SPANS 10" VERT. CMS	RFM-HCTJ-10	11.75	4.50	n/a

Horizontal cable trough - high density

PART DESCRIPTION	PART NUMBER	A	B	C
HCT FOR 19" EIA RACKS	RFM-119-HCT-8	21.50	4.75	7.88
END CAP FOR 8" TROUGH*	RFM-HCT8E	ADJ.	4.75	7.63
JOINER FOR END CAP	RFM-HCTJ-0	1.625	4.50	n/a
SPANS 8" VERT. CMS	RFM-HCTJ-8	9.90	4.50	n/a
SPANS 10" VERT. CMS	RFM-HCTJ-10	11.75	4.50	n/a
SPANS 12" VERT. CMS	RFM-HCTJ-12	13.75	4.50	n/a
SPANS 15" VERT. CMS	RFM-HCTJ-15	16.75	4.50	n/a
SPANS 18" VERT. CMS	RFM-HCTJ-18	19.75	4.50	n/a



*Note: HCT End Cap (p/n RFM-HCTxE) req's Joiner (p/n RFM-HCTJ-xx). Proper joiner size selection depends on depth of cable manager installed.