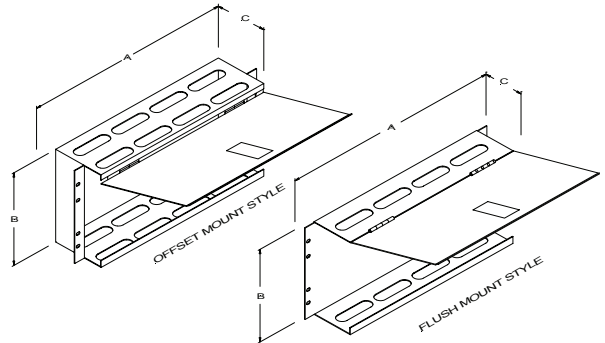


## HORIZONTAL CABLE MANAGER



- Heavy gauge steel
- Door latches closed
- Durable black textured powder coated finish
- Custom sizes available on request



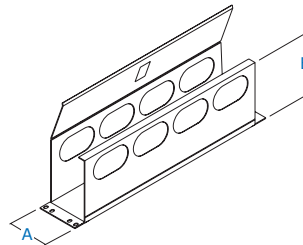
19" EIA Mounting					
	PART NUMBER	A	B	C	# of U's
FLUSH	RFM-191D-HCM	19.00	1.75	2.40	1U
FLUSH	RFM-192D-HCM-TD	19.00	3.50	2.40	2U
FLUSH	RFM-194D-HCM	19.00	7.00	2.40	4U
OFFSET	RFM-195D-HCM	19.00	8.63	4.75	5U

## HORIZONTAL CABLE MANAGER: EXTRA DEEP



- Heavy gauge steel
- Door latches closed
- Designed for use with patch cords with extra long boots
- Durable black textured powder coated finish

19" EIA Mounting			
PART NUMBER	A	B	# of U's
RFM-191D-HCM-D	1.75	5.5	1U
RFM-192D-HCM-D	3.50	5.5	2U
RFM-195D-HCM-D	8.75	5.5	5U



## HORIZONTAL CABLE MANAGER: ZERO U



- Zero u horizontal cable manager takes up no rack space, bolts to patch panel or powerbar, etc.
- Provisions for cable ties
- Durable black textured powder coated finish

PART NUMBER	A	B
RFM-0UHCM-19	19" EIA	3.00
RFM-0UHCM-19-5	19" EIA	5.00

