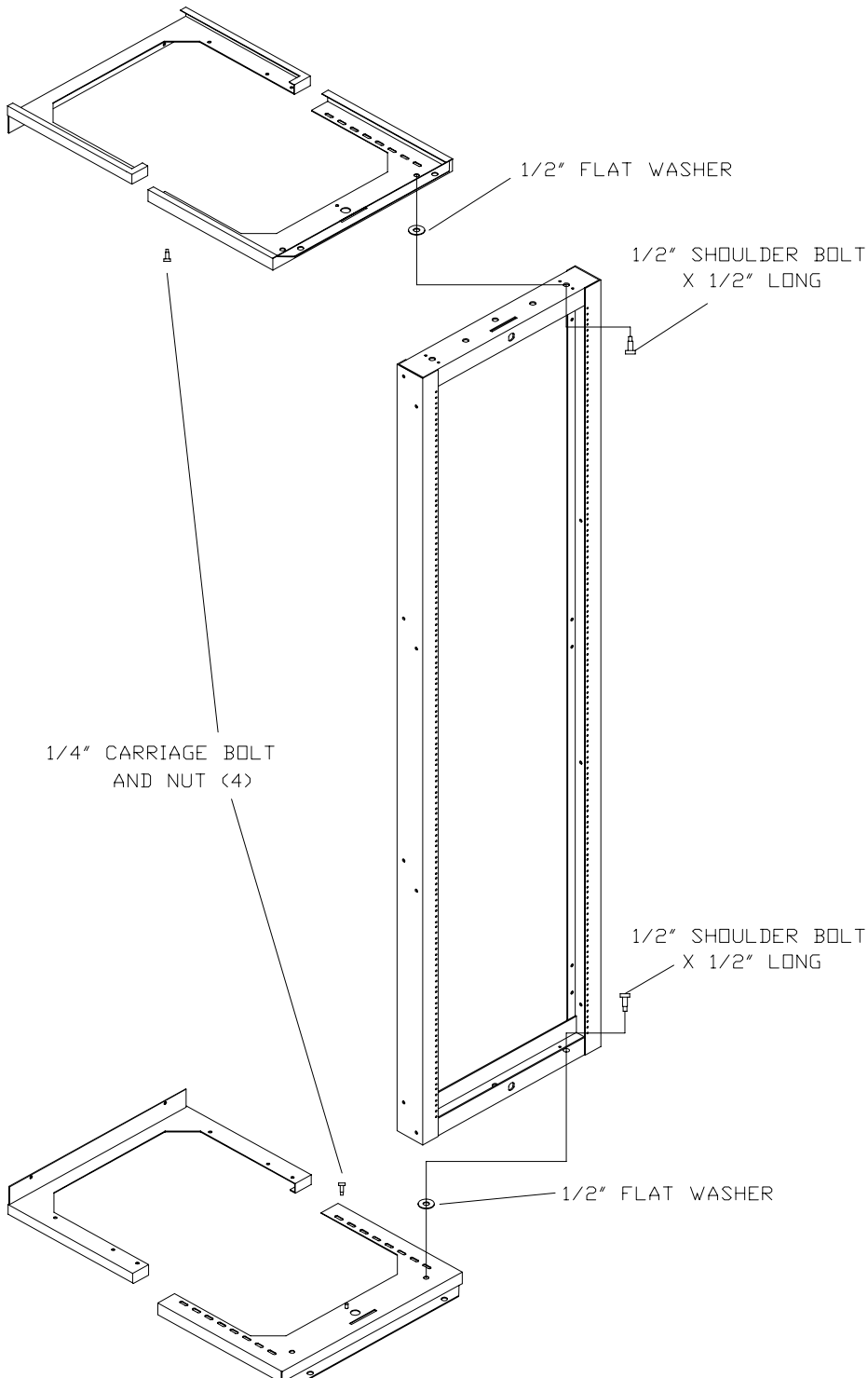


ASSEMBLY INSTRUCTIONS: WALL MOUNT SWING-OUT RACK RFM-1944-RSO-ADJ



STEP 1:
DETERMINE RACK POSITION / LOCATION

STEP 2:
ASSEMBLE TOP AND BOTTOM WALL MOUNT BRACKETS USING SUPPLIED 1/4-20 x 3/4" CARRIAGE BOLTS AND NUTS (SEE DIAG.)

STEP 3:
DETERMINE WHICH WAY THE RACK WILL SWING OPEN (DIAG. SHOWS RIGHT HAND SIDE PIVOT POINT)

STEP 4:
ATTACH WALL MOUNT BRACKETS TO RACK USING 1/2" SHOULDER BOLTS (NUT IS WELDED TO BRACKETS) AND FLAT WASHERS (SEE DIAG.)

(NOTE: BE SURE TO PLACE THE WASHERS BETWEEN THE RACK FRAME AND THE BRACKET AS THIS BECOMES THE PIVOT POINT)

STEP 5:
LOCK RACK IN PLACE USING COIN LOCK

STEP 6:
STAND THE ASSEMBLY VERTICALLY AND POSITION IT WITH BRACKETS FACING THE WALL.

STEP 7:
SECURELY FASTEN ASSEMBLED RACK UNIT TO THE WALL

STEP 8:
HORIZONTAL BRACKET ADJUSTMENTS (TOP OR BOTTOM) ALLOW THE UNIT TO MOVE CLOSER TO, OR FURTHER AWAY, FROM THE WALL. LOOSEN THE 1/4" CARRIAGE BOLTS AND SLIDE THE BRACKETS IN OR OUT AS REQUIRED. SECURE BRACKET BOLTS ONCE DESIRED POSITION IS DETERMINED.