

# R.F.MOTE

The Difference is Engineered Quality

## *Cabinets, Racks, and Accessories*

Product Listing



RFM-0UHCM-19	5.1.1	RFM-1935-MA-SQ	1.5.1	RFM-2419-1-RP	6.2.3	RFM-244235	1.3.1	RFM-2490-2	1.3.2
RFM-0UHCM-19-5	5.1.1	RFM-1938-RB	4.1.1	RFM-2419-11-RP	6.2.3	RFM-244235	1.3.1	RFM-300683-EXT	1.2.8
RFM-1-FAN	2.1.1	RFM-1938-RB-SQ	4.1.1	RFM-2419-2-RP	6.2.3	RFM-244235-U-19-B	1.2.2	RFM-301583-EXT	1.2.8
RFM-10-FAN	2.1.1	RFM-1938-RSO-ADJ	3.1.3	RFM-2419-4-RP	6.2.3	RFM-244235-US-19-B	1.2.3	RFM-3022-WM-20	3.1.1
RFM-1083-HDC	1.5.9	RFM-1944-RB	4.1.1	RFM-242435-U-19-B	1.2.2	RFM-244235-US-19P	1.2.4	RFM-3022-WM-6X	3.1.1
RFM-1083-HDC	1.5.10	RFM-1944-RB-SQ	4.1.1	RFM-242459-U-19-B	1.2.2	RFM-244259	1.3.1	RFM-3022-WM-MA	3.1.1
RFM-1090-HDC	1.5.9	RFM-1944-RB-TBS	4.1.1	RFM-242472-U-19-B	1.2.2	RFM-244259	1.3.1	RFM-3022483	1.3.1
RFM-1090-HDC	1.5.10	RFM-1944-RSO-ADJ	3.1.3	RFM-242483	1.3.1	RFM-244259-U-19-B	1.2.2	RFM-3030-FP	1.8.1
RFM-119-HCT	4.1.7	RFM-1948-RB	4.1.1	RFM-242483-U-19-B	1.2.2	RFM-244259-US-19-B	1.2.3	RFM-303035	1.3.1
RFM-119-HCT-8	4.1.7	RFM-1948-RB-SQ	4.1.1	RFM-2430-FP	1.8.1	RFM-244259-US-19P	1.2.4	RFM-303035-U-19-B	1.2.1
RFM-123-HCT	4.1.7	RFM-1948-RB-TBS	4.1.1	RFM-243035	1.3.1	RFM-244272	1.3.1	RFM-303035-US-19-B	1.2.3
RFM-1716-CFS-4	1.6.2	RFM-194D-HCM	5.1.1	RFM-243035-U-19-B	1.2.2	RFM-244272	1.3.1	RFM-303059	1.3.1
RFM-1719-CFS-4	1.6.2	RFM-194D-HCM-FD	5.1.2	RFM-243035-US-19-B	1.2.3	RFM-244272-U-19-B	1.2.2	RFM-303059-U-19-B	1.2.1
RFM-1720-CRS	1.6.1	RFM-1959-MA	1.5.1	RFM-243059	1.3.1	RFM-244272-US-19-B	1.2.3	RFM-303059-US-19-B	1.2.3
RFM-1720-CRS-24	1.6.1	RFM-1959-MA-24	1.5.1	RFM-243059-U-19-B	1.2.2	RFM-244272-US-19P	1.2.4	RFM-303072	1.3.1
RFM-1726-CFS-4	1.6.2	RFM-1959-MA-24-SQ	1.5.1	RFM-243059-US-19-B	1.2.3	RFM-244283	1.3.1	RFM-303072-U-19-B	1.2.1
RFM-1726-CFS-4-1U	1.6.2	RFM-1959-MA-SQ	1.5.1	RFM-243072	1.3.1	RFM-244283-U-19-B	1.2.2	RFM-303072-US-19-B	1.2.3
RFM-1820-CFS-24	1.6.1	RFM-195D-HCM	5.1.1	RFM-243072-U-19-B	1.2.2	RFM-244283-US-19-B	1.2.3	RFM-303083	1.3.1
RFM-1829-CFS-24	1.6.1	RFM-195D-HCM-D	5.1.1	RFM-243072-US-19-B	1.2.3	RFM-244283-US-19P	1.2.4	RFM-303083-U-19-B	1.2.1
RFM-19-PBH-20A	6.1.1	RFM-1972-MA	1.5.1	RFM-243083	1.3.1	RFM-244283-US-19S	1.2.6	RFM-303083-US-19-B	1.2.3
RFM-19-PBH-8	6.1.1	RFM-1972-MA-24	1.5.1	RFM-243083-U-19-B	1.2.2	RFM-244290	1.3.1	RFM-303090-US-19-B	1.2.3
RFM-19-PBHT	6.1.1	RFM-1972-MA-24-SQ	1.5.1	RFM-243083-US-19-B	1.2.3	RFM-244290-U-19-B	1.2.2	RFM-3035-1	1.3.2
RFM-19-PBHT-20A	6.1.1	RFM-1972-MA-SQ	1.5.1	RFM-243090-US-19-B	1.2.3	RFM-244290-US-19-B	1.2.3	RFM-3035-1-P	1.3.2
RFM-1902-HWMB	3.1.5	RFM-1983-MA	1.5.1	RFM-2435-1	1.3.2	RFM-244290-US-19-P	1.2.4	RFM-3035-2	1.3.2
RFM-1904-WMB	3.1.5	RFM-1983-MA-24	1.5.1	RFM-2435-1-P	1.3.2	RFM-244883	1.3.1	RFM-3035-3	1.3.2
RFM-1906-HWMB	3.1.5	RFM-1983-MA-24-SQ	1.5.1	RFM-2435-2	1.3.2	RFM-244883	1.3.1	RFM-3035-4	1.4.1
RFM-1906-WMB	3.1.5	RFM-1983-MA-OS	1.5.4	RFM-2435-3	1.3.2	RFM-244883-U-19-B	1.2.2	RFM-3035-4P	1.4.1
RFM-1909-HWMB	3.1.5	RFM-1983-MA-SQ	1.5.1	RFM-2436-FP	1.8.1	RFM-244883-US-19-B	1.2.3	RFM-3036-FP	1.8.1
RFM-1909-RFS	4.1.9	RFM-1990-MA	1.5.1	RFM-2436-WM-LP	3.1.2	RFM-244883-US-19P	1.2.4	RFM-3036-WM-20	3.1.1
RFM-1909-WMB	3.1.5	RFM-1990-MA-24	1.5.1	RFM-2436-WM-LP-6	3.1.2	RFM-244890	1.3.1	RFM-3036-WM-6X	3.1.1
RFM-1911-HWMB-22	3.1.5	RFM-1990-MA-24-SQ	1.5.1	RFM-243635	1.3.1	RFM-244890-U-19-B	1.2.2	RFM-3036-WM-MA	3.1.1
RFM-1911-WMB-22	3.1.5	RFM-1990-MA-SQ	1.5.1	RFM-243635	1.3.1	RFM-244890-US-19-B	1.2.3	RFM-303635	1.3.1
RFM-1912-RFS	4.1.9	RFM-2-FAN	2.1.1	RFM-243635-U-19-B	1.2.2	RFM-244890-US-19-P	1.2.4	RFM-303635-U-19-B	1.2.1
RFM-1915-RFS	4.1.9	RFM-2220-CRS	1.6.1	RFM-243635-US-19-B	1.2.3	RFM-2459-1	1.3.2	RFM-303635-US-19-B	1.2.3
RFM-1918-RWF-ADJ	3.1.4	RFM-2222-CB	6.2.5	RFM-243635-US-19P	1.2.4	RFM-2459-1-DD	1.3.3	RFM-303635-US-19P	1.2.4
RFM-1918-RWS-ADJ	3.1.3	RFM-2319-1-RP	6.2.3	RFM-243659	1.3.1	RFM-2459-1-P	1.3.2	RFM-303659	1.3.1
RFM-191D-HCM	5.1.1	RFM-2319-11-RP	6.2.3	RFM-243659	1.3.1	RFM-2459-1-P-DD	1.3.3	RFM-303659-U-19-B	1.2.1
RFM-191D-HCM-D	5.1.1	RFM-2319-2-RP	6.2.3	RFM-243659-U-19-B	1.2.2	RFM-2459-2	1.3.2	RFM-303659-US-19-B	1.2.3
RFM-191D-HCM-F	5.1.2	RFM-2319-4-RP	6.2.3	RFM-243659-US-19-B	1.2.3	RFM-2459-2-DD	1.3.3	RFM-303659-US-19P	1.2.4
RFM-191D-HCM-FD	5.1.2	RFM-2320-CFS	1.6.1	RFM-243659-US-19P	1.2.4	RFM-2459-3	1.3.2	RFM-303672	1.3.1
RFM-1920-DRFS	4.1.9	RFM-2324-RB	4.1.1	RFM-243672	1.3.1	RFM-2472-1	1.3.2	RFM-303672-U-19-B	1.2.1
RFM-1920-RRS	4.1.9	RFM-2329-CFS	1.6.1	RFM-243672	1.3.1	RFM-2472-1-DD	1.3.3	RFM-303672-US-19-B	1.2.3
RFM-1921-RFS	4.1.9	RFM-2335-MA	1.5.1	RFM-243672-U-19-B	1.2.2	RFM-2472-1-P	1.3.2	RFM-303672-US-19P	1.2.4
RFM-1922-RPKS	4.1.10	RFM-2335-MA-SQ	1.5.1	RFM-243672-US-19-B	1.2.3	RFM-2472-1-P-DD	1.3.3	RFM-303683	1.3.1
RFM-1924-RB	4.1.1	RFM-2338-RB	4.1.1	RFM-243672-US-19P	1.2.4	RFM-2472-2	1.3.2	RFM-303683-U-19-B	1.2.1
RFM-1924-RB-SQ	4.1.1	RFM-2344-RB	4.1.1	RFM-243683	1.3.1	RFM-2472-2-DD	1.3.3	RFM-303683-US-19-B	1.2.3
RFM-1928-DRFS	4.1.9	RFM-2344-RB-TBS	4.1.1	RFM-243683-U-19-B	1.2.2	RFM-2472-3	1.3.2	RFM-303683-US-19P	1.2.4
RFM-1928-RKS	4.1.10	RFM-2348-RB	4.1.1	RFM-243683-US-19-B	1.2.3	RFM-2483-1	1.3.2	RFM-303683-US-19S	1.2.6
RFM-192D-HCM-D	5.1.1	RFM-2359-MA	1.5.1	RFM-243683-US-19P	1.2.4	RFM-2483-1-DD	1.3.3	RFM-303690	1.3.1
RFM-192D-HCM-F	5.1.2	RFM-2359-MA-SQ	1.5.1	RFM-243683-US-19S	1.2.6	RFM-2483-1-P	1.3.2	RFM-303690-U-19-B	1.2.1
RFM-192D-HCM-FD	5.1.2	RFM-2372-MA	1.5.1	RFM-243690	1.3.1	RFM-2483-1-P-DD	1.3.3	RFM-303690-US-19-B	1.2.3
RFM-192D-HCM-FHD	5.1.2	RFM-2372-MA-SQ	1.5.1	RFM-243690-U-19-B	1.2.2	RFM-2483-2	1.3.2	RFM-303690-US-19-P	1.2.4
RFM-192D-HCM-TD	5.1.1	RFM-2383-MA	1.5.1	RFM-243690-US-19-B	1.2.3	RFM-2483-2-DD	1.3.3	RFM-3042-FP	1.8.1
RFM-1935-MA	1.5.1	RFM-2383-MA-SQ	1.5.1	RFM-243690-US-19-P	1.2.4	RFM-2483-3	1.3.2	RFM-304235	1.3.1
RFM-1935-MA-24	1.5.1	RFM-240683-EXT	1.2.8	RFM-2440-CFS-4	1.6.2	RFM-2483-FAN-DD	1.3.4	RFM-304235-U-19-B	1.2.1
RFM-1935-MA-24-SQ	1.5.1	RFM-241583-EXT	1.2.8	RFM-2442-FP	1.8.1	RFM-2490-1-P	1.3.2	RFM-304235-US-19-B	1.2.3

RFM-304235-US-19P	1.2.4	RFM-3083-FAN-DD	1.3.4	RFM-559-VCM	1.5.3	RFM-AACD-CD-8	2.2.1	RFM-FMS-15	4.1.6
RFM-304259	1.3.1	RFM-3090-1-P	1.3.2	RFM-559-VCM-FND	1.5.9	RFM-AACD-P	2.2.1	RFM-FMS-18	4.1.6
RFM-304259-U-19-B	1.2.1	RFM-3090-2	1.3.2	RFM-559-VCT	1.5.5	RFM-AAIC	2.2.1	RFM-FMS-6	4.1.6
RFM-304259-US-19-B	1.2.3	RFM-322-VCM	3.1.1	RFM-572-VCM	1.5.3	RFM-ASBK	2.1.9	RFM-FMS-8	4.1.6
RFM-304259-US-19P	1.2.4	RFM-336-VCM	3.1.1	RFM-572-VCM-FND	1.5.9	RFM-ASBK	2.1.5	RFM-FORT-CMS	1.1.2
RFM-304272	1.3.1	RFM-348-VCM	3.1.1	RFM-572-VCT	1.5.5	RFM-ASBK-BRUSH-5	2.1.9	RFM-FORT-CMS-72	1.1.2
RFM-304272-U-19-B	1.2.1	RFM-35-ZR	1.5.2	RFM-583-VCM	1.5.3	RFM-ASBK-BRUSH-7	2.1.9	RFM-FORTA-CMS	1.1.2
RFM-304272-US-19-B	1.2.3	RFM-35-ZR-24	1.5.2	RFM-583-VCM-FND	1.5.9	RFM-ASBK-BRUSH-9	2.1.9	RFM-FORTA-CMS-72	1.1.2
RFM-304272-US-19P	1.2.4	RFM-3635-4	1.4.1	RFM-583-VCT	1.5.5	RFM-ASCP	2.1.5	RFM-FORTRESS-1	1.1.1
RFM-304283	1.3.1	RFM-3635-4P	1.4.1	RFM-59-ZR	1.5.2	RFM-ASK-2483	2.1.5	RFM-FORTRESS-1-72	1.1.1
RFM-304283-U-19-B	1.2.1	RFM-364283-UN-19	1.2.9	RFM-59-ZR-24	1.5.2	RFM-ASK-3083	2.1.5	RFM-FORTRESS-2	1.1.1
RFM-304283-US-19-B	1.2.3	RFM-364290-UN-19	1.2.9	RFM-62-PBV-20A-24	6.1.1	RFM-ASK-5	2.1.9	RFM-FORTRESS-2-72	1.1.1
RFM-304283-US-19P	1.2.4	RFM-364883-UN-19	1.2.9	RFM-62-PBV-24	6.1.1	RFM-ASK-5	2.1.9	RFM-FPRK	4.1.2
RFM-304283-US-19S	1.2.6	RFM-364890-UN-19	1.2.9	RFM-62-PBVT-20A-24	6.1.1	RFM-ASK-7	2.1.9	RFM-FT900	2.1.4
RFM-304290	1.3.1	RFM-3659-4	1.4.1	RFM-635-VBB	1.5.6	RFM-ASK-9	2.1.9	RFM-FTB-CT-BA	1.7.2
RFM-304290-U-19-B	1.2.1	RFM-3659-4P	1.4.1	RFM-635-VCT	1.5.5	RFM-ASK-FORT72	2.1.6	RFM-FTBE-5/PR	4.1.8
RFM-304290-US-19-B	1.2.3	RFM-3672-4	1.4.1	RFM-636-SCDS	2.1.10	RFM-ASK-FORT83	2.1.6	RFM-FTBE-8/PR	4.1.8
RFM-304290-US-19-P	1.2.4	RFM-3672-4P	1.4.1	RFM-642-SCDS	2.1.10	RFM-BP19-1U	6.2.2	RFM-GB-59	1.5.8
RFM-3048-WM-20	3.1.1	RFM-3683-4	1.4.1	RFM-648-SCDS	2.1.10	RFM-BP19-2U	6.2.2	RFM-GB-72	1.5.8
RFM-3048-WM-6X	3.1.1	RFM-3683-4-SCD	2.1.10	RFM-659-VBB	1.5.6	RFM-BP19-3U	6.2.2	RFM-GB-83	1.5.8
RFM-3048-WM-MA	3.1.1	RFM-3683-4P	1.4.1	RFM-659-VCT	1.5.5	RFM-BP19-4U	6.2.2	RFM-GRD-KIT	6.1.3
RFM-304883	1.3.1	RFM-3683-SCD	2.1.10	RFM-672-VBB	1.5.6	RFM-BP19-5U	6.2.2	RFM-HCT-24	1.7.1
RFM-304883-U-19-B	1.2.1	RFM-3690-4	1.4.1	RFM-672-VCT	1.5.5	RFM-BP19-9U	6.2.2	RFM-HCT-24-10	1.7.1
RFM-304883-US-19-B	1.2.3	RFM-3690-4P	1.4.1	RFM-683-VBB	1.5.6	RFM-BPTL-19-1U	6.2.2	RFM-HCT-30	1.7.1
RFM-304883-US-19P	1.2.4	RFM-4235-4	1.4.1	RFM-683-VCT	1.5.5	RFM-BPTL-19-2U	6.2.2	RFM-HCT-30-10	1.7.1
RFM-304890	1.3.1	RFM-4235-4P	1.4.1	RFM-683-VCT-HD	1.5.7	RFM-BRC100-10	6.1.2	RFM-HCT5E	4.1.7
RFM-304890-U-19-B	1.2.1	RFM-4259-4	1.4.1	RFM-72-ZR	1.5.2	RFM-BRC100-1020	6.1.2	RFM-HCT8E	4.1.7
RFM-304890-US-19-B	1.2.3	RFM-4259-4P	1.4.1	RFM-72-ZR-24	1.5.2	RFM-BRC100-1025	6.1.2	RFM-HCTE-C-10	1.7.1
RFM-304890-US-19-P	1.2.4	RFM-4272-4	1.4.1	RFM-735-VCM-FND	1.5.9	RFM-CMPB-2U-4	3.1.5	RFM-HCTE-C-5	1.7.1
RFM-3059-1	1.3.2	RFM-4272-4P	1.4.1	RFM-759-VCM-FND	1.5.9	RFM-CMPB-4U-12	3.1.5	RFM-HCTFTB-5	4.1.8
RFM-3059-1-DD	1.3.3	RFM-4283-4	1.4.1	RFM-76-PBVT	6.1.1	RFM-CMPB-4U-7	3.1.5	RFM-HCTFTB-8	4.1.8
RFM-3059-1-P	1.3.2	RFM-4283-4-SCD	2.1.10	RFM-772-VCM-FND	1.5.9	RFM-COLO-219	1.2.7	RFM-HCTJ-0	4.1.7
RFM-3059-1-P-DD	1.3.3	RFM-4283-4P	1.4.1	RFM-783-VCM-A	1.5.3	RFM-COLO-319	1.2.7	RFM-HCTJ-10	4.1.7
RFM-3059-2	1.3.2	RFM-4283-SCD	2.1.10	RFM-783-VCM-FND	1.5.9	RFM-COLO-419	1.2.7	RFM-HCTJ-12	4.1.7
RFM-3059-2-DD	1.3.3	RFM-4290-4	1.4.1	RFM-783-VCM-HD	1.5.4	RFM-COLO-FAN	1.2.7	RFM-HCTJ-15	4.1.7
RFM-3059-3	1.3.2	RFM-4290-4P	1.4.1	RFM-783-VCM-HD-36	1.5.10	RFM-COMBOLOCK	1.8.3	RFM-HCTJ-18	4.1.7
RFM-3059-4	1.4.1	RFM-435-VCT	1.5.5	RFM-790-VCM-HD-36	1.5.10	RFM-CS	6.2.1	RFM-HCTJ-5	1.7.1
RFM-3059-4P	1.4.1	RFM-459-VCT	1.5.5	RFM-783-VCM-HD-36	1.5.10	RFM-CS4	6.2.1	RFM-HCTJ-5	4.1.7
RFM-3072-1	1.3.2	RFM-464283-UN-19	1.2.10	RFM-790-VCM-HD-36	1.5.10	RFM-DR-ADJ	1.5.7	RFM-HCTJ-8	4.1.7
RFM-3072-1-DD	1.3.3	RFM-464290-UN-19	1.2.10	RFM-790-VCM-A	1.5.3	RFM-DR-ADJ	6.2.1	RFM-HGB-19	1.5.8
RFM-3072-1-P	1.3.2	RFM-464883-UN-19	1.2.10	RFM-820-CB	6.2.5	RFM-E-LOCK-SH	1.8.3	RFM-HIC-CP-2436	2.1.7
RFM-3072-1-P-DD	1.3.3	RFM-464883-UN-19	1.2.10	RFM-83-PDU-SN	6.2.6	RFM-E-LOCK-PRX	1.8.3	RFM-HIC-CP-2448	2.1.7
RFM-3072-2	1.3.2	RFM-472-VCT	1.5.5	RFM-83-ZR	1.5.2	RFM-ERCD-DS	2.1.7	RFM-HIC-CP-3036	2.1.7
RFM-3072-2-DD	1.3.3	RFM-48-PBV-18	6.1.1	RFM-83-ZR-24	1.5.2	RFM-EXFAN-2-SO	2.1.4	RFM-HIC-CP-3036-F	2.1.7
RFM-3072-3	1.3.2	RFM-483-VCT	1.5.5	RFM-935-VCM-A	1.5.3	RFM-EXFAN-4-SO	2.1.4	RFM-HIC-CP-3048	2.1.7
RFM-3072-4	1.4.1	RFM-4883-4	1.4.1	RFM-959-VCM-A	1.5.3	RFM-EXFAN-DUCT	2.1.3	RFM-HIC-CP-3048-F	2.1.7
RFM-3072-4P	1.4.1	RFM-4883-4-SCD	2.1.10	RFM-972-VCM-A	1.5.3	RFM-EXFAN-DUCT-8	2.1.3	RFM-JK-60	6.1.3
RFM-3083-1	1.3.2	RFM-4883-4P	1.4.1	RFM-983-VCM-A	1.5.3	RFM-FGFM12X7	2.1.8	RFM-LP-2U-BRKT	3.1.2
RFM-3083-1-DD	1.3.3	RFM-4883-SCD	2.1.10	RFM-AAACD-10	2.2.1	RFM-FGFM4X6	2.1.8	RFM-RD-19	4.1.4
RFM-3083-1-P	1.3.2	RFM-4890-4	1.4.1	RFM-AAACD-20	2.2.1	RFM-FGFM9X7	2.1.8	RFM-RD-19-P	4.1.4
RFM-3083-1-P-DD	1.3.3	RFM-4890-4P	1.4.1	RFM-AAACD-30	2.2.1	RFM-FGSPL12x7	2.1.8	RFM-RFC-10	2.2.1
RFM-3083-2	1.3.2	RFM-52-PBV-20A	6.1.1	RFM-AAACD-CD-12	2.2.1	RFM-FGSPL4X6	2.1.8	RFM-RFC-20	2.2.1
RFM-3083-2-DD	1.3.3	RFM-52-PBVT	6.1.1	RFM-AAACD-CD-13X	2.2.1	RFM-FGSPL9X7	2.1.8	RFM-RFC-30	2.2.1
RFM-3083-3	1.3.2	RFM-535-VCM	1.5.3	RFM-AAACD-CD-24	2.2.1	RFM-FKBA-19	4.1.10	RFM-RHD-KIT	4.1.3
RFM-3083-4	1.4.1	RFM-535-VCM-FND	1.5.9	RFM-AAACD-CD-48	2.2.1	RFM-FMS-10	4.1.6	RFM-RVCM-B	4.1.5
RFM-3083-4P	1.4.1	RFM-535-VCT	1.5.5	RFM-AAACD-CD-7X	2.2.1	RFM-FMS-12	4.1.6	RFM-RVCM-B-10	4.1.5



### **SECTION ONE: CABINETS & ACCESSORIES**

RFM SERIES FORTRESS CABINET	1.1.1
FORTRESS CABLE MANAGER: Sloped & Straight	1.1.2
PRE CONFIGURED (KITTED) RFM SERIES 30 & 24 CABINETS	1.2.1 ~ 1.2.6
RFM SERIES CO-LOCATION CABINET	1.2.7
CABINET EXTENDERS: 6"Depth & 15"Depth	1.2.8
HIGH DENSITY NETWORKING CABINETS 36"W & 46"W	1.2.9 ~ 1.2.10
RFM SERIES 30 & 24 CABINET FRAMES	1.3.1
CABINET DOORS: Acrylic, Perforated, Solid, Split	1.3.2 ~ 1.3.4
CABINET SIDE PANELS: Solid & Perforated	1.4.1
EIA MOUNTING ANGLES & Z-RAILS	1.5.1 ~ 1.5.2
VERTICAL CABLE MANAGERS, TROUGHS, AND LADDERS	1.5.3 ~ 1.5.10
GROUNDING BARS: Vertical & Horizontal	1.5.8
CABINET SHELVES	1.6.1 ~ 1.6.2
CABLE TROUGHS: Overhead & Front To Back Mount	1.7.1 ~ 1.7.2
WIRING STACKS: For Cabinets	1.7.3
FLOOR PLATES: Solid & Vented	1.8.1
TOP OF CABINET CABLE ENTRY BRUSH KIT	1.8.2
ELECTRONIC LOCKS & COMBO LOCKS	1.8.3

### **SECTION TWO: CABINET COOLING SOLUTIONS**

4" EXHAUST FAN & 10" EXHAUST FAN	2.1.1
THERMAL MANAGEMENT: Ducted Solutions	2.1.2
EXHAUST DUCT: Transitional & Height Adjustable	2.1.3
EXHAUST FANS: High Volume & Cold Air Distribution	2.1.4
AIR STOP KITS: for RFM Series 30 & 24 Cabinets	2.1.5
AIR STOP KITS : for RFM Series Fortress	2.1.6
AISLE CONTAINMENT, CEILING PANELS & END OF ROW DOORS	2.1.7
FLOOR GROMMETS	2.1.8
AIR STOP KITS: FOR RFM Series 30 Cabinets (w/ VCM installed in front)	2.1.9
SIDE CAR DUCT	2.1.10
AGILEAIR INTELLIGENT COOLING	2.2.1

### **SECTION THREE: WALLMOUNT CABINETS & RACKS**

30" WIDE WALL MOUNT CABINETS & WMC VERTICAL CMS	3.1.1
LOW PROFILE WALL MOUNT CABINETS	3.1.2
WALL MOUNT SWING OUT RACK: 44U + 18U Height	3.1.3
WALL MOUNT FIXED RACK: 18U Height	3.1.4
WALL MOUNT BRACKETS & CEILING MOUNT BRACKETS	3.1.5

### **SECTION FOUR: FLOOR MOUNT RACKS & ACCESSORIES**

TWO POST RACK: Tapped, Cage nut, Tapped Both sides	4.1.1
FOUR POST RACK KIT	4.1.2
HEAVY DUTY RACK KIT	4.1.3
RACK DOOR	4.1.4
RACK CABLE MANAGERS	4.1.5
HIGH DENSITY CABLE MGR. FINGERED 1U & 2U SPACING	4.1.6
OVERHEAD HORIZ CABLE TROUGH FOR RACKS	4.1.7
HORIZ CABLE TROUGH: Front To Back	4.1.8
RACK SHELF: 2 Point Rack Mounting (Front mount, Centre mount, Retractable, Keyboard)	4.1.9 ~ 4.1.10

### **SECTION FIVE: HORIZONTAL CABLE MANAGEMENT**

HORIZONTAL CABLE MANAGER	5.1.1
HORIZ. CABLE MGR Finger style + High density, Fingered, Adjustable	5.1.2

### **SECTION SIX: OPTIONAL ACCESSORIES**

POWER BARS: Vertical, Horizontal, & Current Monitoring	6.1.1 ~ 6.1.2
GROUNDING KIT & JUMPER KIT	6.1.3
CABLE SPOOL & D-RING	6.2.1
BLANKING PLATES: Steel & Tool-Less Composite	6.2.2
REDUCER PLATES	6.2.3
SERVER SUPPORT BRACKETS	6.2.4
CONSOLIDATION BOX	6.2.5
PDU BRACKET	6.2.6
AIR FILTERS: 4" FAN & LOUVERED DOORS	6.2.7

## RFM SERIES FORTRESS SERVER CABINET



R. F. Mote Fortress Series Server Cabinets are available in 36" and 42" depths. Standard kitted Fortress server cabinets include: 2 Perforated doors, 2 side panels, 2 pair cage-nut style mounting rails, levelling feet, cover plates, and hardware package.

Each cabinet may be configured with a wide variety of options such as: power bars, ground bars, fan assemblies, chimney ducts, air stops, brush kits, cable troughs, vertical and horizontal cable managers, shelves, door locks, and perforated side panels. Optional accessories can be factory installed in configurations best suited to their end use, or ordered separately and installed by the customer.

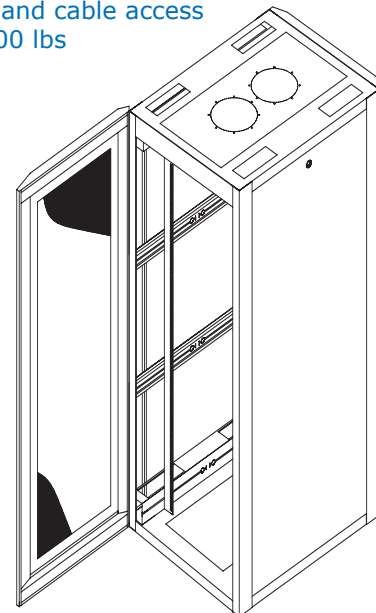
### Standard Features:

- Lockable perforated Front and Rear doors
- Doors: Electronic and Combination lock options available
- 2 Solid, lockable, lift off side panels
- 4 x 19" EIA adjustable mounting rails, cage-nut style
- Hardware package (#10-32 cage nuts and screws, pkg 24)
- Removable top panels
- 4 Grounding points
  - 2 in top (#10-32 x 1/2" stud)
  - 2 in base (1/4-20 x 3/4" stud)
- Adjustable levelling feet
- Durable textured powder coated finish
- Standard colour is all black
- Custom colours and sizes available upon request

### Highlights:

- Heavy gauge steel
- All welded construction
- Provisions for fans and cable access
- Raceway style cross members allow mounting angles to be moved independently from cable managers. Mounting angles and CMS can both be positioned at the front of unit
- Cabinet doors are field reversible
- Top panels can be used in cabinet base
- Provisions for fans and cable access
- Load capacity : 2500 lbs

PART NUMBER	WIDTH	FRAME DEPTH	OVERALL DEPTH (W/DOORS)	HEIGHT	# of U's
RFM-FORTRESS-2	30.00	42.00	47.00	83.00	45U
RFM-FORTRESS-1	30.00	36.00	41.00	83.00	45U
RFM-FORTRESS-2-72	30.00	42.00	47.00	72.00	38U
RFM-FORTRESS-1-72	30.00	36.00	41.00	72.00	38U

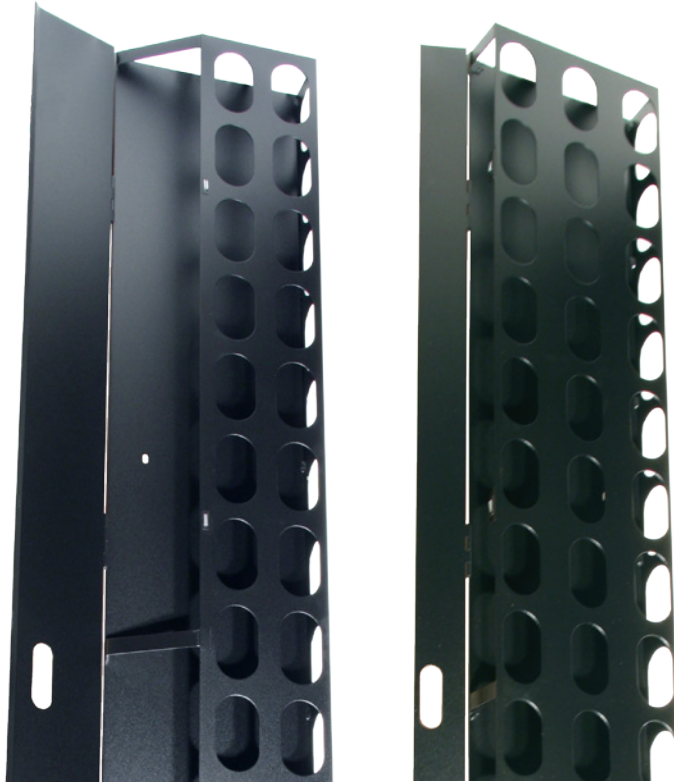


Note<sup>1</sup>: **Ganging version available.** Shipped less the side panels and c/w ganging kit - add suffix '-G' to part number  
E.G. RFM-FORTRESS-2-G

Note<sup>2</sup>: For tapped mounting angles, add suffix '-T' to part number  
E.G. RFM-FORTRESS-2-T

## FORTRESS CABLE MANAGER:

- SLOPED FRONT/DOOR
- STRAIGHT FRONT/DOOR



### Standard Features:

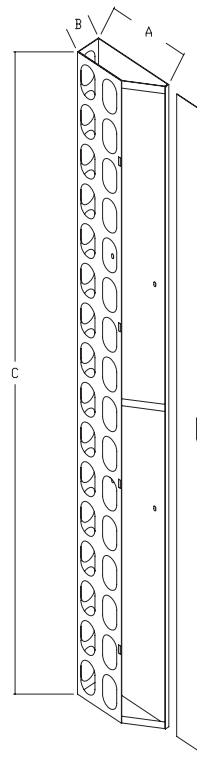
- Heavy gauge steel
- All welded construction
- Cable Manager mounts in-between raceway style cross members
- Mounting angles bolt to raceway style cross members - this allows the CMS and the mounting angle to be moved independently
- Installation allows for both the CMS and mounting angle to be located flush with the front or rear of the cabinet frame
- Durable textured powder coated finish
- Standard colour is black

### Sloped front/door CMS

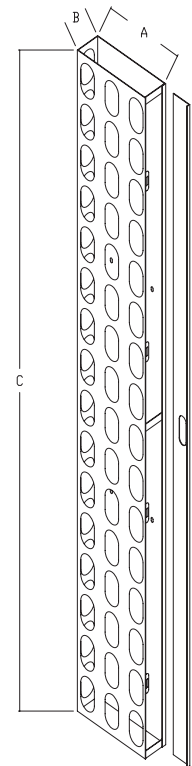
PART NUMBER	A	B	C
RFM-FORTA-CMS	10.00	3.00	68.50
RFM-FORTA-CMS-72	10.00	3.00	57.50

### Squared front/door CMS

PART NUMBER	A	B	C
RFM-FORT-CMS	10.00	3.00	68.50
RFM-FORT-CMS-72	10.00	3.00	57.50



RFM-FORTA-CMS



RFM-FORT-CMS

## RFM SERIES KITTED 30 UNIVERSAL CABINET



R. F. Mote Series 30 Universal Kitted Cabinets (30" Wide) standard configuration includes: 1 smoked acrylic door, 1 louvered door, 2 side panels, 1 pair mounting rails (tapped #10-32), levelling feet, cover plates, and hardware package.

Each cabinet may be configured with a wide variety of options e.g.: thermal management (fans, chimney ducts, air stops, brushes), power bars, ground bars, cable troughs, vertical and horizontal cable mangers, shelves, perforated side panels, and electronic door locks. Optional accessories can be factory installed in configurations best suited to their end use, or ordered separately and installed by the customer.

### Standard Features:

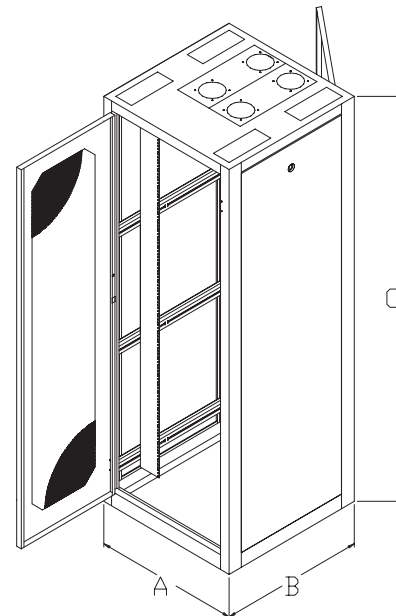
- Lockable smoked acrylic front door
- Lockable louvered rear door
- Doors: Electronic and Combination lock options available
- 2 Solid, lockable, lift off side panels
- 1 Pair Mounting angles, 19" EIA universal spacing, tapped #10-32
- 4 Grounding points
  - 2 in top (#10-32 x 1/2" stud)
  - 2 in base (1/4-20 x 1/2" stud)
- Top c/w cable access openings (cover plates provided)
- Hardware package (qty 24, #10-32 screws)
- Adjustable levelling feet
- Durable textured powder coated finish
- Standard colour is all black
- Custom colours and sizes available upon request

### Highlights:

- Heavy gauge steel
- All welded construction
- Provisions for fans and cable access
- Cabinet doors are field reversible; hinge kit required
- Load capacity : up to 2500 lbs

30" Wide Cabinet

	PART NUMBER	A	B	C	#of U's
19" EIA MOUNT	RFM-304890-U-19-B	30.150	48.150	90.00	48U
	RFM-304883-U-19-B	30.150	48.150	83.00	44U
	RFM-304290-U-19-B	30.150	42.150	90.00	48U
	RFM-304283-U-19-B	30.150	42.150	83.00	44U
	RFM-304272-U-19-B	30.150	42.150	72.00	38U
	RFM-304259-U-19-B	30.150	42.150	59.00	30U
	RFM-304235-U-19-B	30.150	42.150	35.00	17U
	RFM-303690-U-19-B	30.150	36.150	90.00	48U
	RFM-303683-U-19-B	30.150	36.150	83.00	44U
	RFM-303672-U-19-B	30.150	36.150	72.00	38U
	RFM-303659-U-19-B	30.150	36.150	59.00	30U
	RFM-303635-U-19-B	30.150	36.150	35.00	17U
	RFM-303083-U-19-B	30.150	30.150	83.00	44U
	RFM-303072-U-19-B	30.150	30.150	72.00	38U
	RFM-303059-U-19-B	30.150	30.150	59.00	30U
	RFM-303035-U-19-B	30.150	30.150	35.00	17U
	RFM-302483-U-19-B	30.150	24.150	83.00	44U
	RFM-302472-U-19-B	30.150	24.150	72.00	38U
	RFM-302459-U-19-B	30.150	24.150	59.00	30U
	RFM-302435-U-19-B	30.150	24.150	35.00	17U



Note<sup>1</sup>: 23" and 24" EIA Mount also avail for 30"wide cabinet

Note<sup>2</sup>: **Ganging version is avail.** Shipped less the side panels and c/w ganging kit - add suffix '-G' to part number. e.g. RFM-303083-U-19-B-G



## RFM SERIES KITTED 24 UNIVERSAL CABINET



24" Wide Cabinet

R. F. Mote Series 24 Universal Kitted Cabinets (24" Wide) standard configuration includes: 1 smoked acrylic door, 1 louvered door, 2 side panels, 1 pair mounting rails (tapped #10-32), levelling feet, cover plates, and hardware package.

Each cabinet may be configured with a wide variety of options e.g: thermal management (fan assemblies, chimney ducts, air stops, brush kits), power bars, ground bars, cable troughs, vertical and horizontal cable mangers, shelves, perforated side panels, and electronic door locks. Optional accessories can be factory installed in configurations best suited to their end use, or ordered separately and installed by the customer.

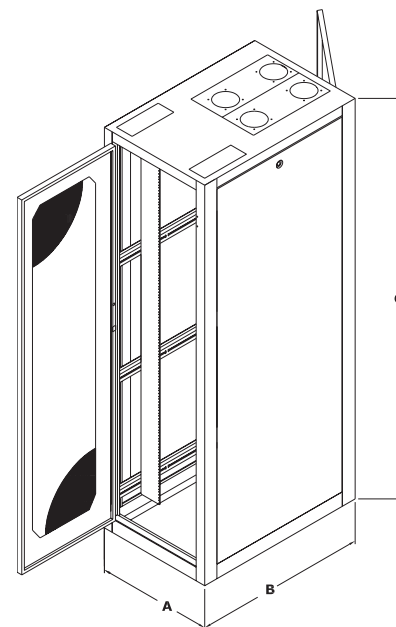
### Standard Features:

- Lockable smoked acrylic front door
- Lockable louvered rear door
- Doors: Electronic and Combination lock options available
- 2 Solid, lockable, lift off side panels
- 1 Pair Mounting angles, 19" EIA universal spacing, tapped #10-32
- 4 Grounding points
  - 2 in top (#10-32 x 1/2" stud)
  - 2 in base (1/4-20 x 1/2" stud)
- Top c/w cable access openings (cover plates provided)
- Hardware package (qty 24, #10-32 screws)
- Adjustable levelling feet
- Durable textured powder coated finish
- Standard colour is all black
- Custom colours and sizes available upon request

### Highlights:

- Heavy gauge steel
- All welded construction
- Provisions for fans and cable access
- Cabinet doors are field reversible; hinge kit required
- Load capacity : up to 2500 lbs

	PART NUMBER	A	B	C	#of U's
19" EIA MOUNT	RFM-244890-U-19-B	24.00	48.150	90.00	48U
	RFM-244883-U-19-B	24.00	48.150	83.00	44U
	RFM-244290-U-19-B	24.00	42.150	90.00	48U
	RFM-244283-U-19-B	24.00	42.150	83.00	44U
	RFM-244272-U-19-B	24.00	42.150	72.00	38U
	RFM-244259-U-19-B	24.00	42.150	59.00	30U
	RFM-244235-U-19-B	24.00	42.150	35.00	17U
	RFM-243690-U-19-B	24.00	36.150	90.00	48U
	RFM-243683-U-19-B	24.00	36.150	83.00	44U
	RFM-243672-U-19-B	24.00	36.150	72.00	38U
	RFM-243659-U-19-B	24.00	36.150	59.00	30U
	RFM-243635-U-19-B	24.00	36.150	35.00	17U
	RFM-243083-U-19-B	24.00	30.150	83.00	44U
	RFM-243072-U-19-B	24.00	30.150	72.00	38U
	RFM-243059-U-19-B	24.00	30.150	59.00	30U
	RFM-243035-U-19-B	24.00	30.150	35.00	17U
	RFM-242483-U-19-B	24.00	24.150	83.00	44U
	RFM-242472-U-19-B	24.00	24.150	72.00	38U
	RFM-242459-U-19-B	24.00	24.150	59.00	30U
	RFM-242435-U-19-B	24.00	24.150	35.00	17U



Note<sup>1</sup>: **Ganging version is available.** Shipped less the side panels and c/w ganging kit - add suffix '-G' to part number. e.g. RFM-243083-U-19-B-G

## RFM SERIES KITTED SERVER CABINET



R. F. Mote Series Server Kitted Cabinets available 30" and 24" Wide. Standard kitted Server cabinets include: 2 Perforated doors, 2 side panels, 2 pair cage-nut style mounting rails, levelling feet, cover plates, and hardware package.

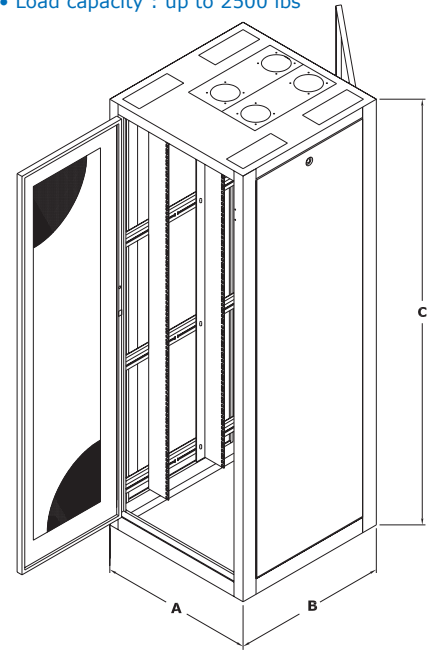
Each cabinet may be configured with a wide variety of options such as: power bars, ground bars, fan assemblies, chimney ducts, air stops, brush kits, cable troughs, vertical and horizontal cable mangers, shelves, electronic door locks, and perforated side panels. Optional accessories can be factory installed in configurations best suited to their end use, or ordered separately and installed by the customer.

### Standard Features:

- Lockable perforated Front and Rear doors
- Doors: Electronic and Combination lock options available
- 2 Solid, lockable, lift off side panels
- 2 Pair Mounting angles, punched to 19" EIA universal spacing for cage nuts
- 4 Grounding points
  - 2 in top (#10-32 x 1/2" stud)
  - 2 in base (1/4-20 x 1/2" stud)
- Top c/w cable access openings (cover plates provided)
- Hardware package (qty 24, 1/4-20 Cage nuts and screws)
- Adjustable levelling feet
- Durable textured powder coated finish
- Standard colour is all black
- Custom colours and sizes available upon request

### Highlights:

- Heavy gauge steel
- All welded construction
- Provisions for fans and cable access
- Cabinet doors are field reversible; hinge kit req'd
- Load capacity : up to 2500 lbs



**Ganging version available.** Shipped less the side panels and c/w ganging kit - add suffix '-G' to part number. e.g. RFM-304283-US-19-B-G

### 30" Wide Cabinet — 19" EIA Mount

PART NUMBER	A	B	C	#of U's
RFM-304890-US-19-B	30.150	48.150	90.00	48U
RFM-304883-US-19-B	30.150	48.150	83.00	44U
RFM-304290-US-19-B	30.150	42.150	90.00	48U
RFM-304283-US-19-B	30.150	42.150	83.00	44U
RFM-304272-US-19-B	30.150	42.150	72.00	38U
RFM-304259-US-19-B	30.150	42.150	59.00	30U
RFM-304235-US-19-B	30.150	42.150	35.00	17U
RFM-303690-US-19-B	30.150	36.150	90.00	48U
RFM-303683-US-19-B	30.150	36.150	83.00	44U
RFM-303672-US-19-B	30.150	36.150	72.00	38U
RFM-303659-US-19-B	30.150	36.150	59.00	30U
RFM-303635-US-19-B	30.150	36.150	35.00	17U
RFM-303090-US-19-B	30.150	30.150	90.00	48U
RFM-303083-US-19-B	30.150	30.150	83.00	44U
RFM-303072-US-19-B	30.150	30.150	72.00	38U
RFM-303059-US-19-B	30.150	30.150	59.00	30U
RFM-303035-US-19-B	30.150	30.150	35.00	17U

### 24" Wide Cabinet — 19" EIA Mount

PART NUMBER	A	B	C	#of U's
RFM-244890-US-19-B	24.00	48.150	90.00	48U
RFM-244883-US-19-B	24.00	48.150	83.00	44U
RFM-244290-US-19-B	24.00	42.150	90.00	48U
RFM-244283-US-19-B	24.00	42.150	83.00	44U
RFM-244272-US-19-B	24.00	42.150	72.00	38U
RFM-244259-US-19-B	24.00	42.150	59.00	30U
RFM-244235-US-19-B	24.00	42.150	35.00	17U
RFM-243690-US-19-B	24.00	36.150	90.00	48U
RFM-243683-US-19-B	24.00	36.150	83.00	44U
RFM-243672-US-19-B	24.00	36.150	72.00	38U
RFM-243659-US-19-B	24.00	36.150	59.00	30U
RFM-243635-US-19-B	24.00	36.150	35.00	17U
RFM-243090-US-19-B	24.00	30.150	90.00	48U
RFM-243083-US-19-B	24.00	30.150	83.00	44U
RFM-243072-US-19-B	24.00	30.150	72.00	38U
RFM-243059-US-19-B	24.00	30.150	59.00	30U
RFM-243035-US-19-B	24.00	30.150	35.00	17U

Note: 23" and 24" EIA mount also available for 30" wide cabinet

## RFM SERIES KITTED SERVER CABINET - PERFORATED SIDES



R. F. Mote Series Server Kitted Cabinets available 30" and 24" Wide. Standard kitted Server cabinets include: 2 Perforated doors, 2 perforated side panels, 2 pair cage-nut style mounting rails, levelling feet, cover plates, and hardware package.

Each cabinet may be configured with a wide variety of options e.g.: power bars, ground bars, fan assemblies, chimney ducts, air stops, brush kits, cable troughs, vertical and horizontal cable mangers, shelves, and electronic door locks. Optional accessories can be factory installed in configurations best suited to their end use, or ordered separately and installed by the customer.

Standard Features:

- Lockable perforated Front and Rear doors
- Doors: Electronic and Combination lock options available
- 2 Lockable lift off side panels - perforated
- 2 Pair Mounting angles, punched to 19" EIA universal spacing for cage nuts
- 4 Grounding points
  - 2 in top (#10-32 x 1/2" stud)
  - 2 in base (1/4-20 x 1/2" stud)
- Top c/w cable access openings (cover plates provided)
- Hardware package (qty 24, 1/4-20 Cage nuts and screws)
- Adjustable levelling feet
- Durable textured powder coated finish
- Standard colour is all black
- Custom colours and sizes available upon request

30" Wide Cabinet

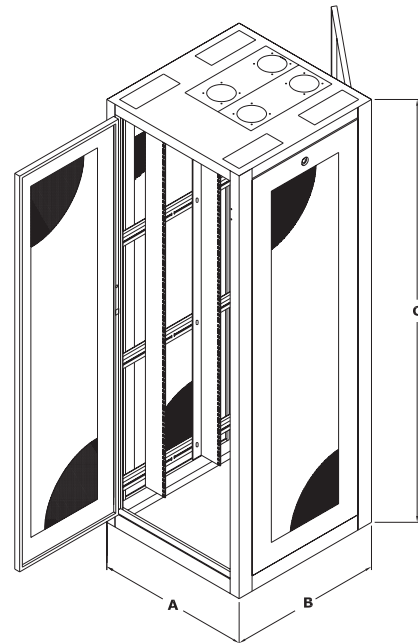
	PART NUMBER	A	B	C	# of U's
19" MOUNT	RFM-304890-US-19-P	30.150	48.150	90.00	48U
	RFM-304883-US-19-P	30.150	48.150	83.00	44U
	RFM-304290-US-19-P	30.150	42.150	90.00	48U
	RFM-304283-US-19-P	30.150	42.150	83.00	44U
	RFM-304272-US-19-P	30.150	42.150	72.00	38U
	RFM-304259-US-19-P	30.150	42.150	59.00	30U
	RFM-304235-US-19-P	30.150	42.150	35.00	17U
	RFM-303690-US-19-P	30.150	36.150	90.00	48U
	RFM-303683-US-19-P	30.150	36.150	83.00	44U
	RFM-303672-US-19-P	30.150	36.150	72.00	38U
	RFM-303659-US-19-P	30.150	36.150	59.00	30U
	RFM-303635-US-19-P	30.150	36.150	35.00	17U

Highlights:

- Heavy gauge steel
- All welded construction
- Provisions for fans and cable access
- Cabinet doors are field reversible; hinge kit req'd
- Load capacity : up to 2500 lbs

24" Wide Cabinet

	PART NUMBER	A	B	C	# of U's
19" MOUNT	RFM-244890-US-19-P	24.00	48.150	90.00	48U
	RFM-244883-US-19-P	24.00	48.150	83.00	44U
	RFM-244290-US-19-P	24.00	42.150	90.00	48U
	RFM-244883-US-19-P	24.00	48.150	83.00	44U
	RFM-244272-US-19-P	24.00	42.150	72.00	38U
	RFM-244259-US-19-P	24.00	42.150	59.00	30U
	RFM-244235-US-19-P	24.00	42.150	35.00	17U
	RFM-243690-US-19-P	24.00	36.150	90.00	48U
	RFM-243683-US-19-P	24.00	36.150	83.00	44U
	RFM-243672-US-19-P	24.00	36.150	72.00	38U
	RFM-243659-US-19-P	24.00	36.150	59.00	30U
	RFM-243635-US-19-P	24.00	36.150	35.00	17U



Note: 23" and 24" EIA mount also available for 30" wide cabinet

Note<sup>2</sup>: **Ganging version is avail.** Shipped less the side panels and c/w ganging kit - add suffix '-G' to part number. e.g. RFM-303683-US-19P-G

## RFM SERIES KITTED SEISMIC ZONE 4 SERVER CABINET



R. F. Mote Series Seismic Zone 4 Kitted Cabinets (30" and 24" Wide) are independently certified to meet UBC code seismic strength requirements for Zone 4 as per Bellcore GR-63-CORE specifications. Standard kitted Seismic cabinets include: 2 Perforated doors, 2 solid side panels, 2 pair cage-nut style mounting rails, levelling feet, cover plates, and hardware package.

In addition to standard configuration, Seismic zone 4 Cabinets support a wide variety of options such as: thermal management (fan assemblies, chimney ducts, air stops, brush kits), power bars, ground bars, cable troughs, vertical and horizontal cable mangers, shelves, perforated side panels, and door lock options. Optional accessories can be factory installed in configurations best suited to their end use, or ordered separately and installed by the customer.

### Standard Features:

- Lockable perforated Front and Rear door (c/w multi-point latch system)
- Doors: Electronic and Combination lock options available
- 2 Solid, lockable, lift off side panels
- 2 Pair Mounting angles, punched to 19" EIA universal spacing for cage nuts
- 4 Grounding points
  - 2 in top (#10-32 x 1/2" stud)
  - 2 in base (1/4-20 x 1/2" stud)
- Top c/w cable access openings (cover plates provided)
- Hardware package (qty 24, 1/4-20 Cage nuts and screws)
- Adjustable levelling feet
- Durable textured powder coated finish
- Standard colour is all black
- Custom colours and sizes available upon request

### Highlights:

- Heavy gauge steel
- All welded construction
- Provisions for fans and cable access
- Cabinet doors are field reversible; hinge kit required
- Seismic rated frame, Zone 4 Telcordia (Bellcore) GR-63-CORE

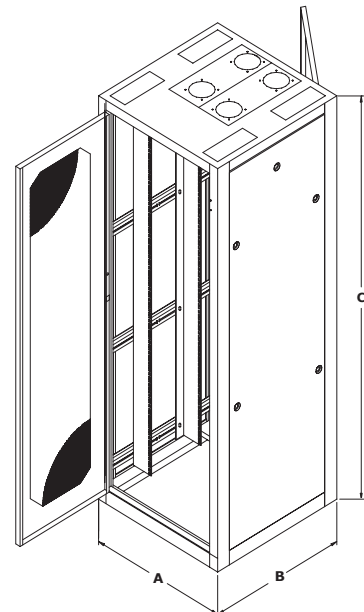
### 30" Wide Cabinet

	PART NUMBER	A	B	C	#of U's
19" MOUNT	RFM-304283-US-19S	30.150	42.150	83.00	44U
	RFM-303683-US-19S	30.150	36.150	83.00	44U
	RFM-303083-US-19S	30.150	30.150	83.00	44U

Note: 23" and 24" EIA mount also available for 30" wide cabinet

### 24" Wide Cabinet

	PART NUMBER	A	B	C	#of U's
19" MOUNT	RFM-244283-US-19S	24.00	42.150	83.00	44U
	RFM-243683-US-19S	24.00	36.150	83.00	44U
	RFM-243083-US-19S	24.00	36.150	83.00	44U



## RFM SERIES CO-LOCATION CABINET



RFM-COLO-219

R. F. Mote Co-Location Cabinets, available in 2, 3, or 4 Compartment Configurations, allow for Multiple Tenants to occupy the same cabinet, while maintaining a degree of security. Each compartment comes standard with secure cable management, as well as 4 adjustable 19" EIA mounting angles

### Standard Features:

- Lockable, Perforated Front and Rear doors
- All doors c/w swing handle combination lock (with key override)
- 2 Solid, lockable, lift off side panels
- 4 x 19" EIA adjustable mounting rails are provided for each compartment
- Hardware package provided for each compartment (1/4-20 Cage nuts and screws, pkg 12)
- Secure vertical cable management for each compartment
- Top c/w perforated cover
- 4 Grounding points
  - 2 in top (#10-32 x 1/2" stud)
  - 2 in base (1/4-20 x 1/2" stud)
- Top c/w cable access openings (cover plates provided)
- Adjustable levelling feet
- Durable textured powder coated finish
- Standard colour is all black
- Custom colours and sizes available upon request

### Highlights:

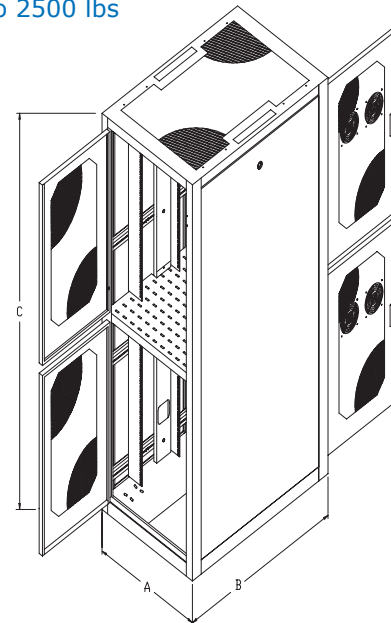
- Heavy gauge steel
- All welded construction
- Compartment divider is load bearing
- Doors lift off for ease of equipment and cable installation
- RFM-COLO-219 features field reversible cabinet doors; Hinge kit required
- Optional cooling fan kits available
- Electronic locking option
- Open base
- Load capacity : up to 2500 lbs

### Co-Location Cabinet

	PART NUMBER	A	B	C	# of U's
2 COMPARTMENT	RFM-COLO-219	24.00	36.150	83.00	21U EA
3 COMPARTMENT	RFM-COLO-319	24.00	36.150	83.00	13U EA
4 COMPARTMENT	RFM-COLO-419	24.00	36.150	83.00	10U EA

### Optional cooling fans

FITS WITH OUR...	PART NUMBER
ALL CO-LOCATION CABINETS	RFM-COLO-FAN

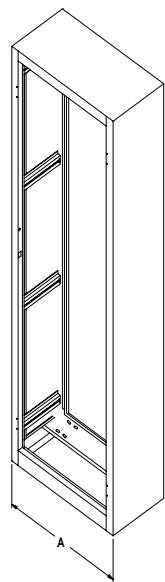


## CABINET EXTENSION: 6" AND 15" DEPTH

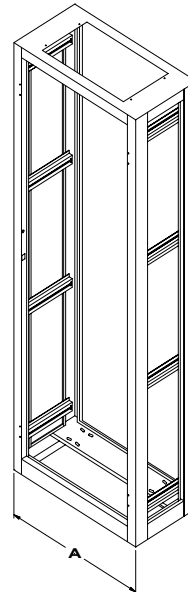
R. F. Mote Cabinet extenders provide a solution where an existing installed cabinet is not deep enough for new equipment. Available in 6" or 15" depth. Adds an additional 6" depth (6" Extender) or 15" depth (15" Extender) to existing cabinet depth. Optional, lockable, lift-off, side panels available for 15" Extender. Non-removable solid sides standard for 6" Extender.

### Features:

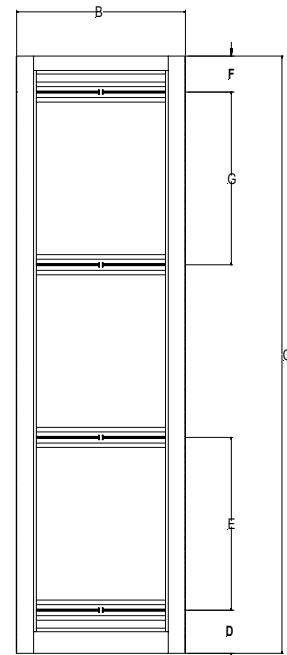
- Heavy gauge steel
- All welded construction
- Easily bolts onto any R.F. Mote 30"W x 83"H Cabinet or 24"W x 83"H Cabinet
- Conveniently add 6" or 15" in depth
- Allows customer to increase existing cabinet depth without removing equipment
- Eliminates the need for a new cabinet
- Optional, solid, lockable, lift off side panels available for 15" extension
- non-removable sides standard on 6" extension
- Adjustable levelling feet
- Durable textured powder coated finish
- Standard colour is all black
- Custom sizes available upon request



RFM-300683-EXT



RFM-301583-EXT



Typical side-view

### Cabinet Extender (for 30" Wide RFM Series Cabinets)

PART NUMBER	A	B	C	D	E	F	G
RFM-301583-EXT	30.150	15.150	83.00	6.00	24.00	5.00	24.00
RFM-300683-EXT	30.150	6.150	83.00	6.00	24.00	5.00	24.00

### Cabinet Extender (for 24" Wide RFM Series Cabinets)

PART NUMBER	A	B	C	D	E	F	G
RFM-241583-EXT	24.00	15.150	83.00	6.00	24.00	5.00	24.00
RFM-240683-EXT	24.00	6.150	83.00	6.00	24.00	5.00	24.00

### Optional side panel

FITS WITH OUR...	PART NUMBER
RFM-301583-EXT	RFM-301583-EXT-SIDE
RFM-241583-EXT	RFM-241583-EXT-SIDE

## RFM SERIES HIGH DENSITY NETWORKING CABINET: 36"W



R. F. Mote Series High Density Networking Cabinets include: 2 perforated doors, 2 side panels, 2 pair cage-nut style mounting rails, levelling feet, top cover plates, and hardware package. An extra wide footprint provides added space for managing large volume of cabling required in high density environments.

Each cabinet may be configured with a wide variety of options such as: power bars, ground bars, fan assemblies, chimney ducts, air stops, brush kits, cable troughs, high density vertical and horizontal cable mangers, shelves, electronic door locks, and perforated side panels. Optional accessories can be factory installed in configurations best suited to their end use, or ordered separately and installed by the customer.

### Standard Features:

- Lockable perforated front and rear doors
- Doors: Electronic and Combination lock options available
- 2 Solid, lockable, lift off side panels
- 2 Pair mounting rails, standard 19" EIA universal spacing for cage nuts
- 4 Grounding points
  - 2 in top (#10-32 x 1/2" stud)
  - 2 in base (1/4-20 x 1/2" stud)
- Top c/w cable access openings (cover plates provided)
- Hardware package (24 pcs. x 1/4-20 Cage nuts and screws)
- Adjustable levelling feet
- Durable textured powder coated finish
- Standard colour is all black
- Custom colours and sizes available upon request

### Highlights:

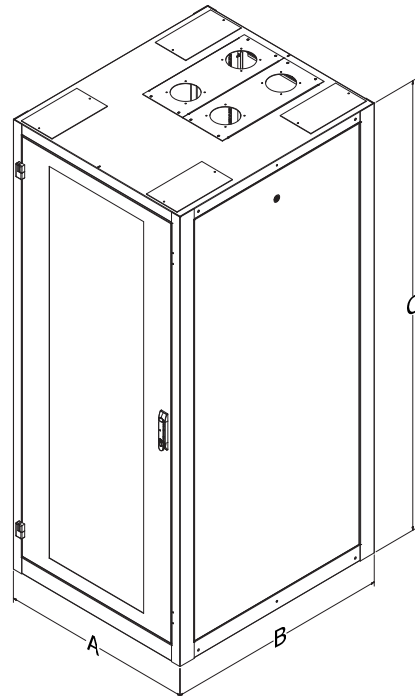
- Heavy gauge steel
- All welded construction
- Provisions for fans and cable access
- Cabinet doors are field reversible; hinge kit req'd

### 36" Wide Cabinet

	PART NUMBER	A	B	C	#of U's
19" MOUNT	RFM-364283-UN-19	36.150	42.150	83.00	44U
	RFM-364290-UN-19	36.150	42.150	90.00	48U
	RFM-364883-UN-19	36.150	48.150	83.00	44U
	RFM-364890-UN-19	36.150	48.150	90.00	48U

Note: **Ganging version is available.** Shipped less the side panels and c/w ganging kit - add suffix '-G' to part number. e.g. RFM-364890-UN-19

Note?: See catalogue page 1.5.10 for cable management for high density networking cabinets



## RFM SERIES HIGH DENSITY NETWORKING CABINET: 46"W



R. F. Mote Series High Density Networking Cabinets include: Split perforated doors (front and back), 2 side panels, 2 pair cage-nut style mounting rails, levelling feet, top cover plates, and hardware package. An Extra wide footprint provides added space for managing large volume of cabling required in high density environments

Each cabinet may be configured with a wide variety of options such as: power bars, ground bars, fan assemblies, chimney ducts, air stops, brush kits, cable troughs, high density vertical and horizontal cable managers, shelves, electronic door locks, and perforated side panels. Optional accessories can be factory installed in configurations best suited to their end use, or ordered separately and installed by the customer.

### Standard Features:

- 3-point lockable perforated split front and rear doors
- Doors: Electronic and Combination lock options available
- 2 Solid, lockable, lift off side panels
- 2 Pair mounting rails, standard 19" EIA universal spacing for cage nuts
- 4 Grounding points
  - 2 in top (#10-32 x 1/2" stud)
  - 2 in base (1/4-20 x 1/2" stud)
- Top c/w cable access openings (cover plates provided)
- Hardware pkg. (24 pcs. x 1/4-20 Cage nuts and screws)
- Adjustable levelling feet
- Durable textured powder coated finish
- Standard colour is all black
- Custom colours and sizes available upon request

### Highlights:

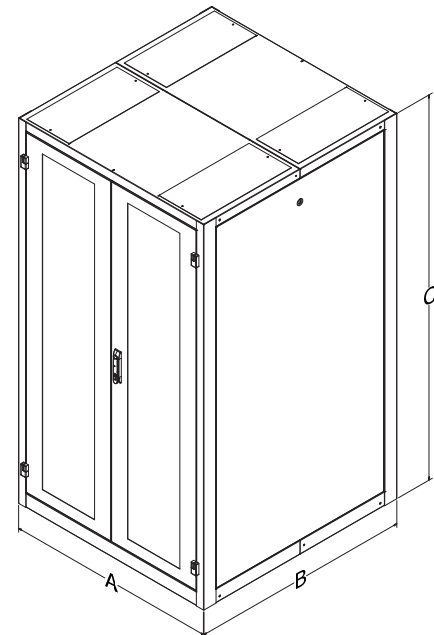
- Heavy gauge steel
- All welded construction
- Provisions for fans and cable access
- Cable managers and mounting rails are independently movable /adjustable

### 46" Wide Cabinet

	PART NUMBER	A	B	C	#of U's
19" MOUNT	RFM-464283-UN-19	46.150	42.150	83.00	44U
	RFM-464290-UN-19	46.150	42.150	90.00	48U
	RFM-464883-UN-19	46.150	48.150	83.00	44U
	RFM-464890-UN-19	46.150	48.150	90.00	48U

Note: **Ganging version is available.** Shipped less the side panels and c/w ganging kit - add suffix '-G' to part number. e.g. RFM-364890-UN-19

Note<sup>2</sup>: See catalogue page 1.5.10 for cable management for high density networking cabinets





## RFM SERIES 30 & RFM SERIES 24 CABINET FRAMES

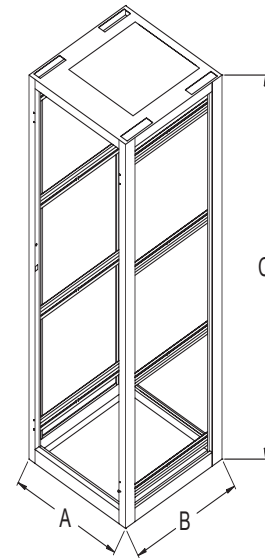


### Standard Features:

- Top c/w cable access openings (cover plates provided)
- 4 Grounding points
  - 2 in top (#10-32 x 1/2" stud)
  - 2 in base (1/4-20 x 1/2" stud)
- Adjustable levelling feet
- Durable textured powder coated finish
- Standard colour is all black
- Custom colours and sizes available upon request

### Highlights:

- Heavy gauge steel
- All welded construction
- Provisions for fans and cable access
- Easily bolts to floor
- Load capacity : up to 2500 lbs
- Casters available as an option



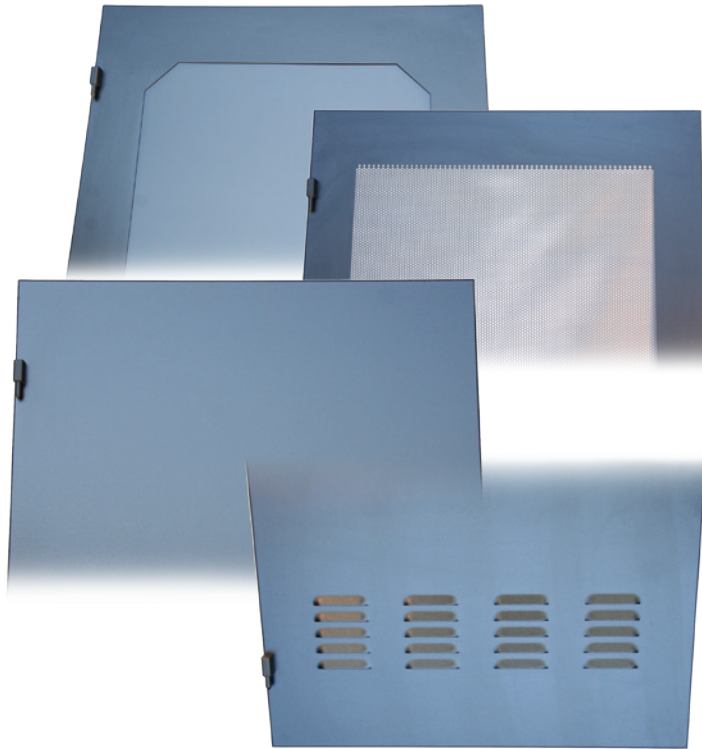
30" Wide cabinet frame

Part Number	A	B	C	# of U's
RFM-304890	30.150	48.150	90.00	48U
RFM-304883	30.150	48.150	83.00	44U
RFM-304290	30.150	48.150	90.00	48U
RFM-304283	30.150	48.150	83.00	44U
RFM-304272	30.150	42.150	72.00	38U
RFM-304259	30.150	42.150	59.00	30U
RFM-304235	30.150	42.150	35.00	17U
RFM-303690	30.150	36.150	90.00	48U
RFM-303683	30.150	36.150	83.00	44U
RFM-303672	30.150	36.150	72.00	38U
RFM-303659	30.150	36.150	59.00	30U
RFM-303635	30.150	36.150	35.00	17U
RFM-303083	30.150	30.150	83.00	44U
RFM-303072	30.150	30.150	72.00	38U
RFM-303059	30.150	30.150	59.00	30U
RFM-303035	30.150	30.150	35.00	17U
RFM-302483	30.150	24.150	83.00	44U

24" Wide cabinet frame

Part Number	A	B	C	# of U's
RFM-244890	24.00	48.150	90.00	48U
RFM-244883	24.00	48.150	83.00	44U
RFM-244290	24.00	42.150	90.00	48U
RFM-244283	24.00	42.150	83.00	44U
RFM-244272	24.00	42.150	72.00	38U
RFM-244259	24.00	42.150	59.00	30U
RFM-244235	24.00	42.150	35.00	17U
RFM-243690	24.00	36.150	90.00	48U
RFM-243683	24.00	36.150	83.00	44U
RFM-243672	24.00	36.150	72.00	38U
RFM-243659	24.00	36.150	59.00	30U
RFM-243635	24.00	36.150	35.00	17U
RFM-243083	24.00	30.150	83.00	44U
RFM-243072	24.00	30.150	72.00	38U
RFM-243059	24.00	30.150	59.00	30U
RFM-243035	24.00	30.150	35.00	17U
RFM-242483	24.00	24.150	83.00	44U

## CABINET DOORS: ACRYLIC, PERFORATED, SOLID, & LOUVERED



### Features:

- Heavy gauge steel
- All welded construction
- All cabinet door styles lift off for ease of equipment and cable installation
- Electronic and Combination lock options available
- Field reversible; requires hinge kit
- Durable textured powder coated finish
- Standard colour is all black
- Custom colours and sizes available upon request

### Highlights:

- Smoked acrylic allows for easy viewing of equipment without opening the door
- Perforated doors provide optimal air flow
- Optional air filter for Louvered doors

### Perforated door

FITS...	PART #	A	B
R.F.MOTE 30" WIDE CABINET	RFM-3090-1-P	84.81	26.31
	RFM-3083-1-P	77.68	26.31
	RFM-3072-1-P	66.68	26.31
	RFM-3059-1-P	53.68	26.31
	RFM-3035-1-P	29.68	26.31
R.F.MOTE 24" WIDE CABINET	RFM-2490-1-P	84.68	20.16
	RFM-2483-1-P	77.68	20.16
	RFM-2472-1-P	66.68	20.16
	RFM-2459-1-P	53.68	20.16
	RFM-2435-1-P	29.68	20.16

### Solid door

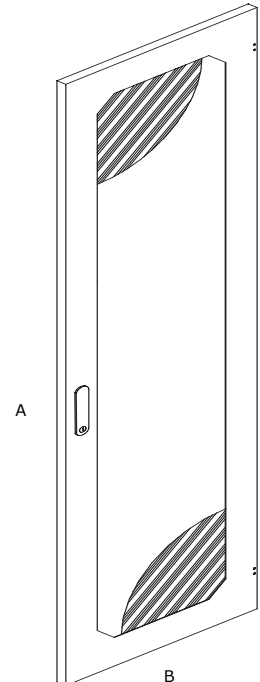
FITS...	PART #	A	B
R.F.MOTE 30" WIDE CABINET	RFM-3090-2	84.81	26.31
	RFM-3083-2	77.68	26.31
	RFM-3072-2	66.68	26.31
	RFM-3059-2	53.68	26.31
	RFM-3035-2	29.68	26.31
R.F.MOTE 24" WIDE CABINET	RFM-2490-2	84.68	20.16
	RFM-2483-2	77.68	20.16
	RFM-2472-2	66.68	20.16
	RFM-2459-2	53.68	20.16
	RFM-2435-2	29.68	20.16

### Smoked acrylic door

FITS...	PART #	A	B
R.F.MOTE 30" WIDE CABINET	RFM-3083-1	77.68	26.31
	RFM-3072-1	66.68	26.31
	RFM-3059-1	53.68	26.31
	RFM-3035-1	29.68	26.31
R.F.MOTE 24" WIDE CABINET	RFM-2483-1	77.68	20.16
	RFM-2472-1	66.68	20.16
	RFM-2459-1	53.68	20.16
	RFM-2435-1	29.68	20.16

### Louvered door

FITS...	PART #	A	B
R.F.MOTE 30" WIDE CABINET	RFM-3083-3	77.68	26.31
	RFM-3072-3	66.68	26.31
	RFM-3059-3	53.68	26.31
	RFM-3035-3	29.68	26.31
R.F.MOTE 24" WIDE CABINET	RFM-2483-3	77.68	20.16
	RFM-2472-3	66.68	20.16
	RFM-2459-3	53.68	20.16
	RFM-2435-3	29.68	20.16



## SPLIT DOORS: PERFORATED, ACRYLIC, & SOLID

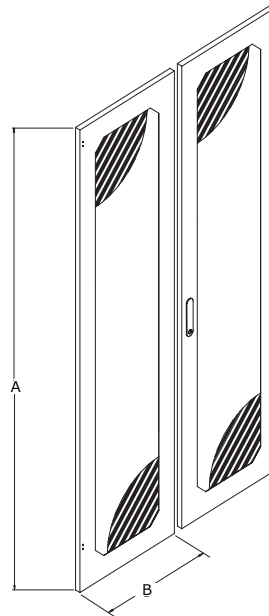


### Features:

- Heavy gauge steel
- All welded construction
- Both cabinet doors lift off for ease of equipment and cable installation
- Equipped with 3-Point locking swing handle
- Electronic and Combination lock options available
- Durable textured powder coated finish
- Standard colour is all black
- Custom colours and sizes available upon request

### Highlights:

- Smoked acrylic allows for easy viewing of equipment without opening the door
- Perforated doors provide optimal air flow



30" wide RFM Series cabinets, 83" height

DESCRIPTION	PART NUMBER	A	B
PERFORATED	RFM-3083-1-P-DD	77.68	13.15
SMOKED ACRYLIC	RFM-3083-1-DD	77.68	13.15
SOLID	RFM-3083-2-DD	77.68	13.15

24" wide RFM Series cabinets, 83" height

DESCRIPTION	PART NUMBER	A	B
PERFORATED	RFM-2483-1-P-DD	77.68	10.00
SMOKED ACRYLIC	RFM-2483-1-DD	77.68	10.00
SOLID	RFM-2483-2-DD	77.68	10.00

30" wide RFM Series cabinets, 72" height

DESCRIPTION	PART NUMBER	A	B
PERFORATED	RFM-3072-1-P-DD	66.68	13.15
SMOKED ACRYLIC	RFM-3072-1-DD	66.68	13.15
SOLID	RFM-3072-2-DD	66.68	13.15

24" wide RFM Series cabinets, 72" height

DESCRIPTION	PART NUMBER	A	B
PERFORATED	RFM-2472-1-P-DD	66.68	10.00
SMOKED ACRYLIC	RFM-2472-1-DD	66.68	10.00
SOLID	RFM-2472-2-DD	66.68	10.00

30" wide RFM Series cabinets, 59" height

DESCRIPTION	PART NUMBER	A	B
PERFORATED	RFM-3059-1-P-DD	53.68	13.15
SMOKED ACRYLIC	RFM-3059-1-DD	53.68	13.15
SOLID	RFM-3059-2-DD	53.68	13.15

24" wide RFM Series cabinets, 59" height

DESCRIPTION	PART NUMBER	A	B
PERFORATED	RFM-2459-1-P-DD	53.68	10.00
SMOKED ACRYLIC	RFM-2459-1-DD	53.68	10.00
SOLID	RFM-2459-2-DD	53.68	10.00

## EXHAUST FAN DOORS



### Features:

- Heavy gauge steel
- All welded construction
- Both cabinet doors lift off for ease of equipment cable installation
- Equipped with 3-Point locking swing handle
- Electronic and Combination lock options available
- Removes hot air from densely populated cabinets
- pre-configured with 6 fans and 6 cover plates (3 of each per door)
- Durable textured powder coated finish
- Standard colour is all black
- Custom colours and sizes available upon request

### Highlights:

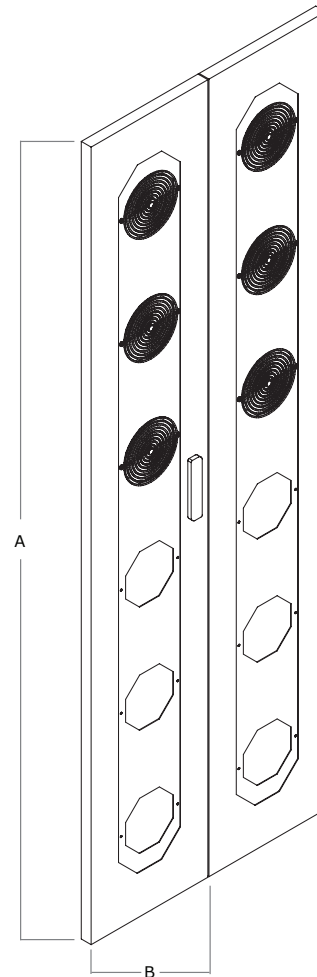
- Each fan provides 135CFM of air movement
- Higher CFM fans available upon request
- Fans can be easily relocated to best suited position
- Each door has separate cord and plug to easily utilize separate circuits

30" wide RFM Series cabinets, 83" height

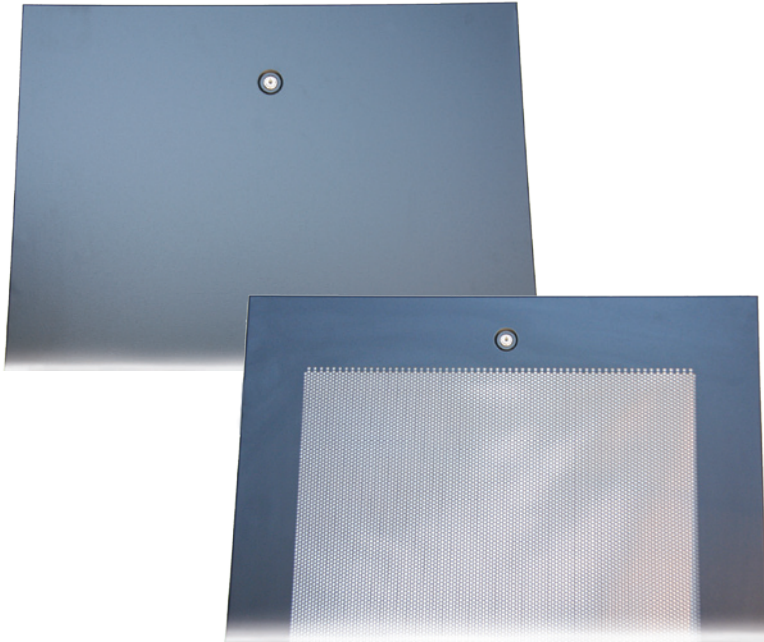
PART DESCRIPTION	PART NUMBER	A	B
EXHAUST FAN DOOR	RFM-3083-FAN-DD	77.68	13.15

24" wide RFM Series cabinets, 83" height

PART DESCRIPTION	PART NUMBER	A	B
EXHAUST FAN DOOR	RFM-2483-FAN-DD	77.68	10.00



## CABINET SIDE PANELS: SOLID & PERFORATED



### Features:

- Heavy gauge steel
- All welded construction
- Side panels are flush mount
- Equipped with key lock for secure installation
- Durable textured powder coated finish
- Standard colour is all black
- Custom colours and sizes available upon request

### Highlights:

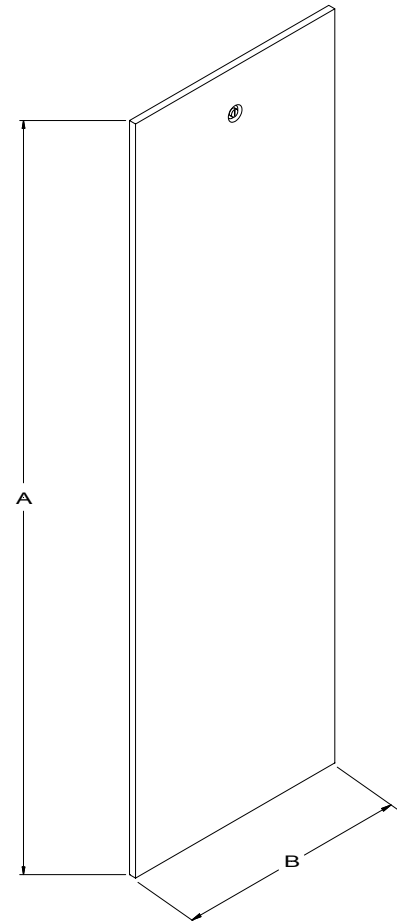
- Key lock is sub-pressed flush with panel surface allowing for cabinets to be placed side-by-side, or flush against walls
- Perforated sides provide optimal air flow

### Solid side panel

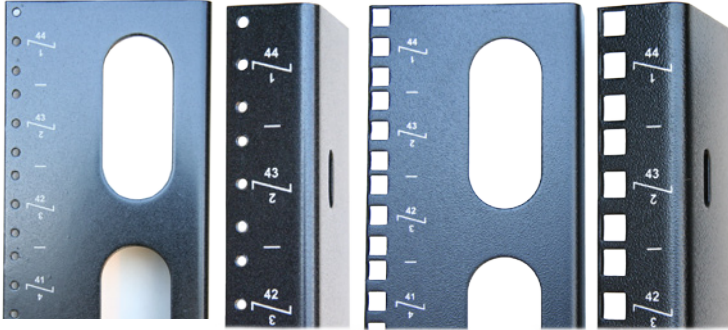
FITS...	PART #	A	B
R.F.MOTE 48" DEEP CABINET	RFM-4890-4	84.94	41.75
	RFM-4883-4	77.75	41.75
R.F.MOTE 42" DEEP CABINET	RFM-4290-4	84.94	35.75
	RFM-4283-4	77.75	35.75
	RFM-4272-4	66.75	35.75
	RFM-4259-4	51.50	35.75
	RFM-4235-4	29.75	35.75
R.F.MOTE 36" DEEP CABINET	RFM-3690-4	84.94	29.75
	RFM-3683-4	77.75	29.75
	RFM-3672-4	66.75	29.75
	RFM-3659-4	51.50	29.75
	RFM-3635-4	29.75	29.75
R.F.MOTE 30" DEEP CABINET	RFM-3083-4	77.75	23.75
	RFM-3072-4	66.75	23.75
	RFM-3059-4	51.50	23.75
	RFM-3035-4	29.75	23.75
R.F.MOTE 24" DEEP CABINET	RFM-2483-4	77.75	41.75

### Perforated side panel

FITS...	PART #	A	B
R.F.MOTE 48" DEEP CABINET	RFM-4890-4P	84.94	41.75
	RFM-4883-4P	77.75	41.75
R.F.MOTE 42" DEEP CABINET	RFM-4290-4P	84.94	35.75
	RFM-4283-4P	77.75	35.75
	RFM-4272-4P	66.75	35.75
	RFM-4259-4P	51.50	35.75
	RFM-4235-4P	29.75	35.75
R.F.MOTE 36" DEEP CABINET	RFM-3690-4P	84.94	29.75
	RFM-3683-4P	77.75	29.75
	RFM-3672-4P	66.75	29.75
	RFM-3659-4P	51.50	29.75
	RFM-3635-4P	29.75	29.75
R.F.MOTE 30" DEEP CABINET	RFM-3083-4P	77.75	23.75
	RFM-3072-4P	66.75	23.75
	RFM-3059-4P	51.50	23.75
	RFM-3035-4P	29.75	23.75
R.F.MOTE 24" DEEP CABINET	RFM-2483-4P	77.75	41.75



## MOUNTING ANGLES / STANDARD EIA RAILS



### Features:

- 11 gauge steel
- Silk screened 'U' Markings
- EIA rails are used to mount patch panels, servers, rack mount accessories, etc.
- Available tapped #10-32
- Also available with .375" x .375" square holes for cage nut mounting
- Wet painted, durable finish to avoid clogged threads in tapped rails
- Standard colour is all black with white silk screened markings

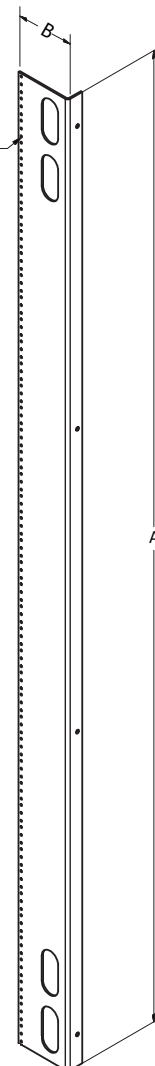
### Highlights:

- 30" Wide cabinet version c/w cable pass through access holes

### 30" wide RFM Series cabinets

	PART NUMBER		A	B	# of U's
	TAPPED #10-32	CAGE-NUT STYLE			
19" EIA MOUNT	RFM-1990-MA	RFM-1990-MA-SQ	84.00	4.45	48U
	RFM-1983-MA	RFM-1983-MA-SQ	77.00	4.45	44U
	RFM-1972-MA	RFM-1972-MA-SQ	66.50	4.45	38U
	RFM-1959-MA	RFM-1959-MA-SQ	52.50	4.45	30U
	RFM-1935-MA	RFM-1935-MA-SQ	29.75	4.45	17U
23" EIA MOUNT	RFM-2383-MA	RFM-2383-MA-SQ	77.00	2.45	44U
	RFM-2372-MA	RFM-2372-MA-SQ	66.50	2.45	38U
	RFM-2359-MA	RFM-2359-MA-SQ	52.50	2.45	30U
	RFM-2335-MA	RFM-2335-MA-SQ	29.75	2.45	17U

EIA standard pattern



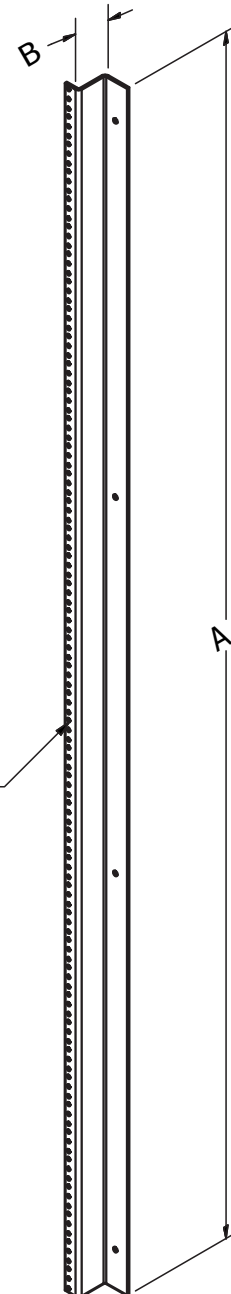
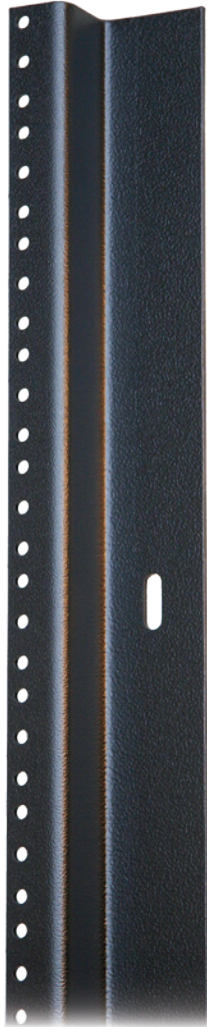
### 24" wide RFM Series cabinets

	PART NUMBER		A	B	# of U's
	TAPPED #10-32	CAGE-NUT STYLE			
19" EIA MOUNT	RFM-1990-MA-24	RFM-1990-MA-24-SQ	84.00	1.38	48U
	RFM-1983-MA-24	RFM-1983-MA-24-SQ	77.00	1.38	44U
	RFM-1972-MA-24	RFM-1972-MA-24-SQ	66.50	1.38	38U
	RFM-1959-MA-24	RFM-1959-MA-24-SQ	52.50	1.38	30U
	RFM-1935-MA-24	RFM-1935-MA-24-SQ	29.75	1.38	17U

## Z RAILS

### Features:

- 11 gauge steel
- Used for installing non rack mount style shelving
- Standard EIA pattern .218" diam. holes
- Durable textured powder coated finish
- Standard colour is all black



### 30" wide RFM Series cabinets

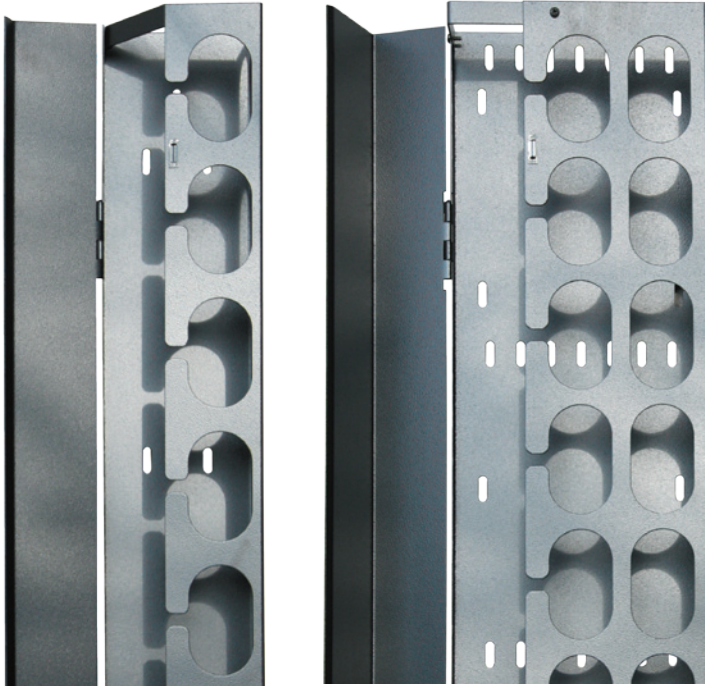
PART NUMBER	A	B	# of U's
RFM-83-ZR	77.00	2.00	44U
RFM-72-ZR	66.50	2.00	38U
RFM-59-ZR	52.50	2.00	30U
RFM-35-ZR	29.75	2.00	17U

### 24" wide RFM Series cabinets

PART NUMBER	A	B	# of U's
RFM-83-ZR-24	77.00	1.40	44U
RFM-72-ZR-24	66.50	1.40	38U
RFM-59-ZR-24	52.50	1.40	30U
RFM-35-ZR-24	29.75	1.40	17U

.218 dia holes  
Standard EIA pattern

## VERTICAL CABLE MANAGERS: FOR RFM SERIES 30 CABINETS



### Features:

- Heavy gauge steel
- Fits RFM series 30" wide cabinets
- Durable textured powder coated finish
- Standard colour is all black

### Highlights:

- Provisions for cable ties
- Available in both Narrow and Wide series (5.0", 7.0", or 8.5" depth)

### VCM Narrow series: 5" depth

PART NUMBER	A	B	C	# of U's
RFM-583-VCM	76.75	5.00	3.25	44U
RFM-572-VCM	65.75	5.00	3.25	38U
RFM-559-VCM	52.75	5.00	3.25	30U
RFM-535-VCM	28.75	5.00	3.25	16U

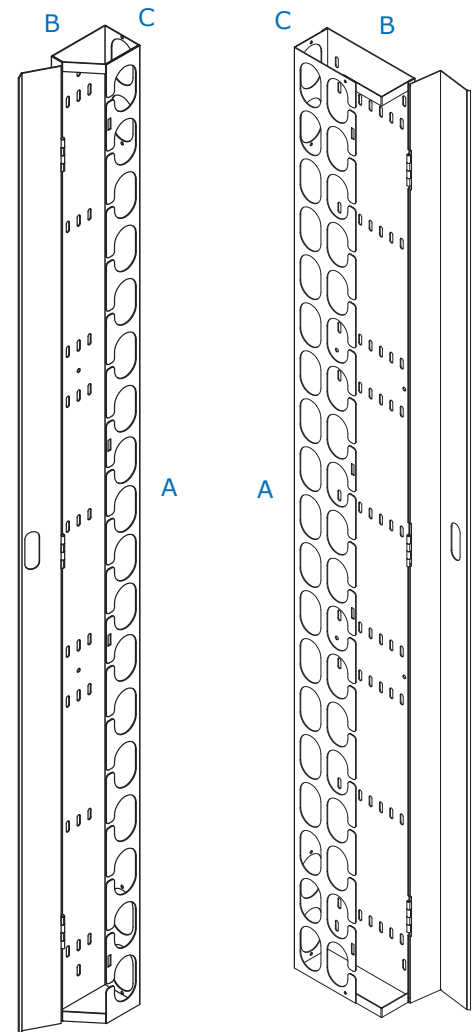
### VCM Wide series: 7" depth

PART NUMBER	A	B	C	# of U's
RFM-790-VCM-A	84.19	7.00	3.5	48U
RFM-783-VCM-A	76.75	7.00	3.5	44U

### VCM Wide series: 8.5" depth

PART NUMBER	A	B	C	# of U's
RFM-983-VCM-A	76.75	8.50	3.25	44U
RFM-972-VCM-A	65.75	8.50	3.25	38U
RFM-959-VCM-A	52.75	8.50	3.25	30U
RFM-935-VCM-A	28.75	8.50	3.25	16U

Note: VCM series not recommended for 24" wide cabinets



VCM narrow series

VCM wide series



## HIGH DENSITY VERTICAL CABLE MANAGERS FOR RFM SERIES CABINETS



High density vertical cable manager shown installed with offset kit

### Features:

- Heavy gauge steel
- 19" equipment rails are offset to one side allowing for a larger volume of cabling to be managed on the other side
- Rounded support fingers ensure gentle bend radii and 3/4" thickness provides extra support for cables helping to prevent damage
- Durable textured powder coated finish
- Standard colour is all black

### Highlights:

- High density cable managers may only be installed on one side of the cabinet
- Designed for use in all 30"Wide x 83"Height RFM Series cabinets

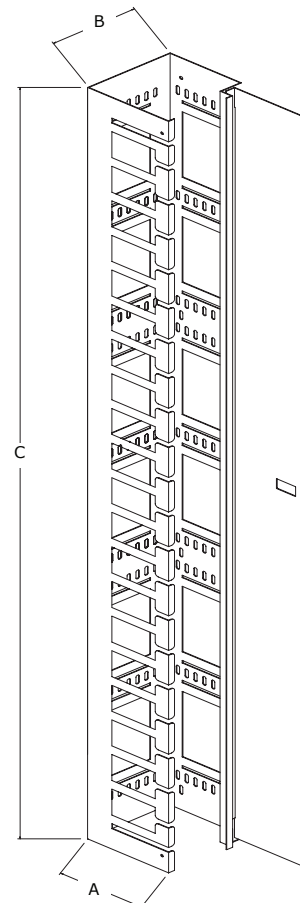
Note<sup>1</sup>: Offset mounting angle kit required for installation of cable manager

### High density cable manager

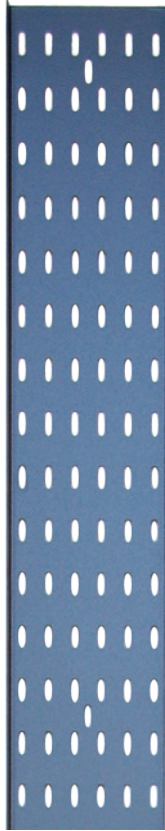
PART NUMBER	A	B	C	FITS WITH...
RFM-783-VCM-HD	6.875	6.50	76.00	30"W x 83"H RFM CABINETS

### Required offset mounting angle kit

PART NUMBER	FITS WITH...
RFM-1983-MA-OS	RFM-783-VCM-HD



## VERTICAL CABLE TROUGHS

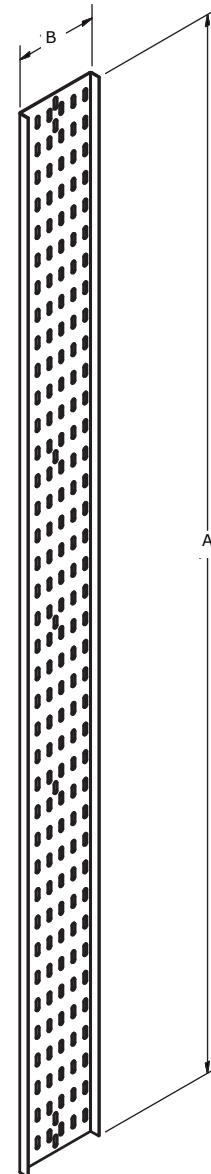


### Features:

- Heavy gauge steel
- Durable textured powder coated finish
- Standard colour is all black

### Highlights:

- Provisions for cable ties
- Slim depth
- Ideal for use in RFM series 24" wide cabinets



### 6" Wide series

PART NUMBER	A	B	# of U's
RFM-683-VCT	76.88	6.00	44U
RFM-672-VCT	65.88	6.00	38U
RFM-659-VCT	52.75	6.00	30U
RFM-635-VCT	28.75	6.00	17U

### 5" Wide series

PART NUMBER	A	B	# of U's
RFM-583-VCT	76.88	5.00	44U
RFM-572-VCT	65.88	5.00	38U
RFM-559-VCT	52.75	5.00	30U
RFM-535-VCT	28.75	5.00	17U

### 4" Wide series

PART NUMBER	A	B	# of U's
RFM-483-VCT	76.88	4.00	44U
RFM-472-VCT	65.88	4.00	38U
RFM-459-VCT	52.75	4.00	30U
RFM-435-VCT	28.75	4.00	17U

Note: VCT series is recommended for 24" wide cabinets

## VERTICAL CABLE LADDER

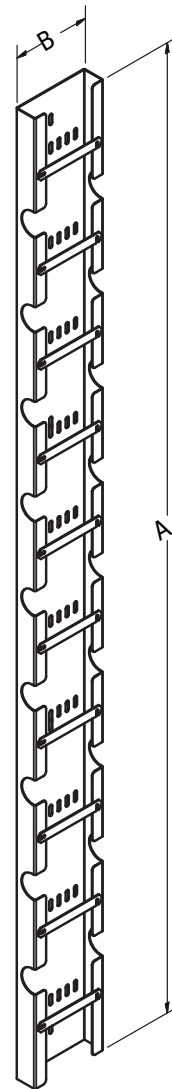


### Features:

- Heavy gauge steel
- Arms swing / pivot for easy cable access
- Durable textured powder coated finish
- Standard colour is all black

### Highlights:

- Provisions for cable ties



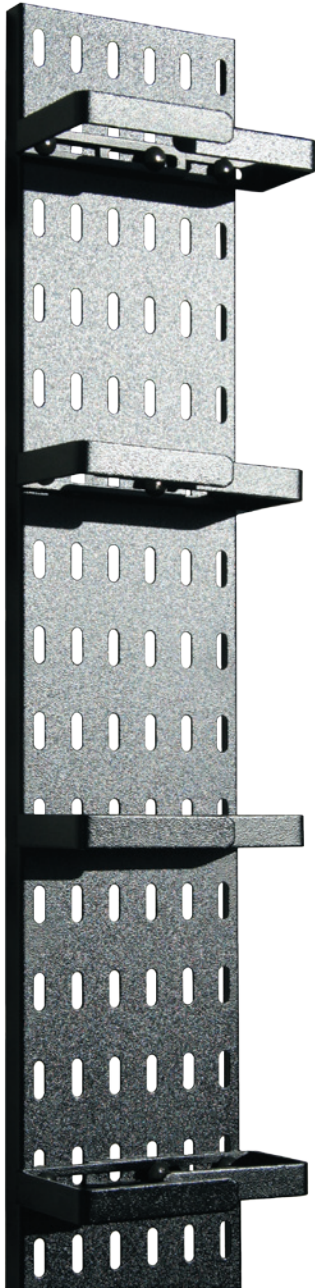
### 6" Wide series

PART NUMBER	A	B	# of U's
RFM-683-VBB	76.88	6.25	44U
RFM-672-VBB	65.88	6.25	38U
RFM-659-VBB	52.75	6.25	30U
RFM-635-VBB	28.75	6.25	17U

Note<sup>1</sup>: 4" wide also available

Note<sup>2</sup>: not recommended for 24" wide cabinets

## HIGH DENSITY CABLE MANAGERS FOR CABINETS

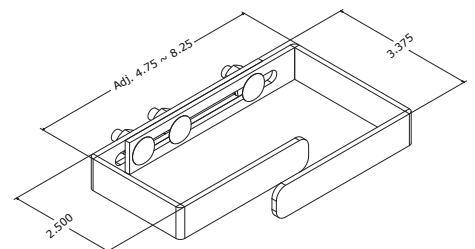
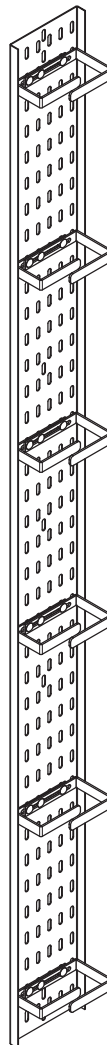


### Features:

- Heavy gauge steel
- Unit designed for use with all R.F.Mote 83" height cabinets
- Allows for large volume of cabling to be managed
- Includes 6 adjustable D-Rings for cable Management
- Durable textured powder coated finish
- Standard colour is all black

### Highlights:

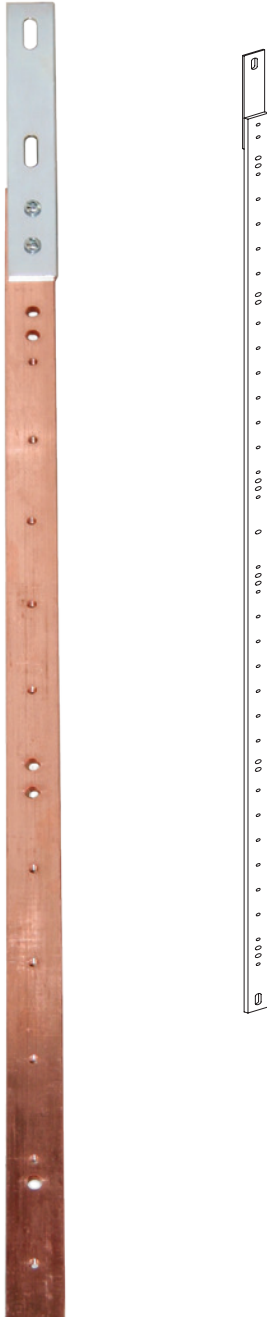
- Provisions for cable ties
- D-Rings can be installed on the front or back of VCT, in multiple configurations, and are adjustable in size
- Additional D-Rings also available separately
- D-Rings can also be mounted on: Cabinet or 4-post rack cross members, or outside of vertical cable manager (eg. RFM-RVCM)
- Custom sizes available on request



PART DESCRIPTION	PART NUMBER
VCT-HD*	RFM-683-VCT-HD
D-RINGS INSTALL ON VCT-HD	RFM-DR-ADJ

\* Fits all RFM Series 83"H Cabinets

## GROUNDING BARS: VERTICAL & HORIZONTAL MOUNT



Features:

### Vertical Grounding Bar

- Copper bar: 1" Width x 3/16" thick
- Multiple sets of holes for 2 hole ground lug
- Multiple holes for single hole lug (tapped #10-32)
- Attaches to cabinet cross members
- Custom sizes available on request

Features:

### Horizontal Grounding Bar

- Copper bar: 1" Width x 3/16" thick
- Multiple sets of holes for 2 hole ground lug
- Multiple holes for single hole lug (tapped #10-32)
- Attaches horizontally to mounting angles/rails
- 19" EIA mounting



### Vertical Grounding Bar

FITS ALL OUR	PART NUMBER
83" HEIGHT CABINETS	RFM-GB-83
72" HEIGHT CABINETS	RFM-GB-72
59" HEIGHT CABINETS	RFM-GB-59

### Horizontal Grounding Bar

	PART NUMBER
19" EIA Mounting	RFM-HGB-19

## VERTICAL CABLE MANAGERS, FINGERED: FOR RFM SERIES 30 CABINETS

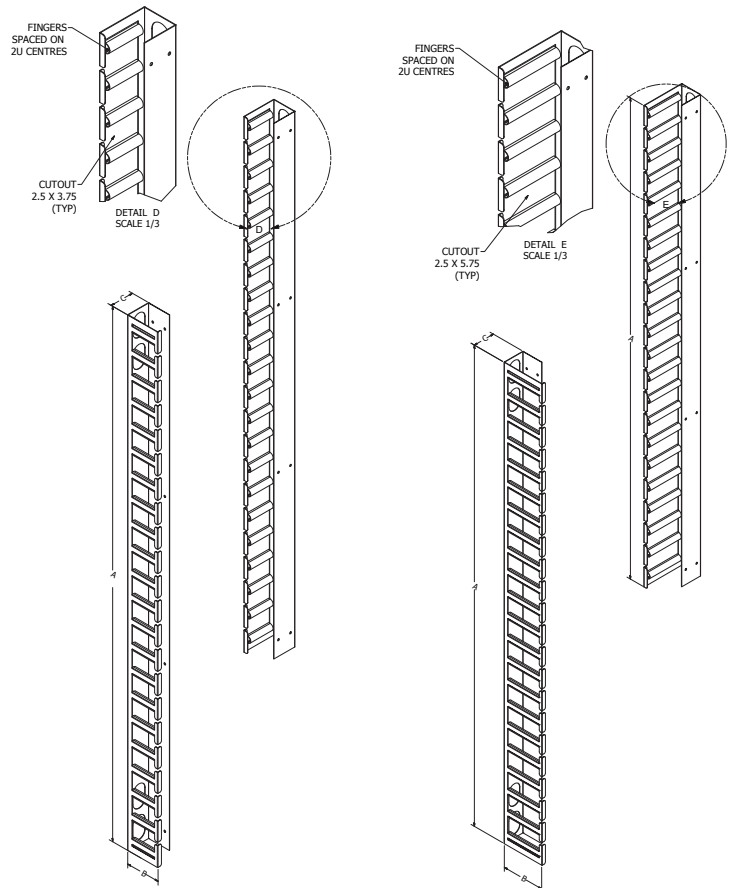


### Features:

- Heavy gauge steel
- Fits RFM series 30" wide cabinets
- Durable textured powder coated finish
- Standard colour is all black

### Highlights:

- 3/4" Thick fingers
- Fingers spaced every 2U
- Openings between fingers allow for easy adds or moves
- Fingers support cables as they transition into the horizontal plane
- Available in both Narrow and Wide series (5.0" or 7.0" depth)



### VCM-FND Narrow series: 5" depth

PART NUMBER	A	B	C	# of U's
RFM-583-VCM-FND	76.75	5.00	3.50	44U
RFM-572-VCM-FND	65.75	5.00	3.50	38U
RFM-559-VCM-FND	52.75	5.00	3.50	30U
RFM-535-VCM-FND	29.75	5.00	3.50	17U

### VCM-FND Wide series: 7" depth

PART NUMBER	A	B	C	# of U's
RFM-783-VCM-FND	76.75	7.00	3.50	44U
RFM-772-VCM-FND	65.75	7.00	3.50	38U
RFM-759-VCM-FND	52.75	7.00	3.50	30U
RFM-735-VCM-FND	29.75	7.00	3.50	17U

Note: VCM-FND series not recommended for 24" wide cabinets

VCM narrow series

VCM wide series

## VERTICAL CABLE MANAGERS - HIGH DENSITY FOR RFM SERIES HIGH DENSITY NETWORKING CABINETS

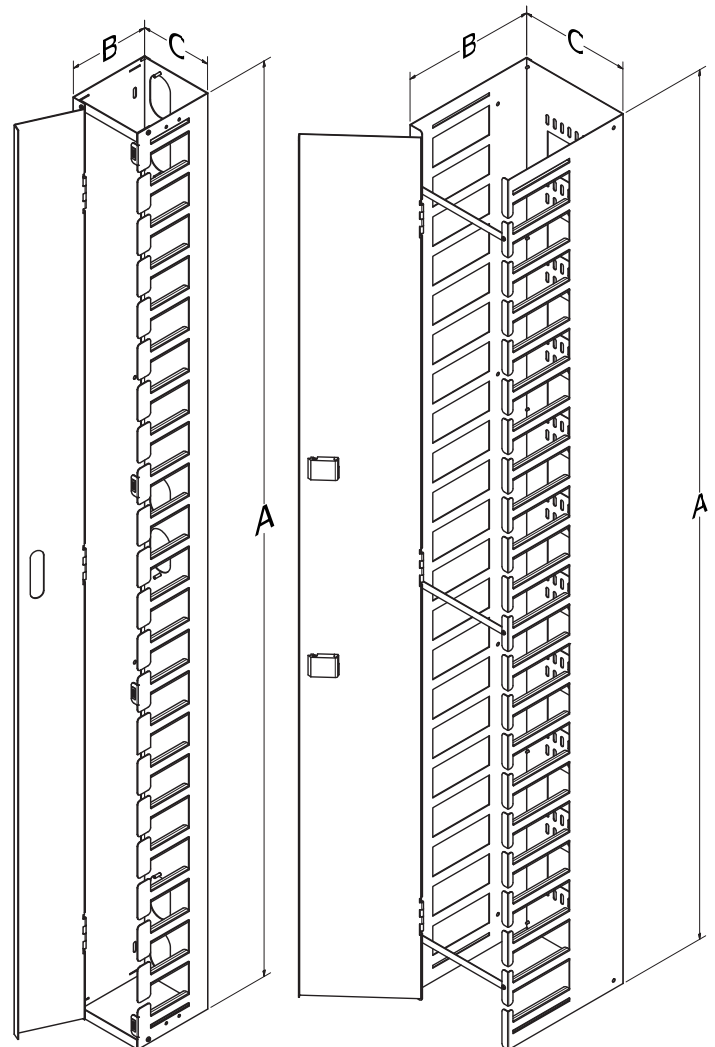


### Features:

- Heavy gauge steel
- RFM-7xx-VCM-HD-36 series fits RFM series 36" wide cabinets
- RFM-10xx-HDC series fits RFM series 46" wide cabinets
- Large footprint allows for large volume of cables
- Door latches closed (*on 10" wide series*)
- Durable textured powder coated finish
- Standard colour is all black

### Highlights:

- Wide metal fingers: 3/4" thick for added strength
- Fingers spaced every 2U and are further enhanced with rounded, plastic snap-on, cable supports



7xx-VCM-HD series

10xx-HDC series

### Cable Mgt for 36" Wide High Density Cabinets

PART NUMBER	A	B	C	# of U's
RFM-783-VCM-HD-36	77.00	6.25	7.00	44U
RFM-790-VCM-HD-36	84.25	6.25	7.00	48U

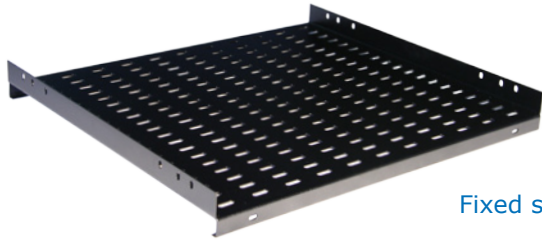
### Cable Mgt for 46" Wide High Density Cabinets

PART NUMBER	A	B	C	# of U's
RFM-1083-HDC	77.00	12.00	10.00	44U
RFM-1090-HDC	84.25	12.00	10.00	48U

Note<sup>1</sup>: See catalogue page 1.2.9 for RFM Series High Density Networking Cabinet 36" Wide

Note<sup>2</sup>: See catalogue page 1.2.10 for RFM Series High Density Networking Cabinet 46" Wide

## CABINET SHELF: Z-RAIL MOUNT Fixed and Retractable



Fixed series



Wide retractable series



Narrow retractable series

### Features:

- Heavy gauge steel
- Return bends for strength
- Perforated for ventilation, mounting servers, cable ties, and accessories
- Durable textured powder coated finish
- Standard colour is all black

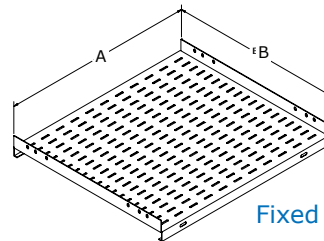
### Highlights:

- These cabinet style shelves require 4 (four) Z-Rails for mounting purposes
- All RFM-xx29-CFS shelves have dual stiffeners for load bearing support
- All CRS series shelves feature heavy duty full extension drawer slides
- CRS Narrow series designed to slide between 19" mounting angles

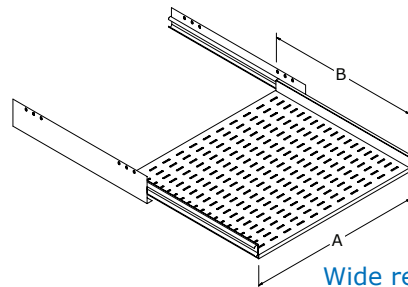
Fixed series			
FITS RFM SERIES...	PART NUMBER	A	B
30" WIDE CABINET	RFM-2320-CFS	22.63	20.00
	RFM-2329-CFS	22.63	29.00
24" WIDE CABINET	RFM-1820-CFS-24	17.69	20.00
	RFM-1829-CFS-24	17.69	29.00

Wide retractable series			
FITS RFM SERIES...	PART NUMBER	A	B
30" WIDE CABINET	RFM-2220-CRS	21.63	20.00
24" WIDE CABINET	RFM-1720-CRS-24	16.63	20.00

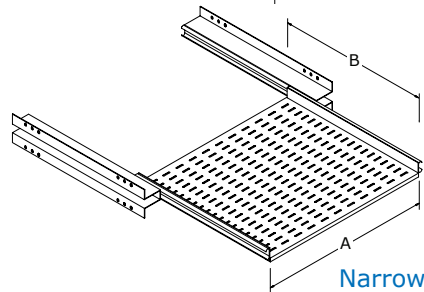
Narrow retractable series			
FITS RFM SERIES...	PART NUMBER	A	B
30" WIDE CABINET	RFM-1720-CRS	17.63	20.00



Fixed series



Wide retractable series



Narrow retractable series



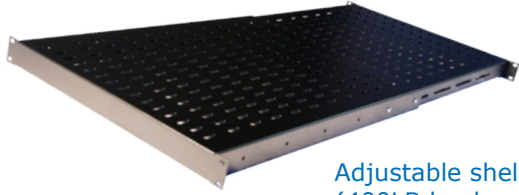
## CABINET SHELF: 4 POINT MOUNTING Adjustable, Fixed, and Retractable

### Features:

- Heavy gauge steel
- 19" Rack mount shelf fits RFM Series Cabinets, RFM Fortress cabinets, as well as RFM Four-Post Racks
- 4-point rack mounting
- In cabinets, bolts to EIA mounting rails in front and rear
- Perforated for ventilation, mounting servers, cable ties, and accessories
- Durable textured powder coated finish
- Standard colour is all black

### Highlights:

- This cabinet style shelving requires 4 mounting rails for installation purposes
- All CFS-4 series shelves feature adjustable mounting depth
- All CRS-4 series shelves features heavy duty full extension drawer slides



Adjustable shelf depth  
(400LB load capacity)



Adjustable mount depth  
(200LB load capacity)

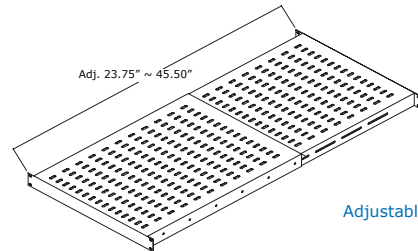


Retractable / sliding  
Adjustable mount depth  
(100LB load capacity)

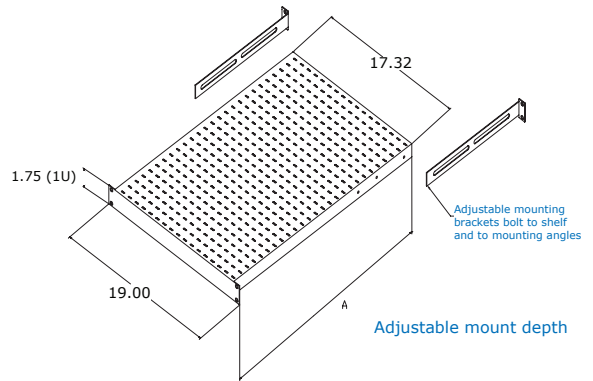
Adjustable shelf depth - fixed series - 400LB load capacity		
PART NUMBER	OVERALL ADJUSTABLE MOUNTING DEPTH	# of U's
RFM-2440-CFS-4	23.75" ~ 45.50"	1U

Adjustable mounting depth - fixed series - 200LB load capacity			
PART NUMBER	SHELF DEPTH (A)	OVERALL ADJUSTABLE MOUNTING DEPTH	# of U's
RFM-1726-CFS-4	26.00	6.00" ~ 33.475"	1U
RFM-1719-CFS-4	19.00	6.00" ~ 26.625"	1U
RFM-1716-CFS-4 (NOTE: NON-VENTED)	16.00	6.00" ~ 23.625"	1U

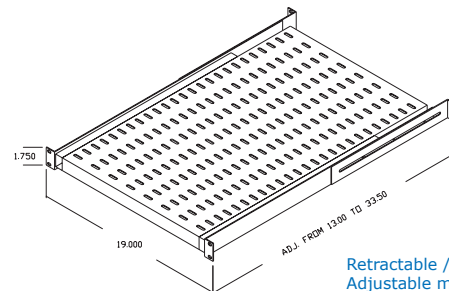
Adjustable mount depth - retractable series - 100LB load capacity			
PART NUMBER	SHELF DEPTH	OVERALL ADJUSTABLE MOUNTING DEPTH	# of U's
RFM-1726-CRS-4-1U	26.00	13.00" ~ 33.35"	1U



Adjustable shelf depth



Adjustable mount depth



Retractable / sliding  
Adjustable mount depth

## OVERHEAD CABLE TROUGH FOR CABINETS



Horizontal cable trough  
(trough, joiner, and end cap - assembled)

### Features:

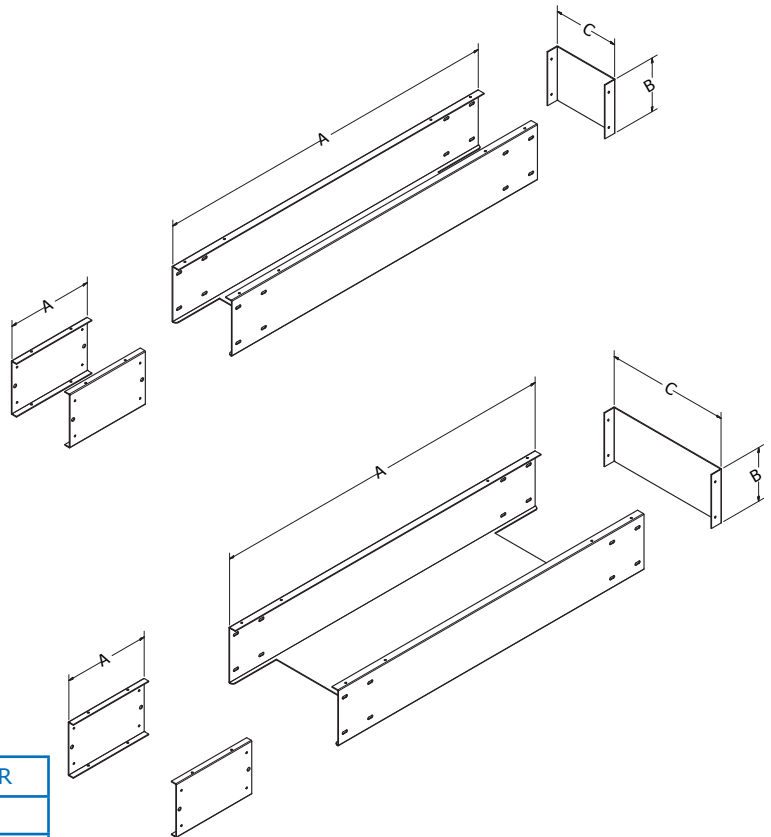
- Manage cables across the top of any R.F. Mote cabinet
- Modular design for easy adds and moves
- Durable textured powder coated finish
- Standard colour is all black

### Highlights:

- Easy to assemble and install
- Heavy gauge steel



Horizontal cable trough - high density  
(trough, joiner and end cap)



### Horizontal cable trough

PART NUMBER	A	B	C	PART FITS ALL OUR
RFM-HCT-30	30.00	4.75	5.88	30"W CABINETS
RFM-HCT-24	23.85	4.75	5.88	24"W CABINETS
RFM-HCTE-C-5	n/a	4.56	5.63	TROUGHS (END CAP)
RFM-HCT-J-5	7.40	4.50	n/a	TROUGHS (JOINER)

### Horizontal cable trough - High density

PART NUMBER	A	B	C	PART FITS ALL OUR
RFM-HCT-30-10	30.00	4.75	10.75	30"W CABS. (30", 36" OR 42" DEPTH)
RFM-HCT-24-10	23.85	4.75	10.75	24"W CABINETS (36" OR 42" DEPTH)
RFM-HCTE-C-10	n/a	4.56	10.63	TROUGHS (END CAP)
RFM-HCT-J-5	7.40	4.50	n/a	TROUGHS (JOINER)

## FRONT TO BACK CABLE TROUGH

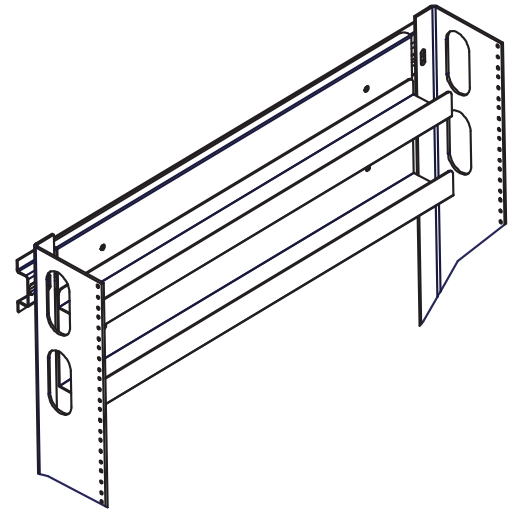


### Features:

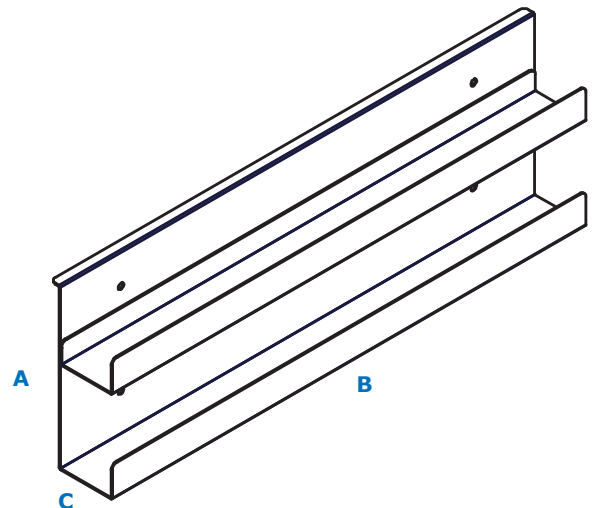
- Provides support for cables routed front to back of cabinet through access holes in mounting angles
- Durable textured powder coated finish
- Standard colour is all black

### Highlights:

- Heavy gauge steel
- For use in RFM Series 30" wide cabinets
- Mounts on cross members



PART NUMBER	A	B	C	FITS OUR...
RFM-FTB-CT-BA	7.875	23.50	2.60	30"W CABINETS



## WIRING STACKS: FOR CABINETS

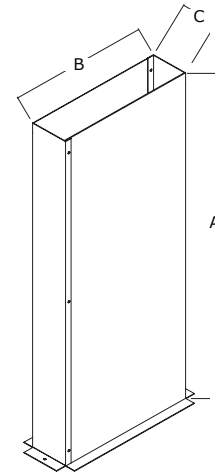


Features:

- Heavy gauge steel
- Designed to cover cabling from ceiling to cabinet
- Sized to suit cable access cutouts 2.75" x 10"
- Durable textured powder coated finish
- Standard colour is all black

Highlights:

- Two piece construction allows cabling to be installed first
- Simple assembly



PART NUMBER	A	B	C	# of U's
RFM-CWS-24	24.00	10.095	2.75	14U
RFM-CWS-36	36.00	10.095	2.75	21U
RFM-CWS-48	48.00	10.095	2.75	28U

## WIRING STACKS: FOR RACKS

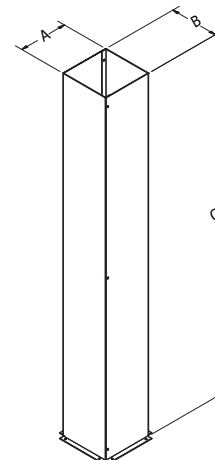


Features:

- Heavy gauge steel
- Designed to cover cabling from ceiling to rack
- Durable textured powder coated finish
- Standard colour is all black

Highlights:

- RFM-SWS series stacks attach to RFM-HCT series cable troughs
- Two piece construction allows cabling to be installed first
- Simple assembly



PART NUMBER	A	B	C	# of U's
RFM-SWS-24	4.875	4.875	24.00	14U
RFM-SWS-36	4.875	4.875	36.00	21U
RFM-SWS-48	4.875	4.875	48.00	28U
RFM-SWS-60	4.875	4.875	60.00	34U

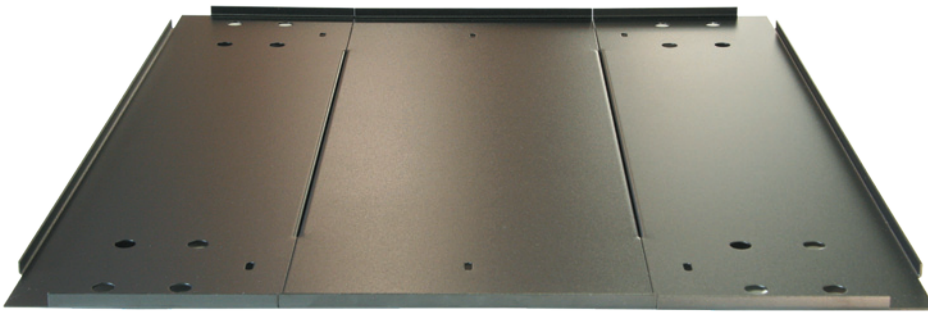
## FLOOR PLATES

### Features:

- Heavy gauge steel
- 3 Section assembly for ease of installation
- Durable textured powder coated finish
- Standard colour is all black

### Highlights:

- Closes off base of cabinet
- Can be used as a shelf

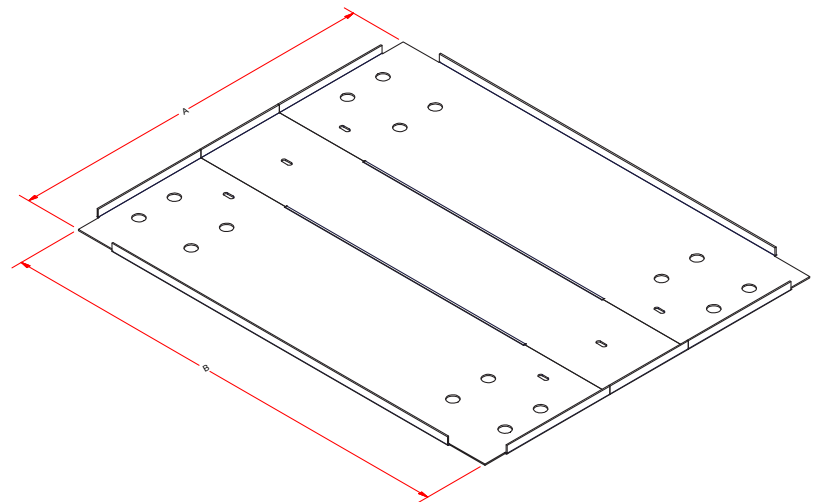


### RFM Series 30" wide cabinet

PART NUMBER	A	B
RFM-3030-FP	28.15	27.47
RFM-3036-FP	28.15	33.47
RFM-3042-FP	28.15	39.47

### RFM Series 24" wide cabinet

PART NUMBER	A	B
RFM-2430-FP	22.00	27.47
RFM-2436-FP	22.00	33.47
RFM-2442-FP	22.00	39.47



Note<sup>1</sup>: Floor plates come with one pair of Caster pads

Note<sup>2</sup>: Caster sets are separately available

## TOP OF CABINET CABLE ENTRY BRUSH KIT

### Features:

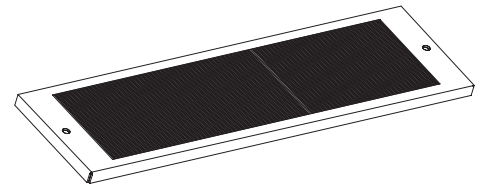
- Prevent air escaping around cable bundles
- Durable textured powder coated finish
- c/w nylon brush
- Standard colour is all black



### Highlights:

- Plate fits all RFM Series cabinets, RFM Series Fortress, and RFM Series Wallmount extender cable access openings

PART NUMBER
RFM-TEBK



## WATER FALL CABLE ENTRY PLATE

### Features:

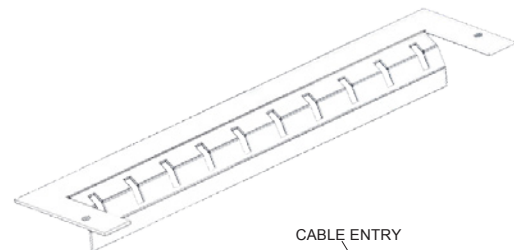
- Waterfall profile allows cables to maintain bend radii entering the cabinet
- Durable textured powder coated finish
- Standard colour is all black



### Highlights:

- Plate fits all RFM Series cabinets, RFM Series Fortress, and RFM Series Wallmount extender cable access openings

PART NUMBER
RFM-WFCP



CABLE ENTRY  
CABINET  
TOP

## ELECTRONIC LOCKING SWING HANDLE



Features (-SH & -PRX) :

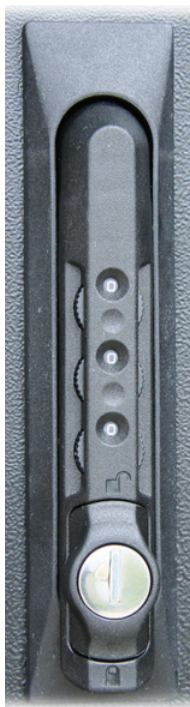
- Local monitoring with multi-colour LED indicator
- Remote lock and unlock control
- Momentary or continuous lock actuation
- High Security DIN lock for mechanical key override
- Wire harness included
- Activated via any 3rd party control system (Access Control)
- Low energy consumption (less than 200mA at 12VDC)

Features (-PRX only) :

- 125kHz HID® reader recognizes existing employee RFID prox cards
- Wiegand output can be connected to a stand alone controller or an existing networked access control system for remote control, monitoring, and reporting

PART NUMBER	VOLTAGE	CURRENT
RFM-E-LOCK-SH	12VDC to 24VDC	<200mA @ 12VDC
RFM-E-LOCK-PRX	12VDC to 24VDC	<200mA @ 12VDC

## COMBINATION LOCKING / KEY OVERRIDE SWING HANDLE



Features:

- Accommodates both left and right hand doors
- Lock or Unlock by using Standard key
- Lock and Unlock by using Combination
- Any 3-Digit combination can be set
- Single or multi-point locking
- Key overrides combination feature

PART NUMBER	FEATURES
RFM-COMBOLOCK	SWINGHANDLE WITH COMBO LOCK

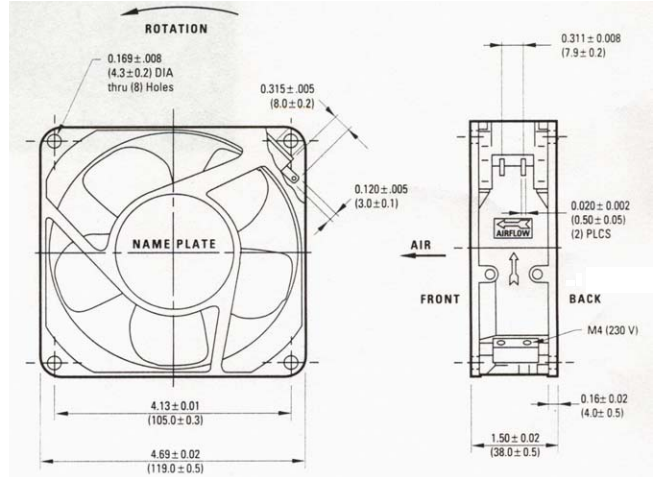
## 4" EXHAUST FAN



PART NUMBER	AIRFLOW
RFM-1-FAN	105 CFM
RFM-2-FAN	210 CFM

### Features:

- 1 or 2 fan assemblies available
- 105 CFM (single fan), 210 CFM (dual fan)
- 115VAC 50/60HZ 24/22W (Standard)
- 230VAC available on request



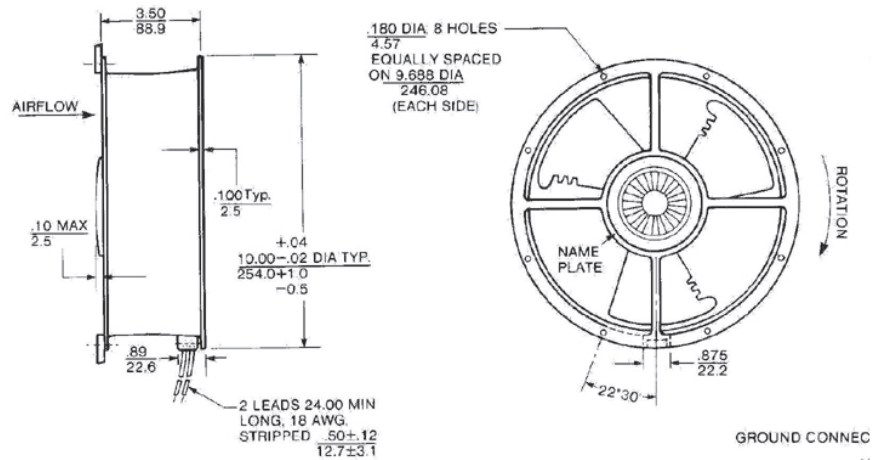
## 10" EXHAUST FAN



PART NUMBER	AIRFLOW
RFM-10-FAN	525 CFM

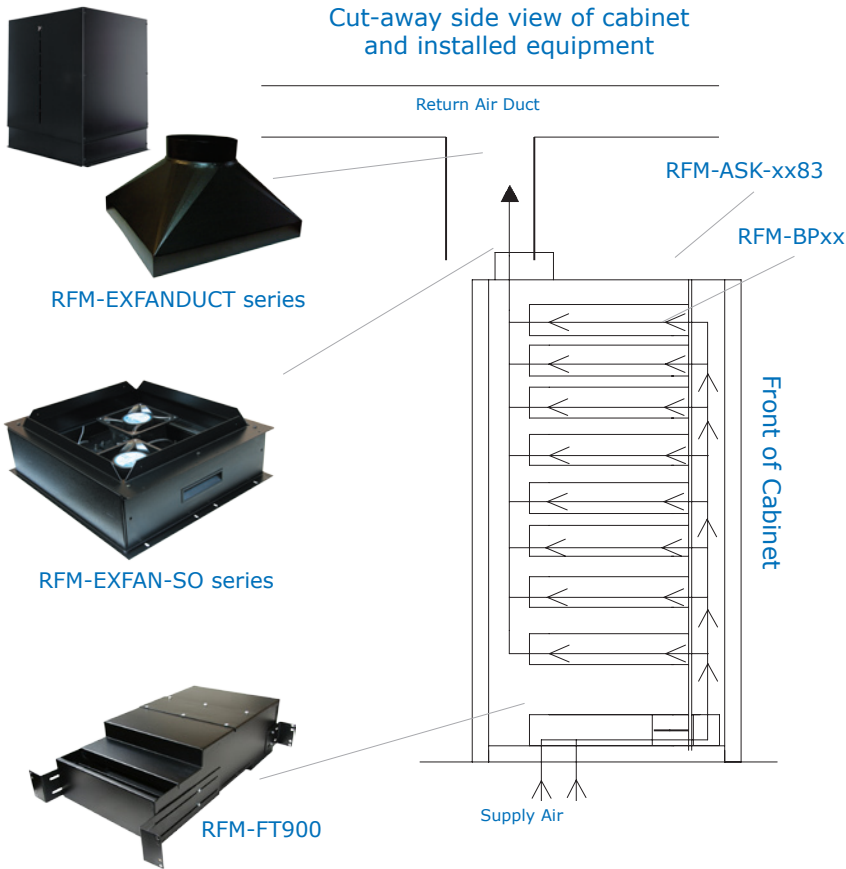
### Features:

- 525 CFM (Single fan harness)
- 115VAC 50/60HZ (Standard)
- 230VAC available on request





## THERMAL MANAGEMENT: DUCTED SOLUTIONS



Typically, heat loads of can be efficiently handled utilizing Perforated Front and Rear doors. The installation of Blank Plates to fill empty rack spaces and Airstops help prevent the mixing of cool supply air with heated exhaust air within the enclosure.

As heat loads rise active cooling options, such as: top of enclosure Fan Systems may be added. This combination further enhances your equipment cooling effectiveness by better utilizing in-room conditioned air.

At Higher heat loads, another step to increase cooling effectiveness is to prevent hot air recirculation outside of the enclosure. The installation of R.F.Mote EXFAN Ducts and solid rear doors help direct exhausted air into the existing return air plenum.

Isolating exhaust air and removing it from the room also reduces overall room temperature. R.F.Mote enclosures are designed to facilitate the use of both passive and active cooling options as required. Various options may be added to existing enclosures as densities and heat loads rise.

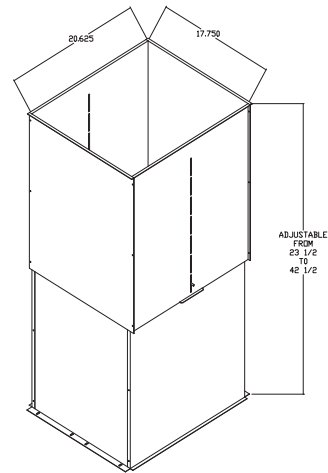
Designed for use in all R.F.Mote cabinets, our cooling solutions utilize any combination of Perforated or Solid Doors, Fan Kits, Blanking plates, Airstops and Exhaust Ducts to maximize the utilization of available conditioned air to cool servers and effectively remove hot air through the rear and/or top of the enclosure.

PART NUMBER	CAT. PAGE#	DESCRIPTION
RFM-EXFANDUCT	PAGE 2.1.3	EXHAUST DUCT (ATTACHES TO TOP OF CABINET)
RFM-EXFAN-2	PAGE 2.1.4	HIGH VOLUME EXHAUST UNIT 840 CFM (ATTACHES TO TOP OF CABINET)
RFM-EXFAN-4	PAGE 2.1.4	HIGH VOLUME EXHAUST UNIT 1680 CFM (ATTACHES TO TOP OF CABINET)
RFM-FT900	PAGE 2.1.4	COLD AIR DISTRIBUTION UNIT 840 CFM (ATTACHES TO BOTTOM OF CABINET, REQUIRES 4U OF SPACE)
RFM-ASK-xx83	PAGE 2.1.5	AIR STOP KITS (FOR RFM SERIES CABINETS)
RFM-ASK-FORTxx	PAGE 2.1.6	AIR STOP KITS (FOR RFM SERIES FORTRESS CABINETS)
RFM-BP Series	PAGE 6.2.2	BLANK PLATES (STEEL OR COMPOSITE)

## EXHAUST DUCT: ADJUSTABLE HEIGHT

Features:

- Prevents exhaust air from circulating over the top of the cabinet
- Prevents warm and cold air mixing by isolating the hot air from the cabinet to the return air plenum
- Mounts on top of cabinet
- Adjustable height
- May be deployed with or without any R.F.Mote cooling fan option
- Durable black textured powder coated finish

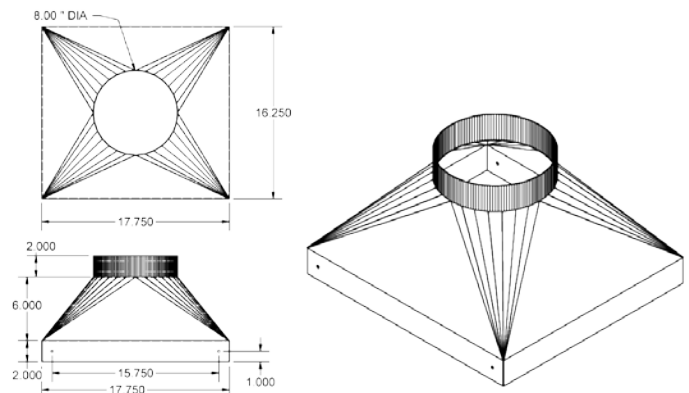
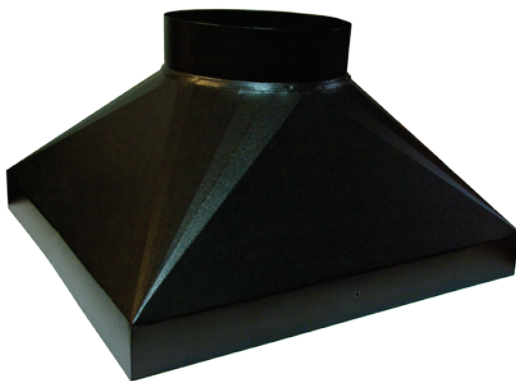


FITS WITH OUR...	PART NUMBER
<ul style="list-style-type: none"> <li>• RFM SERIES CABINETS</li> <li>• RFM FORTRESS CABINETS</li> </ul>	RFM-EXFAN-DUCT

## EXHAUST DUCT: SQUARE TO ROUND TRANSITION

Features:

- Prevents exhaust air from circulating over the top of the cabinet
- Prevents warm and cold air mixing by isolating the hot air from the cabinet to the return air plenum
- Mounts on top of cabinet
- Square to round transition design
- May be deployed with or without any R.F.Mote cooling fan option
- Use with 8" diameter spiral or flex duct
- Durable black textured powder coated finish



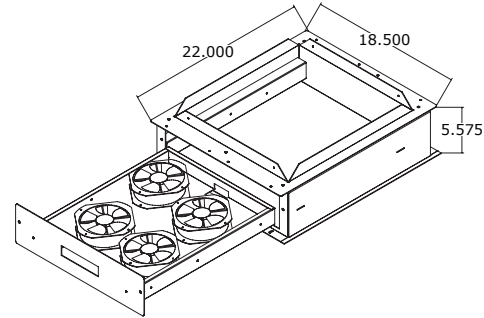
FITS WITH OUR...	PART NUMBER
<ul style="list-style-type: none"> <li>• RFM SERIES CABINETS</li> <li>• RFM FORTRESS CABINETS</li> </ul>	RFM-EXFAN-DUCT-8

## EXHAUST FANS: HIGH VOLUME EXHAUST UNIT

Features:



- High volume exhaust removes warm air from cabinet
- 2-Fan or 4-Fan deployment
- Mounts on top of cabinet
- May be deployed with or without any R.F.Mote cooling fan option
- Durable black textured powder coated finish
- Fan tray slides out for easy service



FITS WITH ANY...	PART NUMBER	DESCRIPTION
<ul style="list-style-type: none"> <li>• RFM SERIES CABINETS</li> <li>• RFM FORTRESS CABINETS</li> </ul>	RFM-EXFAN-2-SO	HIGH VOLUME EXHAUST UNIT 840 CFM (ATTACHES TO TOP OF CABINET)
	RFM-EXFAN-4-SO	HIGH VOLUME EXHAUST UNIT 1680 CFM (ATTACHES TO TOP OF CABINET)

## EXHAUST FANS: COLD AIR DISTRIBUTION

Features:



- Directs cold air from under cabinet, up to the front of cabinet
- Mounts on bottom of cabinet
- Requires 4U space
- 2 Fans (@ 420CFM each unit)
- Durable black textured powder coated finish

FITS WITH ANY...	PART NUMBER	DESCRIPTION
<ul style="list-style-type: none"> <li>• RFM SERIES CABINETS</li> <li>• RFM FORTRESS CABINETS</li> </ul>	RFM-FT900	COLD AIR DISTRIBUTION UNIT 840 CFM (ATTACHES TO BOTTOM OF CABINET, REQUIRES 4U OF SPACE)

## AIRSTOP KITS for RFM SERIES CABINETS

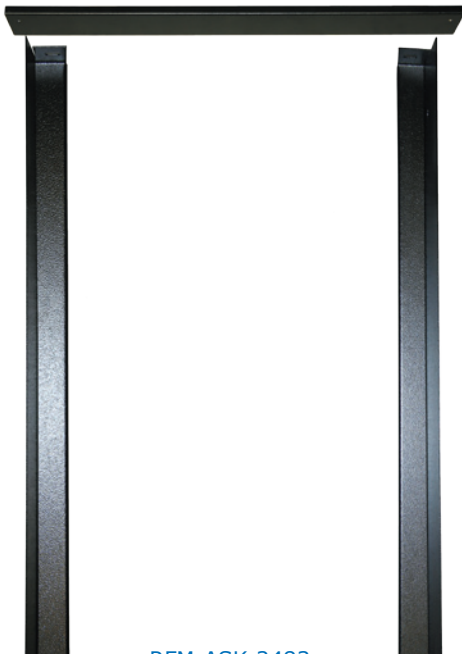
Airstop Brush Kit & Airstop Cover Plate also shown



RFM-ASK-3083

Also shown:

RFM-ASBK (Optional Brush Kit)  
and RFM-ASCP (Cover Plates)



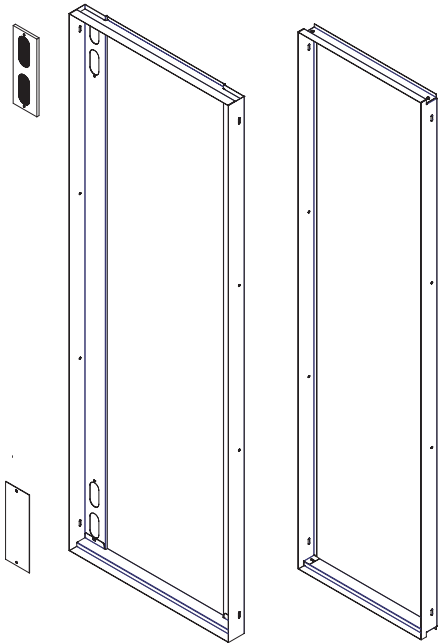
RFM-ASK-2483

### Features:

- Mounts on cabinet cross members
- When using airstop kits, Mounting angles must be positioned between 1.75" to 3.0" from the front of the cabinet
- Durable black textured powder coated finish

### Highlights:

- Brackets prevent air from circulating around installed mounting angles
- Prevents warm and cold air mixing within the cabinet which increases cooling efficiency
- 30" Wide cabinet version comes with cover plates; these can be replaced with optional brush kits (P/N# RFM-ASBK) which allow cables to be passed through from the front to the rear of the cabinet



RFM-ASK-3083

RFM-ASK-2483

PART NUMBER	FITS OUR...
RFM-ASK-3090	30"W x 90"H RFM SERIES CABINET
RFM-ASK-3083	30"W x 83"H RFM SERIES CABINET
RFM-ASK-2490	24"W x 90"H RFM SERIES CABINET
RFM-ASK-2483	24"W x 83"H RFM SERIES CABINET
OPTIONS:	
RFM-ASBK	RFM-ASK-30xx
RFM-ASCP	RFM-ASK-30xx

## AIRSTOP KIT for RFM FORTRESS SERIES CABINETS

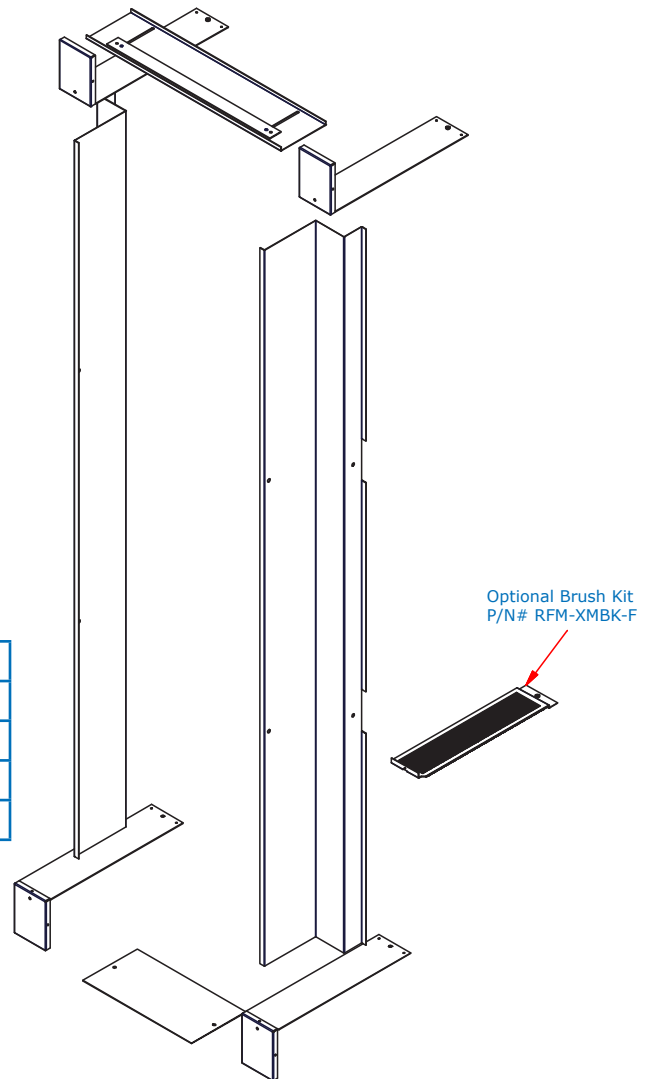


### Features:

- Block air passageways around mounting rails or behind cable managers
- Prevents warm and cold air mixing within the cabinet which increases cooling efficiency
- Kit comes with vertical brackets
- 4 Raceway brackets close off front to back raceways
- Vertical airstop mounts on cabinet cross member
- Durable black textured powder coated finish

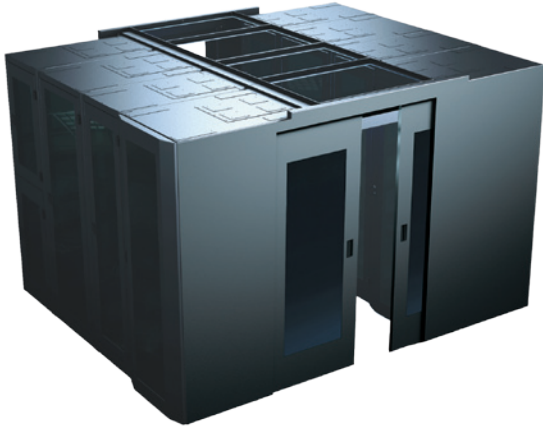
### Highlights:

- Top close off mounts on equipment rails (zero 'u' design)
- Top brackets close off space at top
- cover plates can be replaced with optional brush kits (P/N# RFM-XMBK-F) which allow cables to be passed through from the front to the rear of the cabinet



PART NUMBER	FITS OUR
RFM-ASK-FORT83	83" H RFM SERIES FORTRESS CABINET
RFM-ASK-FORT72	72" H RFM SERIES FORTRESS CABINET
OPTIONAL	
RFM-XMBK-F	BRUSH KIT FITS 72" & 83"H RFM-ASK

## AISLE CONTAINMENT

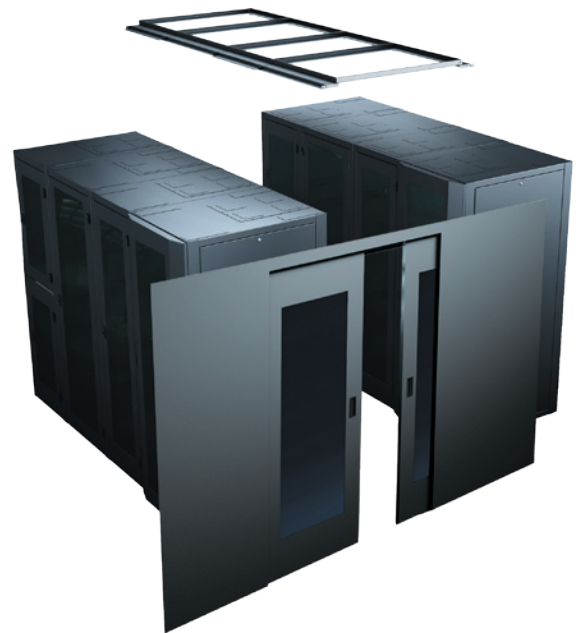


### Standard Features:

- Contain Hot or Cold aisle
- Prevent air mixing
- Block air escape routes
- Improve efficiency
- Fits ANY RFM Series or Fortress Series cabinets
- Modular design for future expansion
- Sliding doors, self closing
- Customizable solution for 3rd party cabinets
- Ceiling panels may be equipped with exhaust ducts, openings for HVAC, or fire suppression systems

## CEILING PANELS c/w CLEAR PLEXIGLASS

PART NUMBER	PART DESCRIPTION
RFM-HIC-CP-3048	48" Aisle: for 30" Wide RFM Series cabinets
RFM-HIC-CP-3036	36" Aisle: for 30" Wide RFM Series cabinets
RFM-HIC-CP-3048-F	48" Aisle: for 30" Wide Fortress Series cabinets
RFM-HIC-CP-3036-F	36" Aisle: for 30" Wide Fortress Series cabinets
RFM-HIC-CP-2448	48" Aisle: for 24" Wide RFM Series cabinets
RFM-HIC-CP-2436	36" Aisle: for 24" Wide RFM Series cabinets



## END OF ROW DOORS

PART NUMBER	PART DESCRIPTION	FITS WITH...
RFM-ERCD-DS	Dual sliding door	36" or 48" aisle

## FLOOR GROMMETS

### Features:

- Prevent air escaping around cable openings in floor
- Flush mount or split mount
- Durable aluminum construction

### Highlights:

- c/w nylon brush
- Easy installation in new applications or retrofit projects



Flush mount



Split mount

### Flush mount grommet

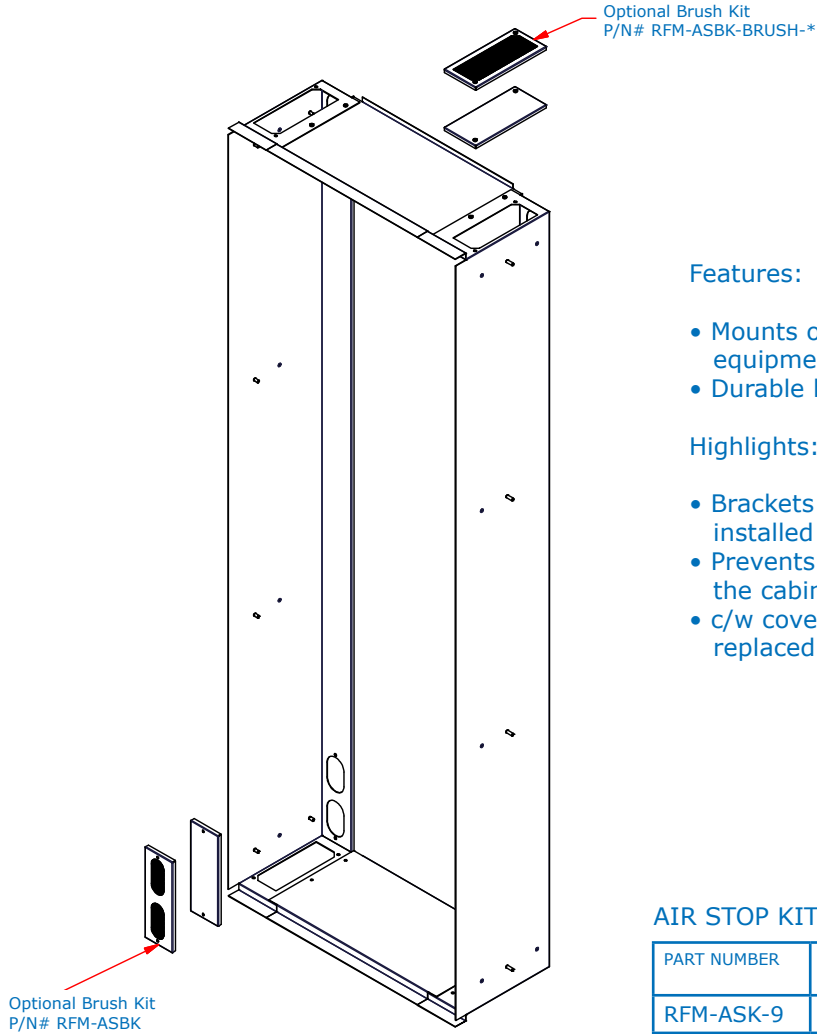
PART NUMBER	Width	Length
RFM-FGFM4X6	4"	6"
RFM-FGFM9X7	9"	7"
RFM-FGFM12X7	12"	7"

### Split mount grommet

PART NUMBER	Width	Length
RFM-FGSPL4X6	4"	6"
RFM-FGSPL9X7	9"	7"
RFM-FGSPL12x7	12"	7"

## AIRSTOP KITS for RFM SERIES 30 CABINETS

Equipped with Vertical Cable Managers at Front



### Features:

- Mounts on cabinet cross members (in front of equipment mounting angles)
- Durable black textured powder coated finish

### Highlights:

- Brackets prevent air from circulating around installed mounting angles and cable managers
- Prevents warm and cold air mixing within the cabinet which increases cooling efficiency
- c/w cover plates (8x) which can easily be replaced with optional Brush Kits

### AIR STOP KIT - FOR RFM SERIES 30 CABINETS

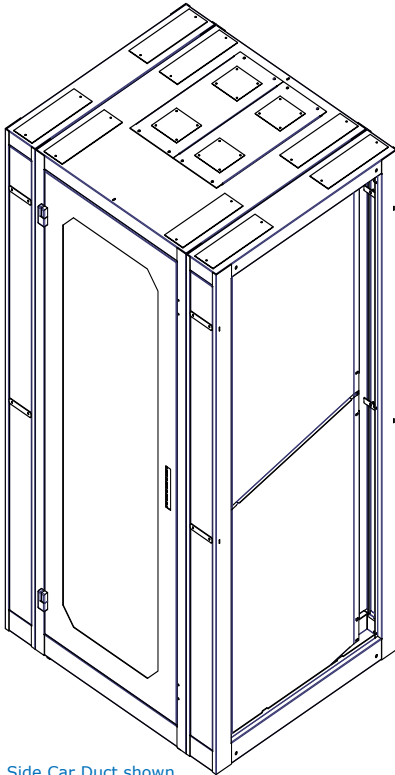
PART NUMBER	FITS RFM SERIES CABINET SIZE	FITS WITH RFM VCM P/N#
RFM-ASK-9	30.00"W x 83.00"H	RFM-983-VCM-A (cat.pg 1.5.3)
RFM-ASK-5	30.00"W x 83.00"H	RFM-583-VCM (cat.pg 1.5.3)
RFM-ASK-5	30.00"W x 83.00"H	RFM-583-VCM-FND (cat.pg 1.5.9)
RFM-ASK-7	30.00"W x 83.00"H	RFM-783-VCM-FND (cat.pg 1.5.9)

### OPTIONAL BRUSH KIT

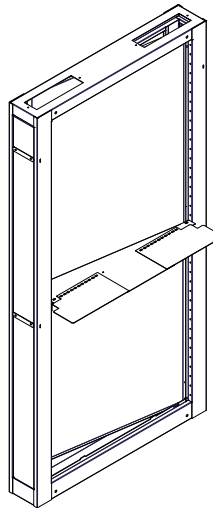
PART NUMBER	FITS WITH:
RFM-ASBK	RFM-ASK-x
RFM-ASBK-BRUSH-9	RFM-ASK-9
RFM-ASBK-BRUSH-5	RFM-ASK-5
RFM-ASBK-BRUSH-7	RFM-ASK-7



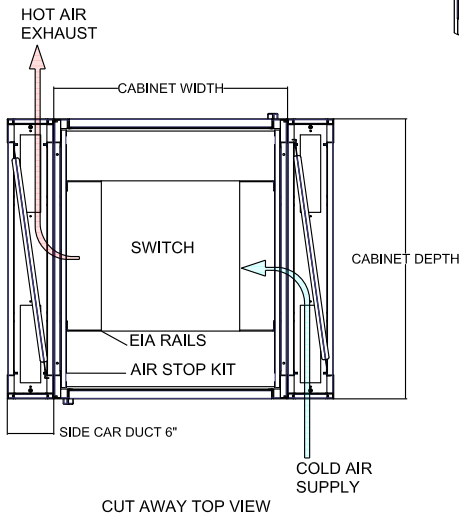
## SIDE CAR DUCT



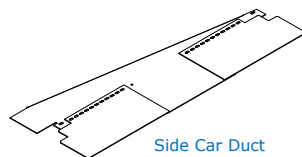
Side Car Duct shown installed on side of RFM Series Cabinet



Side Car Duct shown with Optional Deflector Shelf



CUT AWAY TOP VIEW



Side Car Duct Deflector Shelf

### SIDE CAR DUCT

PART NUMBER	FITS RFM SERIES CABINET SIZE	FITS WITH CABINET
RFM-3683-SCD	36.00"D x 83.00"H	RFM-303683 / RFM-243683
RFM-4283-SCD	42.00"D x 83.00"H	RFM-304283 / RFM-244283
RFM-4883-SCD	48.00"D x 83.00"H	RFM-304883 / RFM-244883

### SIDE CAR DUCT SIDE PANEL

PART NUMBER	FITS RFM SERIES CABINET SIZE	FITS ONTO P/N
RFM-3683-4-SCD	36.00"D x 83.00"H	RFM-3683-SCD
RFM-4283-4-SCD	42.00"D x 83.00"H	RFM-4283-SCD
RFM-4883-4-SCD	48.00"D x 83.00"H	RFM-4883-SCD

### Side Car Duct Features:

- 6" Width Duct designed for use with equipment that requires cooling and exhaust air flow from side to side
- Segregates hot exhaust from cold air supply
- When deployed in hot aisle/cold aisle environments the duct directs intake air to come from the front of the cabinet and exhaust out the rear of the cabinet
- When used with chimney cabinets rear perforated panels are replaced with solid ones. Intake air is directed from the front of the cabinet and exhaust is directed out the top of the cabinet
- Cable access openings provided in the top and base
- Heavy gauge steel
- All welded construction
- 2 Perforated front /rear panels standard
- Solid rear panels available for use with chimney cabinets
- Optional lockable lift off side panels
- c/w adjustable levelling feet
- Powder coated textured black finish
- Custom colours and sizes available on request
- When deployed in rows, 1 side duct serves as an intake for one cabinet and exhaust for the neighbouring cabinet

### SIDE CAR DUCT DEFLECTOR SHELF

PART NUMBER	FITS WITH SIDE CAR DUCT	FITS WITH CABINET
RFM-636-SCDS	RFM-3683-SCD	RFM-303683 / RFM-243683
RFM-642-SCDS	RFM-4283-SCD	RFM-304283 / RFM-244283
RFM-648-SCDS	RFM-4883-SCD	RFM-304883 / RFM-244883

Optional Deflector Shelf available for RFM Fortress Series Cabinets, add -F to part number. e.g. RFM-642-SCDS-F

### Deflector Shelf Features:

- Close off space between installed equipment and Side Car Duct
- Assists in blocking air escape routes

## AGILEAIR INTELLIGENT COOLING CHIMNEY DUCTS



Chimney Duct, Fan Chassis, Fan Cartridges, on top of Cabinet



Pressure Sensor



Controller Unit



Replacement Fan Cartridge

### KITS

PART NUMBER	DESCRIPTION
RFM-AACD-P	PASSIVE UNIT CHASSIS C/W BLANK PANELS
RFM-AACD-10	CHASSIS, CONTROLLER, PRESSURE SENSOR, AND 2 FAN CARTRIDGES FOR 10kW
RFM-AACD-20	CHASSIS, CONTROLLER, PRESSURE SENSOR, AND 2 FAN CARTRIDGES FOR 20kW
RFM-AACD-30	CHASSIS, CONTROLLER, PRESSURE SENSOR, AND 2 FAN CARTRIDGES FOR 30kW

### CHIMNEY DUCT

PART NUMBER	DESCRIPTION
RFM-AACD-CD-8	8" CHIMNEY DUCT
RFM-AACD-CD-12	12" CHIMNEY DUCT
RFM-AACD-CD-24	24" CHIMNEY DUCT
RFM-AACD-CD-48	48" CHIMNEY DUCT
RFM-AACD-CD-7X	EXPANDABLE CHIMNEY DUCT (0" ~ 7")
RFM-AACD-CD-13X	EXPANDABLE CHIMNEY DUCT (0" ~ 13")

### REPLACEMENT FAN CARTRIDGE

PART NUMBER	DESCRIPTION
RFM-RFC-10	REPLACEMENT FAN CARTRIDGE FOR 10kW
RFM-RFC-20	REPLACEMENT FAN CARTRIDGE FOR 20kW
RFM-RFC-30	REPLACEMENT FAN CARTRIDGE FOR 30kW

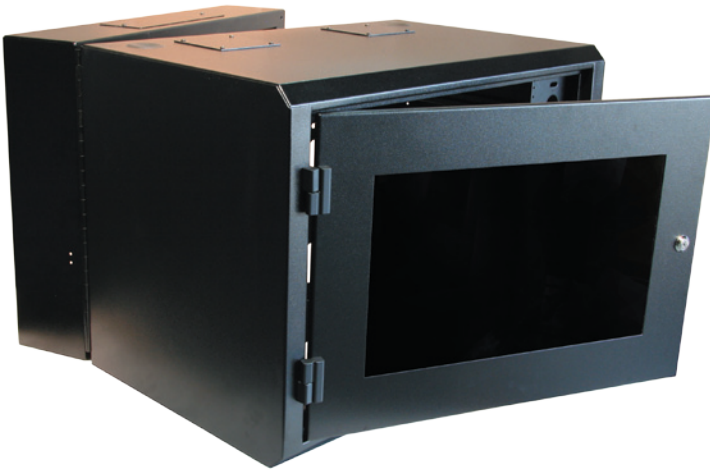
### CONTROL UNIT

PART NUMBER	DESCRIPTION
RFM-AAIC	INTELLIGENT CONTROL UNIT

### Features:

- Sophisticated temperature and pressure sensors control fan speeds and exhaust hot air through chimneys.
- Solutions for loads up to 30kW
- Eliminates hot air mixing, wrap around heating and hot spots
- Complete hot air separation enables highest CRAC/CRAH return temperatures. Maximize Delta T
- Suitable for slab or raised floor environments
- Allows for more densely populated cabinets
- Plug and play fan units make for easy installation
- Multiple units work together to share cabinet loads
- Operational redundancy increases as systems work in concert
- In the event of utility failure, heat continues to be exhausted by cooling unit connected to your UPS
- If a fan is shut down for maintenance or repair, the load transfers to others in the row
- System capacity automatically scales as loads are added or removed
- Automated load balancing eliminates micromanaging airflow requirements
- Automatic notification of system threshold breach via email or SNMP
- Environmental conditions reported automatically
- Embedded software allows for real time monitoring of heat load, temperature and alarm conditions for each unit
- User friendly dashboard for quick viewing of performance data
- Integrates with DCIM software

## 30" WIDE WALL MOUNT CABINETS



R. F. Mote Wall Mount Cabinets are available in various sizes and all c/w lockable, smoked acrylic front doors and one pair of adjustable 19" EIA mounting rails.

### Standard Features:

- Heavy gauge steel
- All welded construction
- Load capacity: 300LBS
- 30"(W) x 20"(D) footprint
- Provisions for fans and cable access
- Lockable smoked acrylic front door
- 1 Pair of mounting rails included. 19" EIA spacing, tapped #10-32
- Unit accommodates equipment up to 18" Deep (with extender, usable depth increases to 24" Deep)
- Open back style for quick access to installed equipment
- Units are hinged and are field reversible and pivot off the wall to allow easy access to the rear of the cabinet
- Optional extender bracket adds 6" to cabinet depth and c/w multiple cable access holes
- Durable textured powder coated finish
- Standard colour is all black
- Additional mounting rails available
- Perforated door optionally available upon request

### WALLMOUNT CABINET

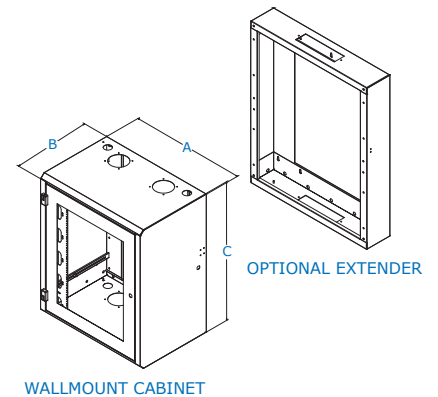
WMC PART #	A	B	C	#of U's
RFM-3022-WM-20	30.00	20.00	22.25	12U
RFM-3036-WM-20	30.00	20.00	36.25	20U
RFM-3048-WM-20	30.00	20.00	48.00	26U

### 6" CABINET EXTENDER

EXTENDER PART #		WALLMOUNT CABINET
RFM-3022-WM-6X	Fits with...	RFM-3022-WM-20
RFM-3036-WM-6X	Fits with...	RFM-3036-WM-20
RFM-3048-WM-6X	Fits with...	RFM-3048-WM-20

### MOUNTING RAILS

MOUNTING RAIL PART #		WALLMOUNT CABINET
RFM-3022-WM-MA	Fits with...	RFM-3022-WM-20
RFM-3036-WM-MA	Fits with...	RFM-3036-WM-20
RFM-3048-WM-MA	Fits with...	RFM-3048-WM-20



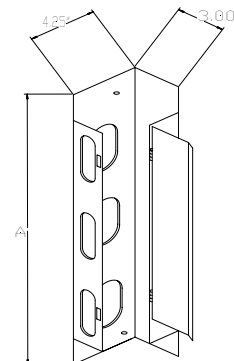
## VERTICAL CABLE MANAGER FOR WALL MOUNT CABINETS



### Features:

- Heavy gauge steel
- Mounts to front of 30" wide R. F. Mote Wall Mount Cabinet mounting angle
- Durable textured powder coated finish
- Standard colour is all black

PART NUMBER	A	Fits with...
RFM-322-VCM	21.00	RFM-3022-WM-20
RFM-336-VCM	35.00	RFM-3036-WM-20
RFM-348-VCM	47.00	RFM-3048-WM-20



## LOW PROFILE WALL MOUNT CABINETS

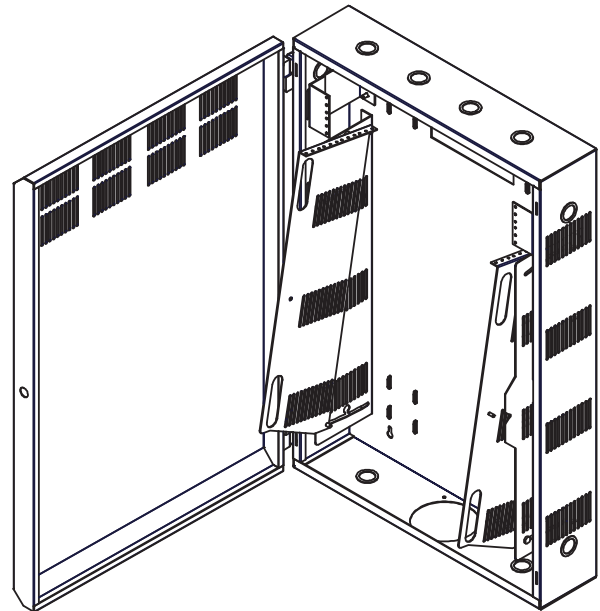


### Standard Features:

- Heavy gauge steel
- Low profile design and vertical racking, provides 26" depth
- 19" EIA standard
- Rack rails pivot out, from the top or from the bottom of the body, to allow easy access to equipment
- Cable access openings and multiple lacing points provided
- Provision in bottom for cooling fan
- Vented lockable door
- Multiple knockouts accommodate 1" And 1.25" Conduit (provided in top, bottom, and sides)
- Durable textured powder coated finish
- Standard colour is all black
- Custom colours and sizes available upon request

### Highlights:

- Optional 2u patch panel mounting brackets available. (Provides an additional 2u mounting)  
P/N# RFM-LP-2U-BRKT

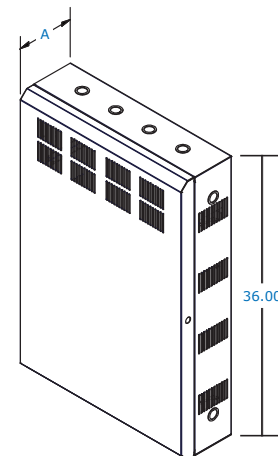
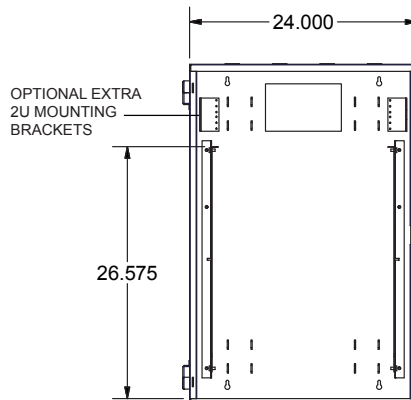


### LOW PROFILE WALLMOUNT CABINET

PART NUMBER	A	#of U's
RFM-2436-WM-LP-4U	7.50	4U
RFM-2436-WM-LP-6U	11.00	6U

### 2U PATCH PANEL MOUNTING BRACKET

PART NUMBER	#of U's	FITS WITH P/N
RFM-LP-2U-BRKT	2U	RFM-2436-WM-LP-4U RFM-2436-WM-LP-6U

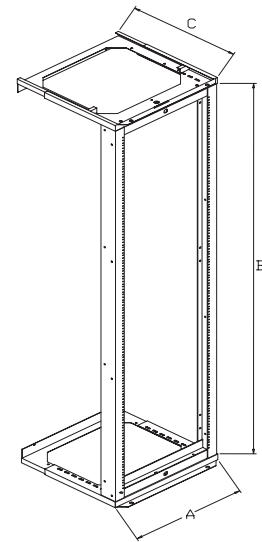


## SWING-OUT RACK: 44U & 38U



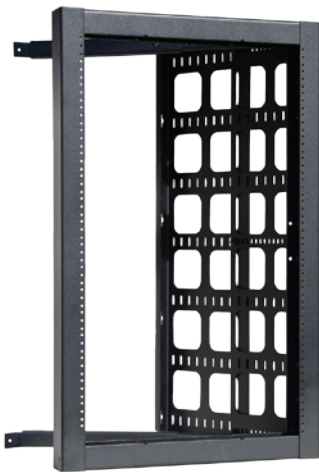
### Features:

- Heavy gauge steel
- All welded construction
- Stamped "U" markings
- Rack tapped #10-32 UNF to EIA Standard pattern
- Cage-nut style available
- 19" EIA equipment mounting
- Swings out for access to rear of installed equipment
- Vertical CMS option (see Page 4.1.5)
- Wet painted black to avoid clogged threads
- Adjustable depth: 15.00" To 27.00"
- Field reversible
- Top bolts to wall
- Base sits on floor



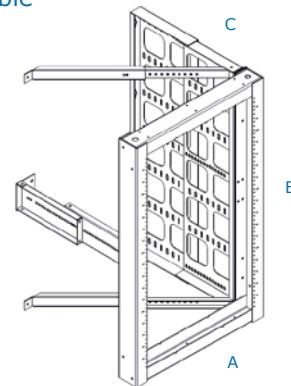
PART NUMBER	A	B	C (ADJUSTABLE)	# of U's
RFM-1944-RSO-ADJ	21.50	85.50	15.00 ~ 27.00	44U
RFM-1938-RSO-ADJ	21.50	75.00	15.00 ~ 27.00	38U

## WALL MOUNT SWING-OUT RACK: 18U



### Features:

- Heavy gauge steel
- Stamped "U" markings
- Rack tapped #10-32 UNF to EIA Standard pattern
- Swings out for access to rear
- 19" EIA equipment mounting
- Vertical CMS option (see Page 4.1.5)
- Wet painted black to avoid clogged threads
- Adjustable depth: 15.00" To 21.00"
- Field reversible



PART NUMBER	A	B	C (ADJUSTABLE)	# of U's
RFM-1918-RWS-ADJ	21.50	35.50	15.00 ~ 21.00	18U

## WALL MOUNT FIXED RACK: 18U



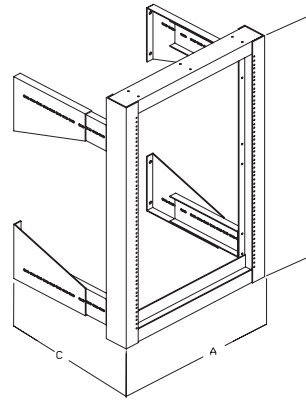
### Features:

- Heavy gauge steel
- Stamped "U" markings
- Rack tapped #10-32 UNF to EIA Standard pattern
- 19" EIA equipment mounting
- Vertical CMS option (see page 4.1.5)
- Wet painted black to avoid clogged threads

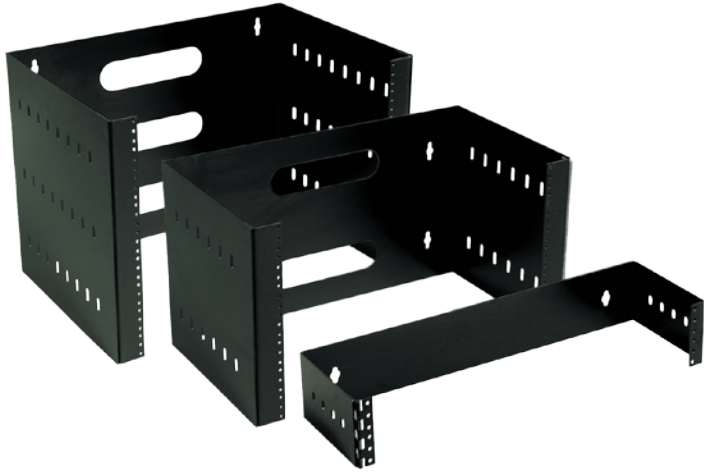
### Highlights:

- Adjustable depth: 14.00" To 21.00"

PART NUMBER	A	B	C (ADJUSTABLE)	# of U's
RFM-1918-RWF-ADJ	21.50	35.50	14.00 ~ 21.00	18U



## WALL MOUNT BRACKETS



### Features:

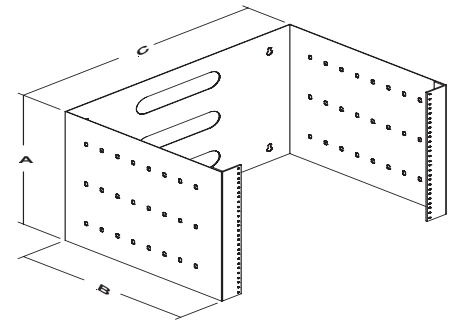
- Heavy gauge steel
- Rails are tapped #10-32 to EIA standard
- Standard 19" mounting
- Cable tie slots provided in side walls
- Durable textured powder coated finish
- Rails are wet painted to avoid clogged threads

### Highlights:

- Access slots provided in rear face

	PART NUMBER	A	B	C	# of U's
HINGED	RFM-1902-HWMB	3.50	6.00	19.75	2U
HINGED	RFM-1906-HWMB*	10.50	9.00 ~ 15.00	21.50	6U
HINGED	RFM-1909-HWMB*	15.75	9.00 ~ 15.00	21.50	9U
HINGED	RFM-1911-HWMB-22*	19.25	16.00 ~ 22.00	21.50	11U
NON-HINGED	RFM-1904-WMB	7.00	6.00	21.50	4U
NON-HINGED	RFM-1906-WMB*	10.50	9.00 ~ 15.00	21.50	6U
NON-HINGED	RFM-1909-WMB*	15.75	9.00 ~ 15.00	21.50	9U
NON-HINGED	RFM-1911-WMB-22*	19.25	16.00 ~ 22.00	21.50	11U

\* Adjustable depth



## WALL OR CEILING MOUNT BRACKETS



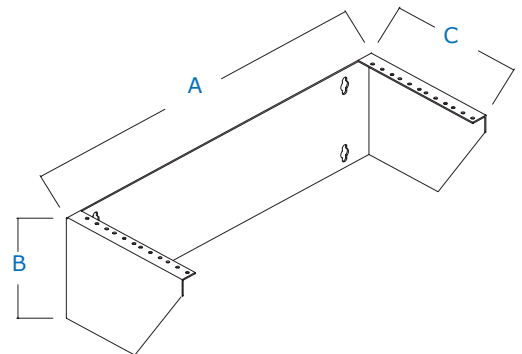
### Features:

- Heavy gauge steel
- Mounting holes tapped #10-32 to EIA standard
- Standard 19" mounting

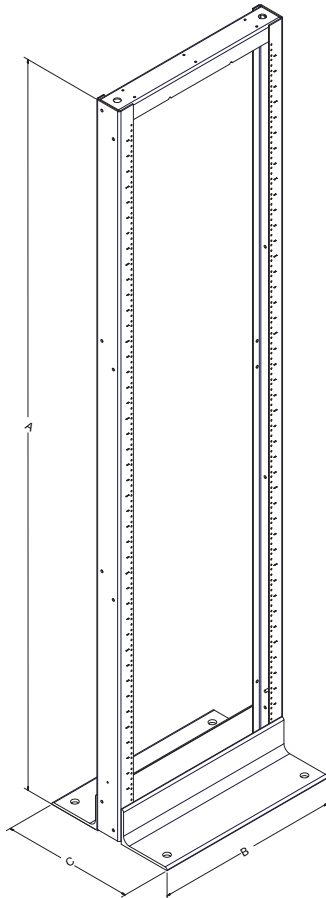
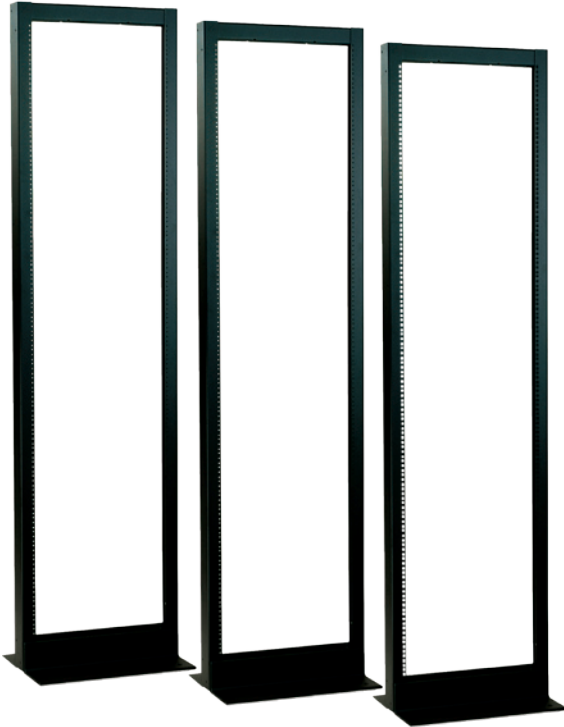
### Highlights:

- Mounts to ceiling or wall

PART NUMBER	A	B	C	# of U's
RFM-CMPB-4U-12	19.50	6.00	11.00	4U
RFM-CMPB-4U-7	19.50	6.00	7.50	4U
RFM-CMPB-2U-4	19.50	6.00	4.00	2U



## TWO POST RACK



### Features:

- 11 gauge steel frame
- Structural steel floor angles, 5/16" thick, c/w holes to bolt to floor
- Various heights available: 24U / 38U / 44U / 48U
- Stamped 'U' markings
- 19", 23" and 24" mounting available
- Load capacity : 2000 lbs
- c/w 1 integrated ground stud 1/4-20 thread x 3/4" length
- c/w (2x) 0.750" DIA holes in top
- All welded construction

### Highlights:

- Tapped Rack: Holes tapped #10-32 UNF to EIA standard
- Wet painted black to avoid clogged threads
- Cage-Nut Rack: 0.375" X 0.375" Square holes for cage nuts and server rails
- Optionally available as bolt-together units
- Vertical CMS option (see Pages 4.1.5 & 4.1.6)
- Optional heavy duty kits increase footprint to 36"
- Custom sizes available on request

Tapped #10-32					
	PART NUMBER	A	B	C	# of U's
19" EIA MOUNT	RFM-1924-RB	48.00	21.50	15.00	24U
	RFM-1938-RB	72.50	21.50	15.00	38U
	RFM-1944-RB	83.00	21.50	15.00	44U
	RFM-1948-RB	90.00	21.50	15.00	48U
23" EIA MOUNT	RFM-2324-RB	48.00	25.50	15.00	24U
	RFM-2338-RB	72.50	25.50	15.00	38U
	RFM-2344-RB	83.00	25.50	15.00	44U
	RFM-2348-RB	90.00	25.50	15.00	48U

Cage nut style					
	PART NUMBER	A	B	C	# of U's
19" EIA MOUNT	RFM-1924-RB-SQ	48.00	21.50	15.00	24U
	RFM-1938-RB-SQ	72.50	21.50	15.00	38U
	RFM-1944-RB-SQ	83.00	21.50	15.00	44U
	RFM-1948-RB-SQ	90.00	21.50	15.00	48U

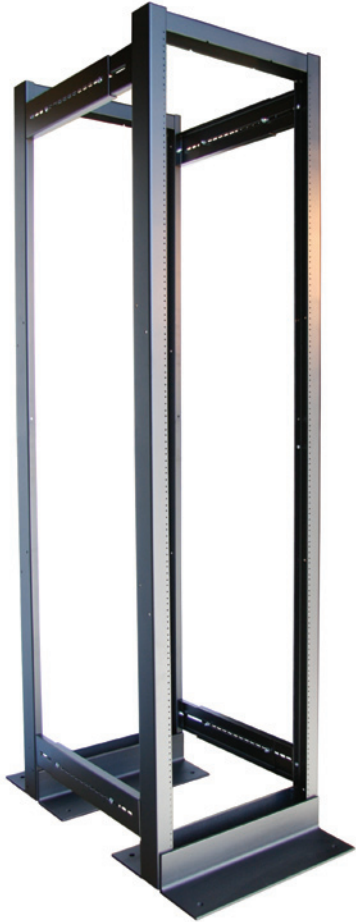
Hardware package included (qty 24 cage-nuts and screws)

Tapped both sides					
	PART NUMBER	A	B	C	# of U's
19" EIA MOUNT	RFM-1944-RB-TBS	83.00	21.50	15.00	44U
	RFM-1948-RB-TBS	90.00	21.50	15.00	48U
23" EIA MOUNT	RFM-2344-RB-TBS	83.00	25.50	15.00	44U

Both front and back of rack tapped #10-32



## FOUR POST RACK KIT



### Features:

Bracket kit converts two 2 post racks into one 4 post assembly.

Designed for use where the security of a cabinet is not required or in high density applications where the volume of cabling requires more cable management than what can be accommodated inside a cabinet.

With a load capacity of 2000 lbs, the four post rack provides the stability of a cabinet while maintaining the accessibility of an open rack. The unit is made up of 2 two post racks and a bracket set which joins the racks together. Brackets provide adjustable depth of 25 1/2" to 42" rail to rail.

### Highlights:

Modular overhead troughing is available to run cables across the top of the racks and from the front rack to the back and may be used to span various racks and cable managers. Units may be added at anytime after the initial installation with ease.

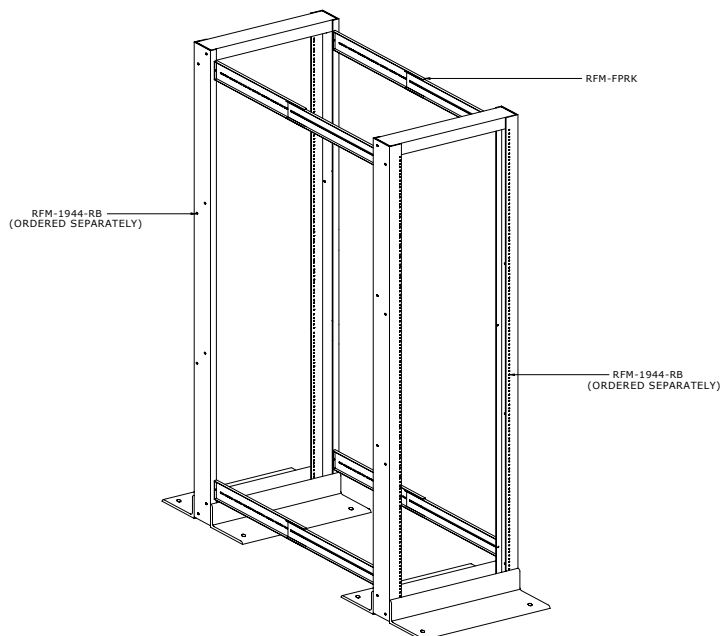
All R.F.Mote vertical and horizontal cable management may be used with this unit as well as all rack mount shelving (*2-point and 4-point*), power bars, and rack doors.

Additionally, the four post brackets act as depth members and facilitate the use of all R.F.Mote 83" height cabinet vertical cable management and powerbars. Units may also be equipped with our rack door for added security and appearance.

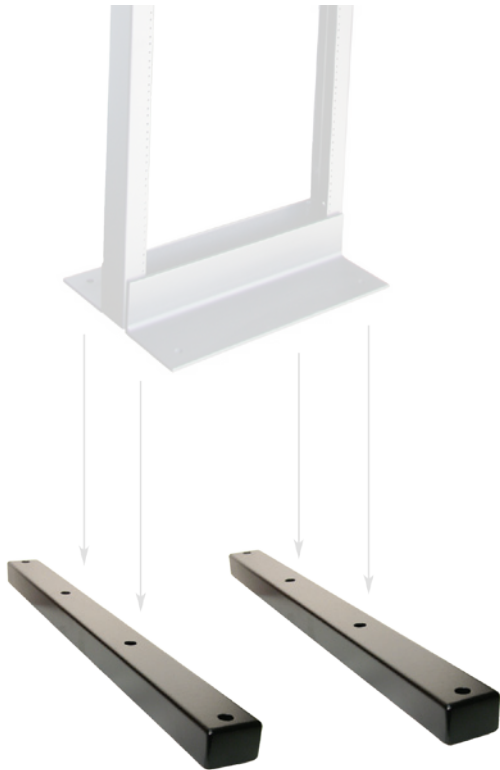
Modular design allows the end user to convert a currently installed two post rack to a four post rack.

PART NUMBER	Adj. Depth
RFM-FPRK	25.50 ~ 42.00

For two post racks, see page 4.1.1



## HEAVY DUTY RACK KIT

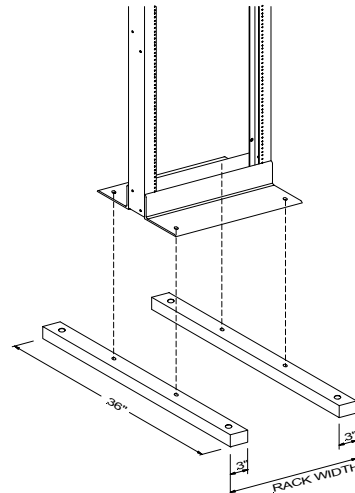


### Features:

- Increase rack footprint for added stability when rack is not bolted to floor, or is on casters
- Heavy gauge steel frame
- Bolt-on stabilizing bars
- Adjustable feet
- Fits all R.F.Mote racks
- Durable black textured powder Coated finish

### Highlights:

- Caster sets available
- Large footprint for stability



PART NUMBER	A	B
RFM-RHD-KIT	36.00	3.00

For two post racks, see page 4.1.1

## RACK DOOR

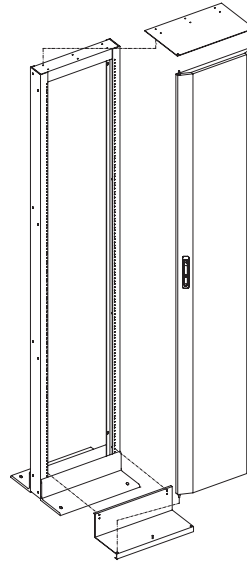


### Features:

- Provides added security by restricting access to equipment and patch cords
- Prevents accidental removal of patch cords
- Heavy gauge steel
- All welded construction
- Unit designed for use with all R.F.Mote 19" x 44U racks
- Solid or perforated door available
- Custom sizes available on request
- Durable black textured powder coated finish

### Highlights:

- Adds a clean finished look to an installation
- Field reversible door c/w lockable 2-Point handle
- Electronic and Combination lock options available



FITS ALL OUR..	PART NUMBER	DESCRIPTION	# of U's
19" x 44U RACKS	RFM-RD-19	SOLID	44U
19" x 44U RACKS	RFM-RD-19-P	PERFORATED	44U

## RACK VERTICAL CABLE MANAGERS

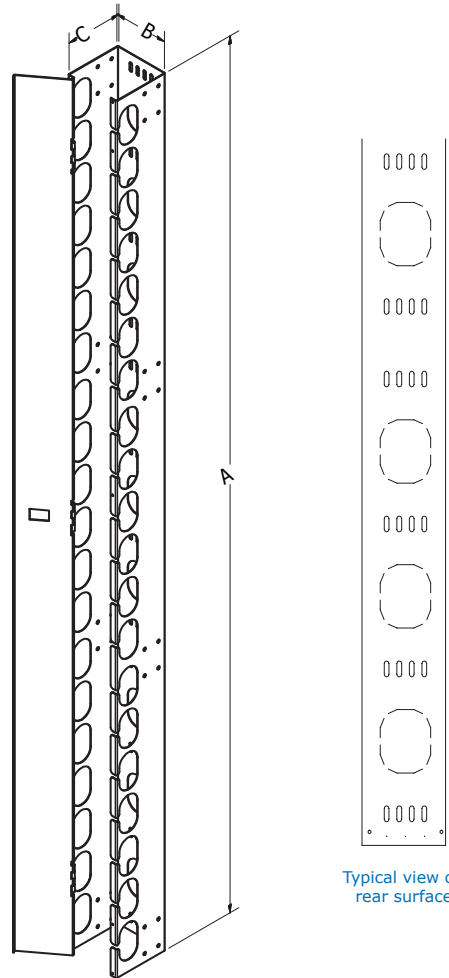


### Features:

- Heavy gauge steel
- Door held shut with slide latch
- Removable cable retainer brackets
- Durable textured powder coated finish
- Standard colour is all black
- D-Rings may be added (see page 6.2.1) to manage cable bundles outside manager

### Highlights:

- Fingered cutouts for easy cable adds and moves
- Custom colours available on request



Vertical cable manager: 5" and 8" wide, various heights					
FITS OUR...	PART NUMBER	A	B	C	# of U's
24U RACKS	RFM-RVCM-B-48	48.00	5.15	5.43	24U
38U RACKS	RFM-RVCM-B-72	72.00	5.15	5.43	38U
44U RACKS	RFM-RVCM-B	82.50	5.15	5.43	44U
44U RACKS	RFM-RVCMG-B	82.50	8.15	5.43	44U

Vertical cable manager: 10" and 12" wide, 44U height					
FITS OUR...	PART NUMBER	A	B	C	# of U's
44U RACKS	RFM-RVCM-B-10	82.50	10.00	5.43	44U
44U RACKS	RFM-RVCM-B-12	82.50	12.00	5.43	44U

Vertical cable manager: 8" and 10" wide, 48U height					
FITS OUR...	PART NUMBER	A	B	C	# of U's
48U RACKS	RFM-RVCM8-48	89.50	8.00	5.43	48U
48U RACKS	RFM-RVCM10-48	89.50	10.00	5.43	48U

Wall mount rack vertical cable manager, 18U height					
FITS OUR...	PART NUMBER	A	B	C	# of U's
18U RACKS (WALL MOUNT)	RFM-RVCM-B-RWF	35.00	5.15	5.43	18U

## HIGH DENSITY VERTICAL CABLE MANAGERS FOR RACKS: Finger Style 1U & 2U spacing



RFM-FMS-8



RFM-RVCM-HD8

### Features:

- Heavy gauge steel
- Designed for use with all R.F.Mote 44U server racks
- Large footprint allows for large volume of cabling
- High density cable managers may be installed back to back and ganged side by side
- The fingers' radius of curvature ensure gentle bend radii and 3/4" thickness provides extra support for cables
- Durable black textured powder coated finish
- D-Rings, Cable spools, or Stand off brackets may be added (see page 6.2.1) to manage cable bundles outside manager

### Highlights:

#### RFM-FMS series:

- Fingers spaced every 1U
- Improved hinge and latch design
- Manager is open at front allowing easy removal or replacement of cables after initial installation
- Door opens from either side, is easily removed for accessibility, and latches closed

#### RFM-RVCM-HD series:

- Fingers spaced every 2U
- Slots cut in front portion of the manager allow for easy removal of cables after installation
- Door is easily removed and latches closed

#### RFM-FMS series

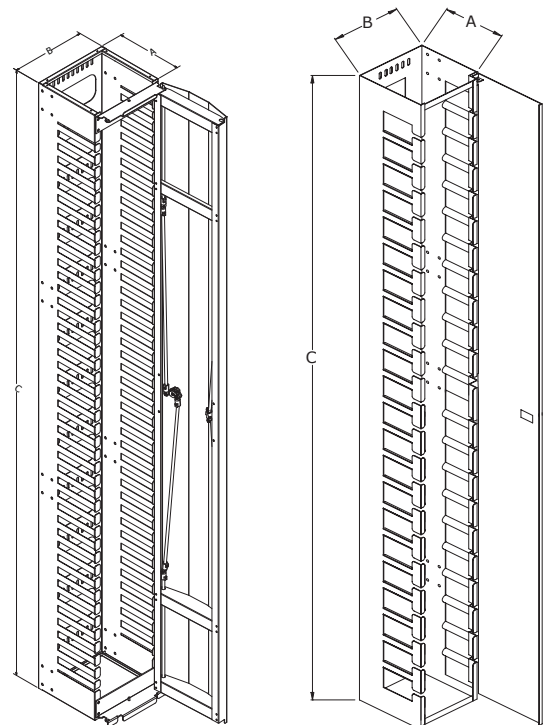
High density cable manager - Fingered 1U spacing

PART NUMBER	A	B	C	# of U's
RFM-FMS-6	8.88	6.00	82.50	44U
RFM-FMS-8	8.88	8.00	82.50	44U
RFM-FMS-10	8.88	10.00	82.50	44U
RFM-FMS-12	8.88	12.00	82.50	44U
RFM-FMS-15	8.88	15.00	82.50	44U
RFM-FMS-18	8.88	18.00	82.50	44U

#### RFM-RVCM-HD series

High density cable manager - Fingered 2U spacing

PART NUMBER	A	B	C	# of U's
RFM-RVCM-HD8	8.00	8.00	82.50	44U
RFM-RVCM-HD10	8.00	10.00	82.50	44U



RFM-FMS series

RFM-RVCM-HD series

## OVERHEAD HORIZONTAL CABLE TROUGH FOR RACKS



Horizontal cable trough  
(trough, joiners, and end cap)



Horizontal cable trough - high density  
(trough, joiners, and end cap)

### Features:

- Heavy gauge steel
- Manage cables across top of rack
- Modular design for easy moves and adds
- Durable textured powder coated finish

### Highlights:

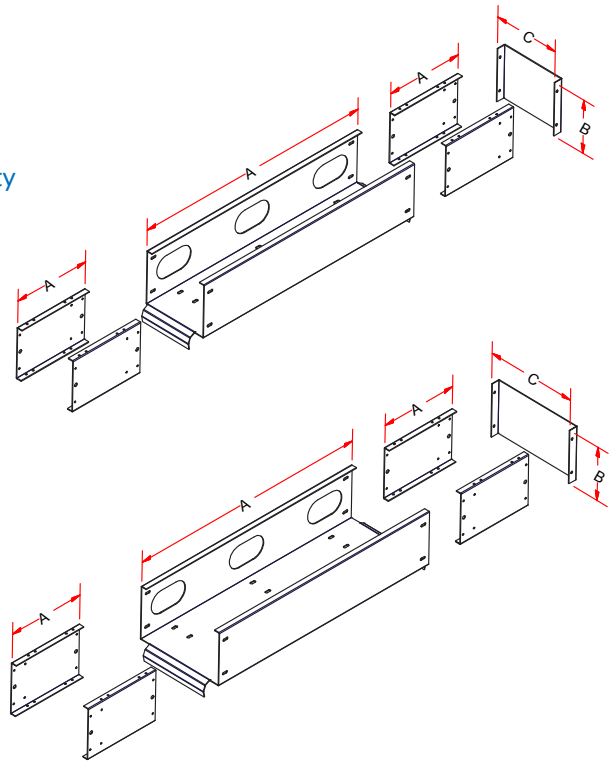
- Easy to assemble and install
- Trough spans rack; joiners span vertical cable managers and join troughs. End caps finish the end of row
- Waterfall design on ends of troughs support cables as they transition into vertical CMS

### Horizontal cable trough

PART DESCRIPTION	PART NUMBER	A	B	C
HCT FOR 19" EIA RACKS	RFM-119-HCT	21.50	4.75	5.88
HCT FOR 23" EIA RACKS	RFM-123-HCT	25.50	4.75	5.88
END CAP FOR 5" TROUGH*	RFM-HCT5E	0.75	4.75	5.88
JOINER FOR END CAP	RFM-HCTJ-0	1.625	4.50	n/a
SPANS 5" VERT. CMS	RFM-HCTJ-5	6.90	4.50	n/a
SPANS 8" VERT. CMS	RFM-HCTJ-8	9.90	4.50	n/a
SPANS 10" VERT. CMS	RFM-HCTJ-10	11.75	4.50	n/a

### Horizontal cable trough - high density

PART DESCRIPTION	PART NUMBER	A	B	C
HCT FOR 19" EIA RACKS	RFM-119-HCT-8	21.50	4.75	7.88
END CAP FOR 8" TROUGH*	RFM-HCT8E	ADJ.	4.75	7.63
JOINER FOR END CAP	RFM-HCTJ-0	1.625	4.50	n/a
SPANS 8" VERT. CMS	RFM-HCTJ-8	9.90	4.50	n/a
SPANS 10" VERT. CMS	RFM-HCTJ-10	11.75	4.50	n/a
SPANS 12" VERT. CMS	RFM-HCTJ-12	13.75	4.50	n/a
SPANS 15" VERT. CMS	RFM-HCTJ-15	16.75	4.50	n/a
SPANS 18" VERT. CMS	RFM-HCTJ-18	19.75	4.50	n/a



\*Note: HCT End Cap (p/n RFM-HCTxE) req's Joiner (p/n RFM-HCTJ-xx). Proper joiner size selection depends on depth of cable manager installed.

## HORIZONTAL CABLE TROUGH: FRONT TO BACK



### Features:

- Heavy gauge steel
- Designed for use with R.F.Mote Four Post Rack
- Manages cables from front rack vertical cable manager to rear rack vertical cable manager
- Modular design
- Attaches to the vertical cable manager and is adjustable from 18" to 34" Length
- Durable textured powder coated finish

### Highlights:

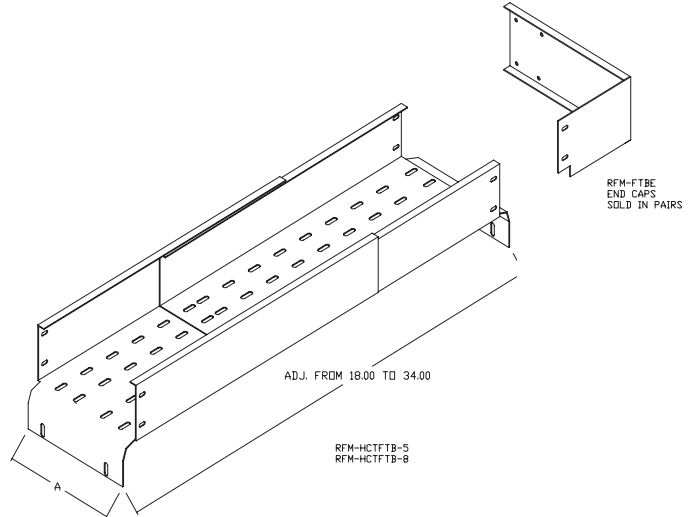
- Easy to assemble and install
- Waterfall design on ends of troughs support cables as they transition into vertical CMS

### Horizontal cable trough - front to back

FITS ALL OUR	PART NUMBER	A
5" WIDE CMS	RFM-HCTFTB-5	5.00
8" WIDE CMS	RFM-HCTFTB-8	8.00

### End cap for RFM-HCTFTB-x

FITS ALL OUR	PART NUMBER
RFM-HCTFTB-5	RFM-FTBE-5/PR
RFM-HCTFTB-8	RFM-FTBE-8/PR



## RACK SHELF: 2 POINT RACK MOUNTING Front mount, Centre mount, and Retractable / Sliding



Front mount  
(100LB load capacity)



Centre mount, double-sided  
(200LB load capacity)



Retractable / sliding  
(100LB load capacity)

### Features:

- Heavy gauge steel
- 19" Rack mount shelf fits RFM Series Cabinets and Racks
- 2-point rack mounting
- Perforated for ventilation, mounting servers, cable ties, and accessories
- Durable textured powder coated finish
- Standard colour is all black

### Highlights:

- All -RRS series shelves feature heavy duty full extension drawer slides
- All -RRS series shelves feature return bends for added strength

Front mount - fixed series - 100LB capacity					
	PART NUMBER	A	B	C	# of U's
19" EIA MOUNT	RFM-1915-RFS	17.50	15.00	3.50	2U
	RFM-1921-RFS	17.50	21.00	3.50	2U
	RFM-1912-RFS	17.50	12.00	3.50	2U
	RFM-1909-RFS	17.50	9.00	3.50	2U

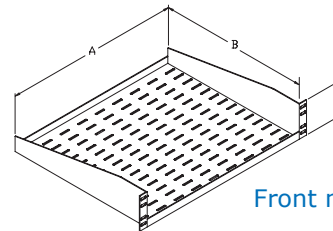
Note: 23" mount available on request

Centre mount - fixed series - 200LB capacity					
	PART NUMBER	A	B	C	# of U's
19" EIA MOUNT	RFM-1920-DRFS	17.50	20.00	8.50	2U
	RFM-1928-DRFS	17.50	28.00	12.50	2U

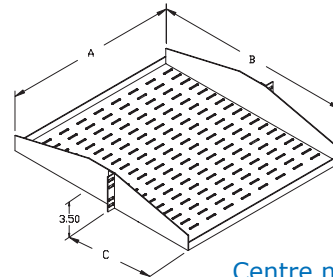
Note: 23" mount available on request

Front mount - retractable series - 100LB capacity					
	PART NUMBER	A	B	# of U's	
19" MOUNT	RFM-1920-RRS	16.50	20.00	2U	

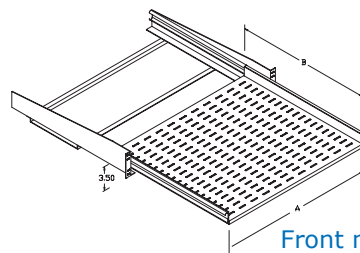
Note: 23" mount available on request



Front mount - fixed



Centre mount, double sided



Front mount, retractable



## RACK SHELF: 2 POINT RACK MOUNTING

### Retractable w/keyboard, Retractable w/pivoting keyboard, and Folding keyboard

**Features:**

- Heavy gauge steel
- 2-point rack mounting
- Return bends for strength
- Perforated for ventilation, mounting servers, cable ties, and accessories
- Durable textured powder coated finish
- Standard colour is all black

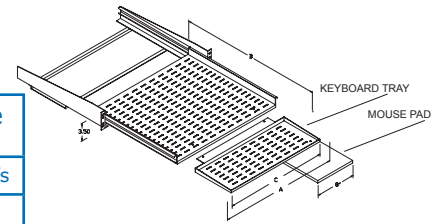
**Highlights:**

- All retractable shelves feature heavy duty full extension drawer slides



Retractable with keyboard shelf & mouse pad surface  
(100LB load capacity)

	PART #	A	B	C	# of U's
19" EIA MOUNT	RFM-1928-RKS	16.50	28.50	20.38	2U

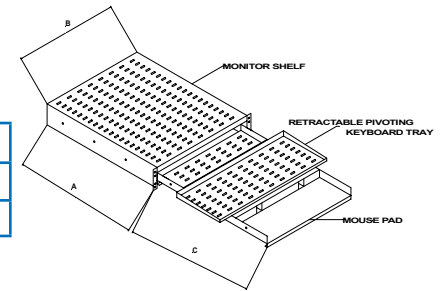


Retractable with keyboard shelf & pivoting mouse pad surface



Retractable with pivoting keyboard shelf

	PART #	A	B	C	# of U's
19" EIA MOUNT	RFM-1922-RPKS	22.00	19.00	22.00	3U

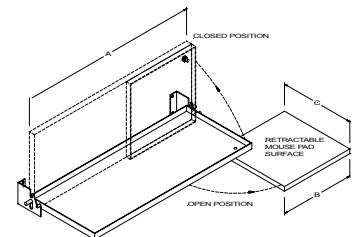


Retractable with pivoting keyboard shelf



Folding keyboard tray & mouse pad surface

	PART #	A	B	C
19" EIA MOUNT	RFM-FKBA-19	19.25	8.00	8.00

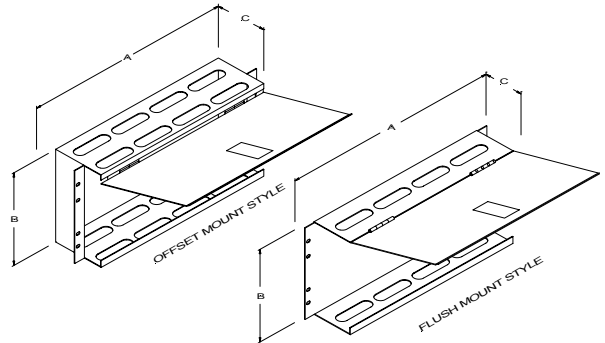


Fold-up keyboard shelf & pivoting mouse pad surface

## HORIZONTAL CABLE MANAGER



- Heavy gauge steel
- Door latches closed
- Durable black textured powder coated finish
- Custom sizes available on request



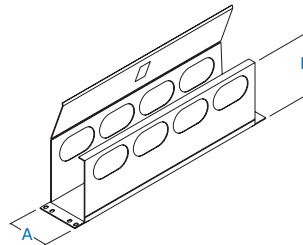
19" EIA Mounting					
	PART NUMBER	A	B	C	# of U's
FLUSH	RFM-191D-HCM	19.00	1.75	2.40	1U
FLUSH	RFM-192D-HCM-TD	19.00	3.50	2.40	2U
FLUSH	RFM-194D-HCM	19.00	7.00	2.40	4U
OFFSET	RFM-195D-HCM	19.00	8.63	4.75	5U

## HORIZONTAL CABLE MANAGER: EXTRA DEEP



- Heavy gauge steel
- Door latches closed
- Designed for use with patch cords with extra long boots
- Durable black textured powder coated finish

19" EIA Mounting			
PART NUMBER	A	B	# of U's
RFM-191D-HCM-D	1.75	5.5	1U
RFM-192D-HCM-D	3.50	5.5	2U
RFM-195D-HCM-D	8.75	5.5	5U

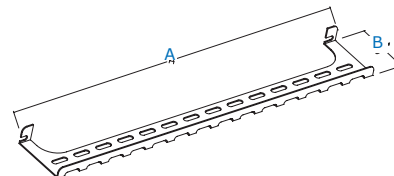


## HORIZONTAL CABLE MANAGER: ZERO U

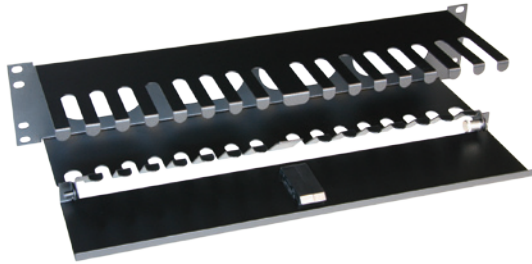


- Zero u horizontal cable manager takes up no rack space, bolts to patch panel or powerbar, etc.
- Provisions for cable ties
- Durable black textured powder coated finish

PART NUMBER	A	B
RFM-0UHCM-19	19" EIA	3.00
RFM-0UHCM-19-5	19" EIA	5.00



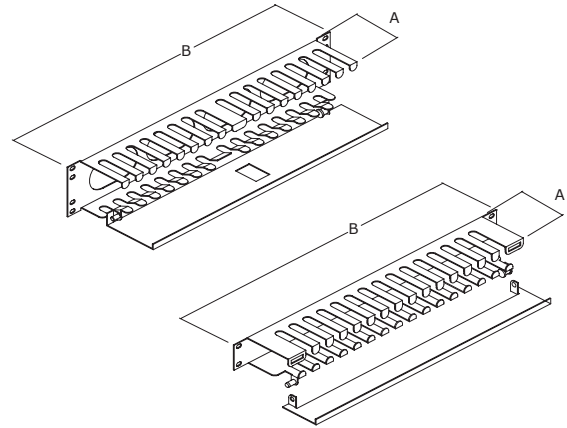
## HORIZONTAL CABLE MANAGER FINGER STYLE



Features:

- Heavy gauge steel
- Removeable door for ease of cable installation and removal
- Door latches closed
- Durable black textured powder coated finish

PART NUMBER	A	B	# of U's
RFM-191D-HCM-F	3.00	19.00	1U
RFM-192D-HCM-F	3.00	19.00	2U
RFM-191D-HCM-FD	5.50	19.00	1U
RFM-192D-HCM-FD	5.50	19.00	2U
RFM-194D-HCM-FD	5.50	19.00	4U



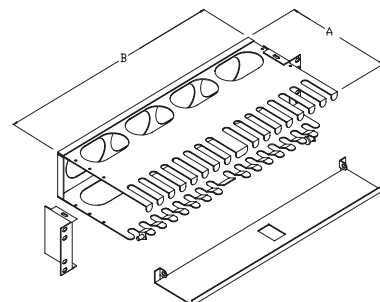
## HORIZONTAL CABLE MANAGER FINGER STYLE: HIGH DENSITY ADJUSTABLE



Features:

- Heavy gauge steel
- Removeable door for ease of cable installation and removal
- Adjustable mounting brackets allow the unit to be installed with an offset of 3", 5.5", or 7.5" in front of the rack
- Door latches closed
- Designed for use with patch cords with extra long boots
- Durable black textured powder coated finish

PART NUMBER	A	B	# of U's
RFM-192D-HCM-FHD	8.125	19"EIA	2U



## POWER BARS: VERTICAL AND HORIZONTAL

### Horizontal model



Front facing view



Rear facing view



Vertical model

### Features:

- UL approved
- Standard cord length is 15' (4.57M)
- Both Vertical and Horizontal models
- 15A and 20A available
- 19" EIA mount for horizontal models
- Standard colour is black

### Horizontal model

PART / MODEL NUMBER	RATED	MOUNT POSITION / SIZE	# OF OUTLETS / TYPE	PLUG	TYPE	SWITCHED
RFM-19-PBH-8	15A	HORIZONTAL / 19"W	8 OUTLETS (2-FR, 6-REAR) / 5-15R	STRAIGHT BLADE	5-15P	NO
RFM-19-PBHT	15A	HORIZONTAL / 19"W	6 OUTLETS / 5-15R	TWIST-LOCK	5-15P	YES
RFM-19-PBH-20A	20A	HORIZONTAL / 19"W	6 OUTLETS / 5-20R	STRAIGHT BLADE	5-20P	NO
RFM-19-PBHT-20A	20A	HORIZONTAL / 19"W	6 OUTLETS / 5-20R	TWIST-LOCK	L5-20P	NO

### Vertical model

PART / MODEL NUMBER	RATED	MOUNT POSITION / SIZE	# OF OUTLETS / TYPE	PLUG	TYPE	SWITCHED	WIDTH	LENGTH	DEPTH
RFM-48-PBV-18	15A	VERTICAL / 48"H	18 OUTLETS / 5-15R	STRAIGHT BLADE	5-15P	NO	1.6	48	1.5
RFM-52-PBVT	15A	VERTICAL / 52"H	8 OUTLETS / 5-15R	TWIST-LOCK	L5-15P	NO	1.6	48	1.149
RFM-62-PBV-24	15A	VERTICAL / 62"H	24 OUTLETS / 5-15R	STRAIGHT BLADE	5-15P	NO	1.6	62	1.5
RFM-76-PBVT	15A	VERTICAL / 76"H	12 OUTLETS / 5-15R	TWIST-LOCK	L5-15P	NO	1.6	77.5	1.149
RFM-52-PBV-20A	20A	VERTICAL / 52"H	8 OUTLETS / 5-20R	STRAIGHT BLADE	5-20P	NO	1.6	48	1.149
RFM-62-PBV-20A-24	20A	VERTICAL / 62"H	24 OUTLETS / 5-20R	STRAIGHT BLADE	5-20P	NO	1.6	62	1.5
RFM-62-PBVT-20A-24	20A	VERTICAL / 62"H	24 OUTLETS / 5-20R	TWIST-LOCK	L5-20P	NO	1.6	62	1.5

Other models available upon request - Consult factory for additional options

## CURRENT MONITORING POWER BARS



Vertical model



Horizontal model

### Features:

- UL approved
- Current monitoring
- Available in Vertical and Horizontal models
- 15A and 20A available
- Standard colour is black

### Highlights:

- For twist-lock plug, add the suffix '-T' to part number e.g. FRM-BRC100-10-T

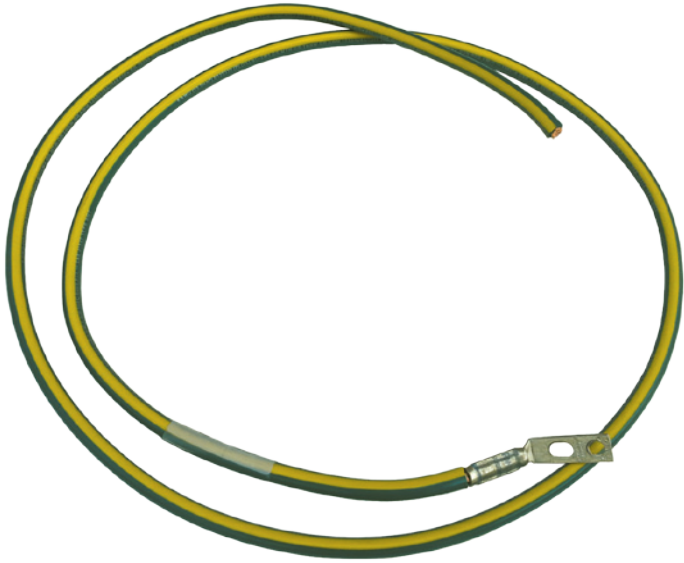
PART NUMBER	RATED	PART DESCRIPTION
		<i>HORIZONTAL CURRENT MONITORING POWER BAR, STANDARD COLOUR IS BLACK</i>
RFM-BRC100-10	15 AMP	19"EIA HORIZ., 10 OUTLETS, 10' CORD w/NEMA 5-15P 15A STRAIGHT BLADE PLUGS, 15A RECEPTACLES, ON/OFF SWITCH
RFM-BRC100-1020	20 AMP	19"EIA HORIZ., 10 OUTLETS, 10' CORD w/NEMA 5-20P 20A STRAIGHT BLADE PLUGS, 15A RECEPTACLES, ON/OFF SWITCH
RFM-BRC100-1025	20 AMP	19"EIA HORIZ., 10 OUTLETS, 10' CORD w/NEMA 5-20P 20A STRAIGHT BLADE PLUGS, 20A RECEPTACLES, ON/OFF SWITCH
		<i>VERTICAL CURRENT MONITORING POWER BAR, STANDARD COLOUR IS BLACK</i>
RFM-VRTBC200-10	15 AMP	66"H VERT., 20 OUTLETS, 10' CORD w/NEMA 5-15P 15A STRAIGHT BLADE PLUGS, 15A RECEPTACLES, ON/OFF SWITCH
RFM-VRTBC200-1020	20 AMP	66"H VERT., 20 OUTLETS, 10' CORD w/NEMA 5-20P 20A STRAIGHT BLADE PLUGS, 15A RECEPTACLES, ON/OFF SWITCH
RFM-VRTBC200-10210	20 AMP	66"H VERT., 20 OUTLETS, 10' CORD w/NEMA 5-20P 20A STRAIGHT BLADE PLUGS, 20A RECEPTACLES, ON/OFF SWITCH

Other models available upon request - Consult factory for additional options

## JUMPER KIT

PART NUMBER
-------------

RFM-JK-60
-----------



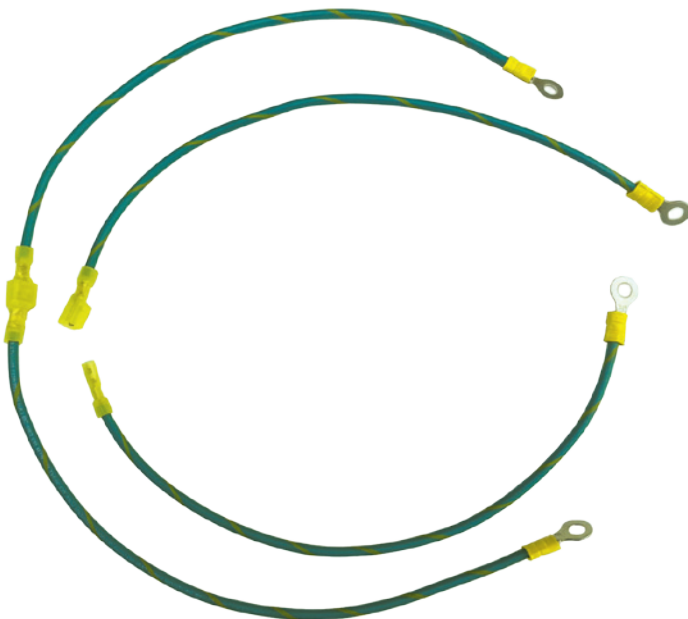
### Features:

- 6 AWG Wire
- 60" Cable Length (1.54 M)
- Crimped one end: 1/4" Lug Connector (45 Degree Angle, 2 Eye Holes)

## GROUNDING KIT

PART NUMBER
-------------

RFM-GRD-KIT
-------------



### Features:

- Kit c/w 2 Assemblies
- Each Assembly consists of:
  - 2 x 10 AWG Wire
  - 16" Cable Length (0.406 M) (each cable)
  - 2 x 1/4" Crimped Lug Connectors (1 Eye Hole)
  - 1 x M/F 250 Disconnect

## CABLE SPOOL

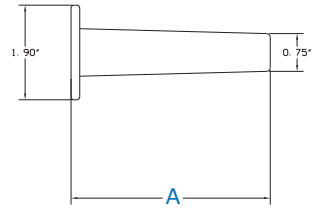


### Features:

- Round design maintains gentle bend radius
- Fits all rack style cable managers, vertical cable troughs, and RFM Series Cabinet or Four Post rack cross members
- Easy assembly can be attached inside or outside of cable manager
- ABS UL-VO rated

### Highlights:

- Supports slack cables
- Available in 1.5" or 4" length
- Convenient package of 10



PART NUMBER	A
RFM-CS	1.50
RFM-CS4	4.00

## D-RING

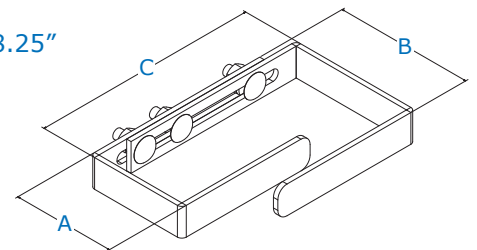


### Features:

- Attaches to vertical cable managers, cabinet cross members, or four post rack brackets
- Fits all rack style cable managers, vertical cable troughs, and RFM Series Cabinet or Four Post rack cross members
- Use with VCT for high density CMS
- Easy assembly can be attached inside or outside of cable manager
- Durable textured powder coated finish

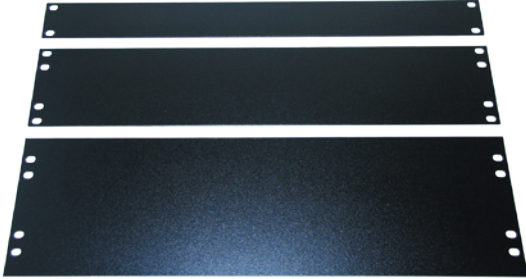
### Highlights:

- Adjustable width: 4.75" ~ 8.25"



PART NUMBER	A	B	C
RFM-DR-ADJ	2.50	3.375	4.75 ~ 8.25

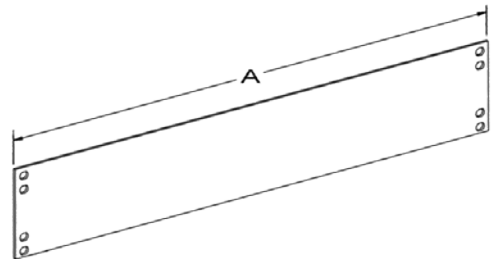
## BLANKING PLATES: STEEL



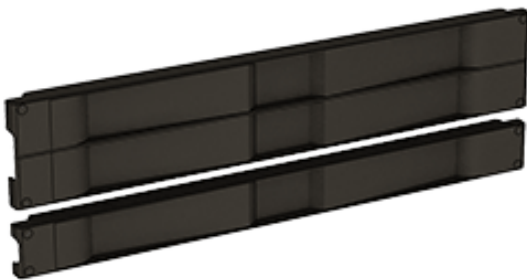
### Features:

- Heavy gauge steel
- Fill empty rack spaces to enhance cooling airflow and appearance
- Mounting available for 19" or 23" EIA rails
- Durable black textured powder coated finish
- 23" EIA mount available upon request
- Custom sizes available upon request

19" EIA mount		
PART NUMBER	A	# of U's
RFM-BP19-1U	19.00	1U
RFM-BP19-2U	19.00	2U
RFM-BP19-3U	19.00	3U
RFM-BP19-4U	19.00	4U
RFM-BP19-5U	19.00	5U
RFM-BP19-9U	19.00	9U



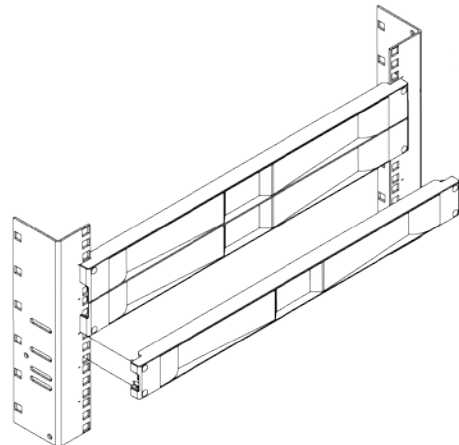
## TOOL-LESS BLANKING PLATES: COMPOSITE



### Features:

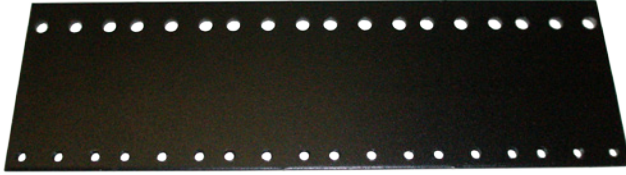
- Black composite material
- Fill empty rack spaces to enhance cooling airflow and appearance
- 1U and 2U available
- Easy, tool-less installation
- Used in tapped or square 19" EIA rails
- Supplied in contractor packs: qty 10

19" EIA mount		
PART NUMBER	QTY/PKG	# of U's
RFM-BPTL-19-1U	10	1U
RFM-BPTL-19-2U	10	2U





## REDUCER PLATES

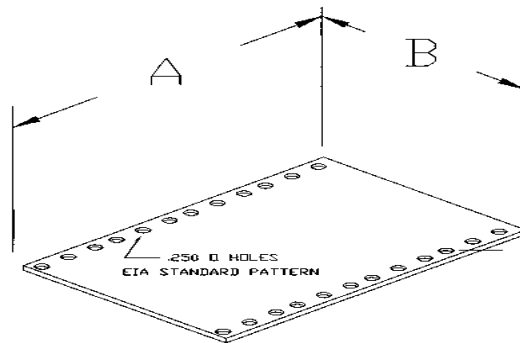


### Features:

- Heavy gauge steel
- Reduce rack widths to 19" EIA
- Tapped #10-32 EIA standard pattern
- Standard colour is black
- Custom sizes available upon request

23" EIA TO 19" EIA		
PART NUMBER	A	B
RFM-2319-1-RP	1U	2.50
RFM-2319-2-RP	2U	2.50
RFM-2319-4-RP	4U	2.50
RFM-2319-11-RP	11U	2.50

24" EIA TO 19" EIA		
PART NUMBER	A	B
RFM-2419-1-RP	1U	3.00
RFM-2419-2-RP	2U	3.00
RFM-2419-4-RP	4U	3.00
RFM-2419-11-RP	11U	3.00



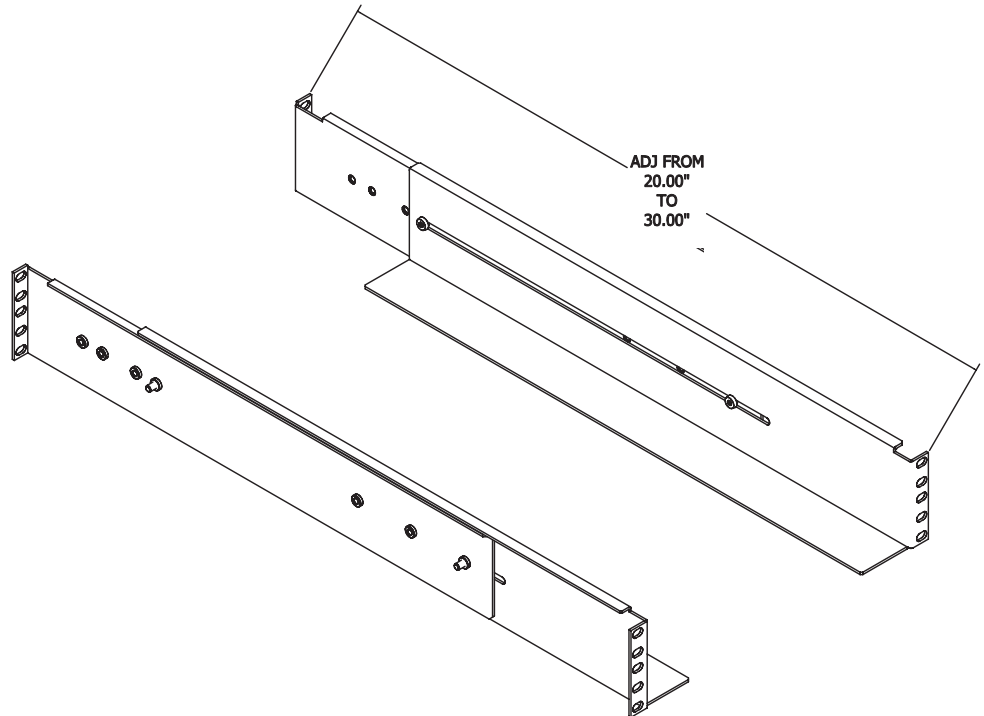
## SERVER SUPPORT BRACKETS



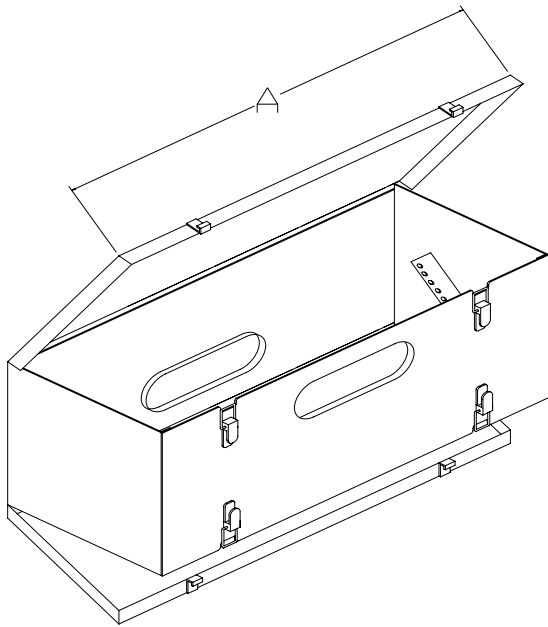
### Features:

- Heavy gauge steel
- Adjustable from 20" to 30"
- Sold in pairs
- Bolts to equipment rails
- Provides 4-point support for equipment
- Durable black textured powder coated finish

PART NUMBER	DEPTH (ADJ)	# of U's
RFM-UPS-4PKT-FLM	20" to 30"	2U



## CONSOLIDATION BOX

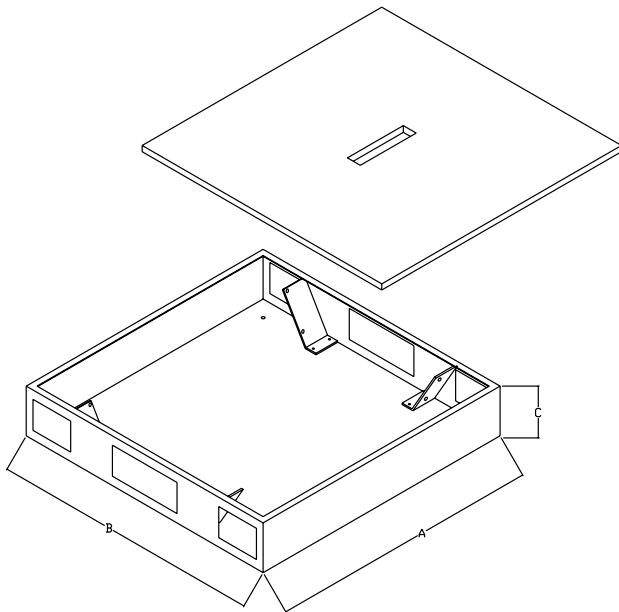


### Features:

- Heavy gauge steel
- Unit designed to house 48 port patch panel and up to 48 cat-6a cables through front and rear of box
- Large cable access holes c/w grommets
- Provisions for affixing to ceiling
- Dual hinged designed and sloped equipment mounting angles provide easy access from front or rear of patch panel
- Mounting angles support up to 3U of equipment space
- Durable black textured powder coated finish

PART NUMBER	A	B	C
RFM-820-CB	20.00	8.00	8.00

## CONSOLIDATION BOX



### Features:

- Heavy gauge steel
- Provisions to mount 2 x 3u patch panels
- Designed for under floor or ceiling mount
- Multiple cable access openings
- Lift off lid mechanically fastened
- Locking version available
- Durable black textured powder coated finish

PART NUMBER	A	B	C
RFM-2222-CB	22.00	22.00	4.00



## AIR FILTER - FOR 4" EXHAUST FAN



Features:

- Durable composite material
- Easy to install - attaches directly to 4" Fan\*
- Snap on 'top' for convenient filter maintenance or cleaning

\*note: 4" Fan must be ordered as a separate item (see page 2.1.1)

PART NUMBER	W	L	D
RFM-FAN-FILTERS	4.875	4.875	0.375

## AIR FILTER - FOR LOUVERED DOORS



Features:

- Heavy gauge steel
- Mounts directly to inside of RFM Louvered door\*
- Convenient filter access for maintenance or cleaning
- Filter included

\*note: Louvered door must be ordered as a separate item (see Page 1.3.2)

PART NUMBER	W	L	D
RFM-AF-30	6.625	23.625	1.00
RFM-AF-24	6.625	17.625	1.00

## PRODUCTS WE MANUFACTURE:

- *Cabinets and Racks*
- *Custom Metal Fabrication*
- *Work Benches*
- *Custom Consoles*
- *Outdoor Telco Products*
- *Broadcast Racks*
- *Solar Racking*

**R. F. MOTE**  
**214 Newkirk Road**  
**Richmond Hill, Ontario**  
**L4C 3G7**

**Phone:** 1-905-884-5250  
**Fax:** 1-905-737-5188  
**Internet:** <http://www.rfmote.com>  
**Email:** [info@rfmote.com](mailto:info@rfmote.com)