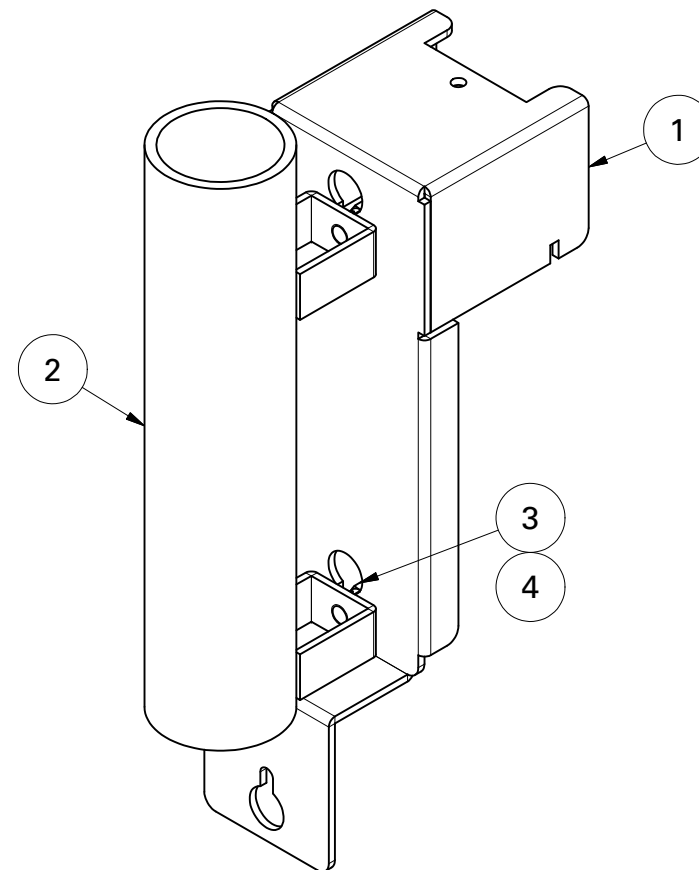
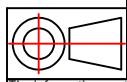


| PARTS LIST | | | | |
|------------|-----|---------------------------------|-----|------|
| ITEM | QTY | PART NUMBER | REV | CODE |
| 1 | 1 | RFM-BM-MCRB-6830-FMB-1 | 00 | |
| 2 | 1 | RFM-BM-MCRB-6830-FMB-2 | 00 | |
| 3 | 2 | 5/16 - 18 SERRATED FLANGE NUT | 00 | |
| 4 | 2 | 18.8 EXT TOOTH SEMS 1/4-20 x 12 | 00 | |



R.F. MOTE
 A division of Chatsworth Products

214 NEWKIRK RD.
 RICHMOND HILL, ONTARIO
 L4C 3G7
 PHONE (905) 884-5250
 FAX (905) 737-5188

| | | | |
|---|--|------------------------|------------------|
| TOLERANCES FRAC. ± 1/16" ANGLE ± 1.0° HOLES ± 0.003" 0.000 ± 0.015" | DESCRIPTION FRONT MOUNT BRACKETS FOR 6830 RADIO MOUNTING BRACKETS | | |
| | PART NUMBER RFM-BM-MCRB-6830-FMB | | |
|  The information contained herein is proprietary and confidential to R.F.MOTE LTD. It may not be reproduced or further disseminated, in whole or in part, without prior written consent from R.F.MOTE LTD. | DATE 09-Sep-24 | MASS 4.53 lb | REV 00 |
| | AUTHOR gillison i | SHEET 1 OF 1 | |