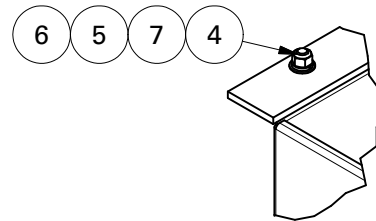
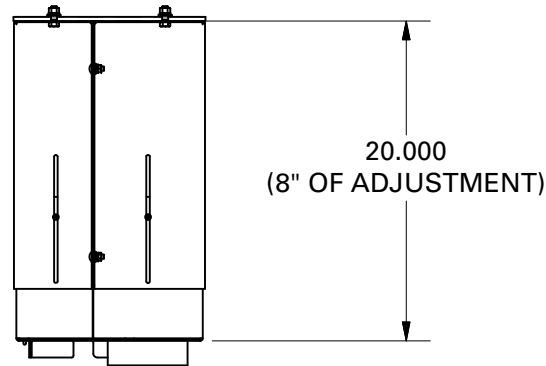
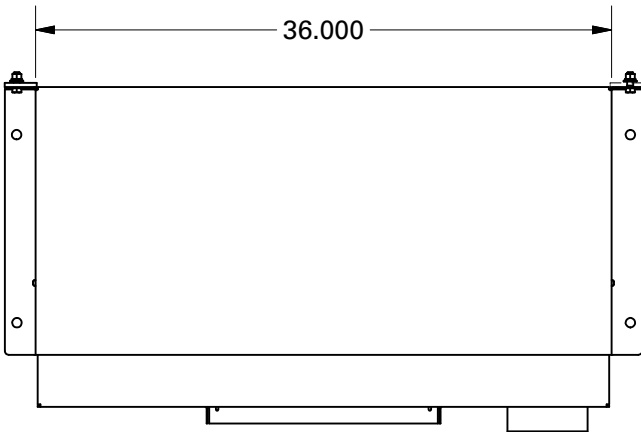
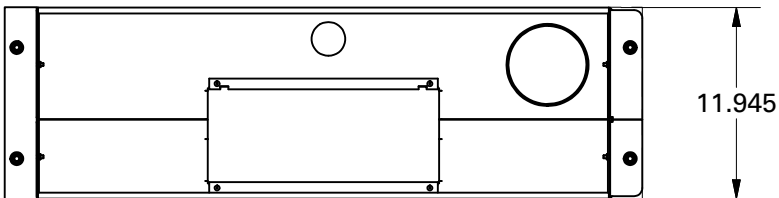
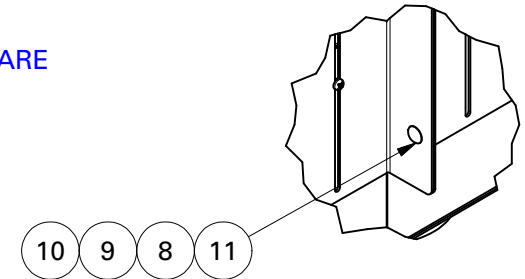
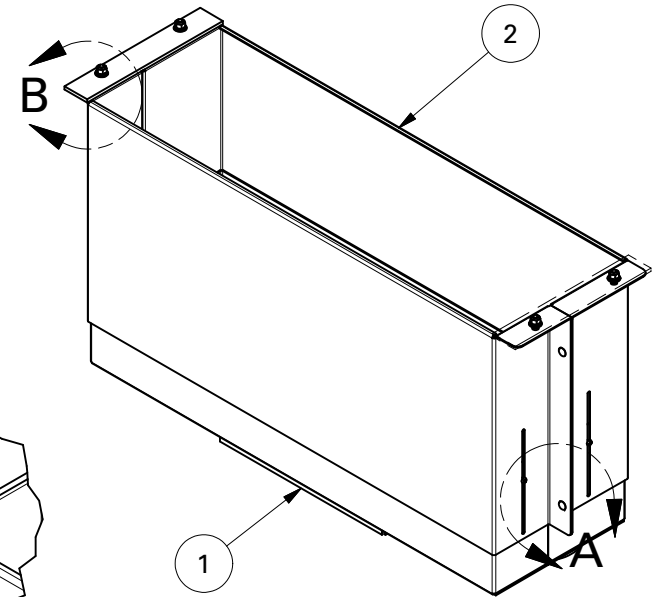


PARTS LIST			
ITEM	QTY	PART NUMBER	CODE
1	1	RFM-BMRRCT-ARS-DUCT-FRONT-ADJ	
2	1	RFM-BMRRCT-ARS-DUCT-BACK-ADJ	
3	1	RFM-ARS-TEFLON-GASKET	
4	4	3_8 x 1 NC HEXHEAD CS NYLON	CAR-058
5	4	3_8 ACETAL LOCK WASHER	3573A22
6	4	3_8 NYLON WASHER .375 ID x 1 OD x1_16 TH	CAR-060
7	4	3_8 NC HEX NUT ALL NYLON	CAR-059
8	4	1_4 ST.STL Flat Washer	ABS-020
9	4	1_4 ST.STL Lock Washer	ABS-021
10	4	1/4-20 St.Stl. Keps Nut	ABS-009
11	4	1/4-20 UNC x 3/4 SS Carriage Bolt	ABS-051



DETAIL B
MOUNTING HARDWARE

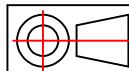


DETAIL A
ASSEMBLY HARDWARE

R.F. MOTE
A division of Chatsworth Products

214 NEWKIRK RD.
RICHMOND HILL, ONTARIO
L4C 3G7
PHONE (905) 884-5250
FAX (905) 737-5188

2 PART ASSEMBLY
PAINTED RAL 7035-TXT
(PRE-188)



The information contained herewithin is proprietary and confidential to R.F.MOTE LTD.
It may not be reproduced or further disseminated, in whole or in part, without prior written consent from R.F.MOTE LTD.

TOLERANCES	DESCRIPTION	PART NUMBER	DATE	MASS	REV
FRAC. ± 1/16" ANGLE ± 1.0° HOLES ± 0.003" 0.000 ± 0.015"	ADJUSTABLE CONDUIT COVER FOR ARS CABLING	RFM-BMRRCT-ARS-DUCT-ADJ	12-May-23	23.55 lb	00
			AUTHOR gillison_j		