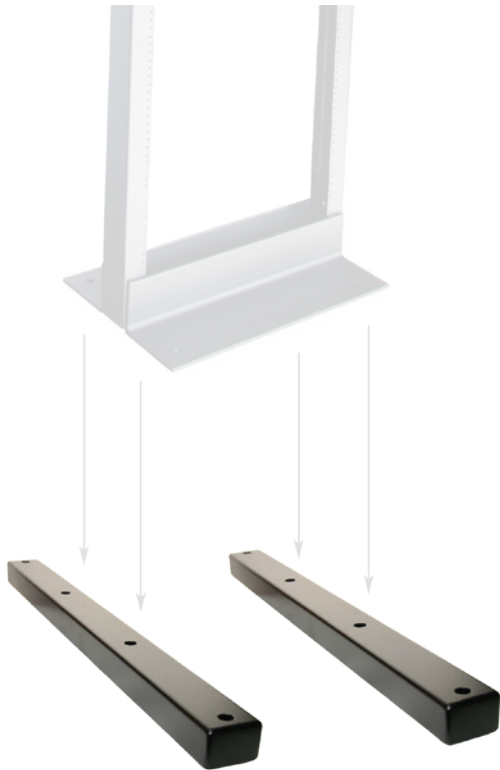


## HEAVY DUTY RACK KIT

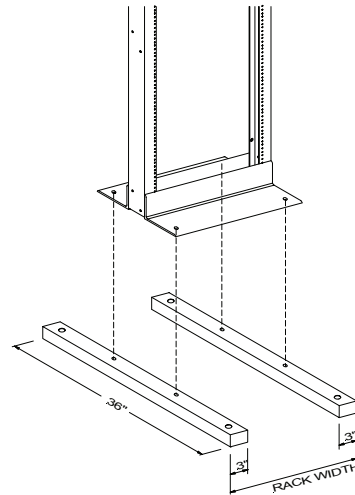


### Features:

- Increase rack footprint for added stability when rack is not bolted to floor, or is on casters
- Heavy gauge steel frame
- Bolt-on stabilizing bars
- Adjustable feet
- Fits all R.F.Mote racks
- Durable black textured powder Coated finish

### Highlights:

- Caster sets available
- Large footprint for stability



PART NUMBER	A	B
RFM-RHD-KIT	36.00	3.00

For two post racks, see page 4.1.1