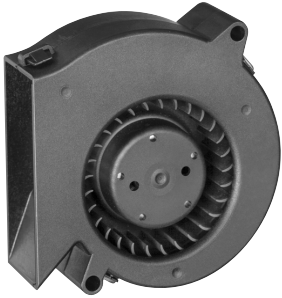


RL 48-19/14

# DC centrifugal compact fan

single inlet



## ebm-papst St. Georgen GmbH & Co. KG

Hermann-Papst-Straße 1

D-78112 St. Georgen

Phone +49 7724 81-0

Fax +49 7724 81-1309

info2@de.ebmpapst.com

www.ebmpapst.com

## Nominal data

| Type                     | RL 48-19/14       |            |
|--------------------------|-------------------|------------|
| Nominal voltage          | VDC               | 24         |
| Nominal voltage range    | VDC               | 18 .. 26.4 |
| Speed                    | min <sup>-1</sup> | 4400       |
| Power input              | W                 | 5.0        |
| Min. ambient temperature | °C                | -20        |
| Max. ambient temperature | °C                | 70         |
| Air flow                 | m <sup>3</sup> /h | 28         |
| Sound power level        | B                 | 5.7        |

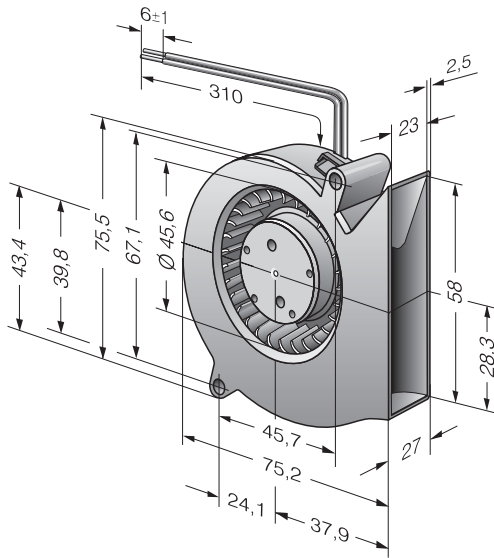
ml = max. load · me = max. efficiency · rfa = running at free air · cs = customer specs · cu = customer unit  
Subject to alterations



## Technical features

|  |  |
|--|--|
| <b>Dimensions</b>                          | 76 x 76 x 27 mm  |
| <b>General description</b>                 | <p>Particular design features:</p> <p>Pressure-optimised blower.</p> <p>Noise-optimised air outlet in the scroll housing.</p> <p>Forward-curved impeller.</p> <p>General features:</p> <p>Scroll housing and impeller made of fibreglass-reinforced plastic.</p> <p>Electronic commutation completely integrated.</p> <p>Protected against reverse polarity and locking.</p> <p>Direction of air flow: axial air intake, centrifugal air exhaust out of the outlet.</p> <p>Connection via single strands AWG 26, TR 64, bared and tin-plated.</p> <p>Mass: 75 g.</p> |
| <b>Connection line</b>                     | Single strands AWG 26, TR 64, bared and tin-plated.  |
| <b>Locked-rotor protection</b>             | Electronic blocking protection   |
| <b>Direction of air flow</b>               | Axial air intake, centrifugal air exhaust out of the outlet.   |
| <b>Bearing</b>                             | Ball bearings  |
| <b>Lifetime L10 at 40 °C</b>               | 60000 h  |
| <b>Lifetime L10 at maximum temperature</b> | 30000 h  |
| <b>Mass</b>                                | 0.075 kg   |
| <b>Housing material</b>                    | Scroll housing of fibreglass-reinforced plastic.   |
| <b>Material of impeller</b>                | Fibreglass-reinforced plastic  |
| <b>Motor protection</b>                    | Protected against reverse polarity and locking.  |
| <b>Approval</b>                            | VDE, CSA, UL, CE   |

## Product drawing



Charts: Air flow

