


**Middle Atlantic Products**

EXCEPTIONAL SUPPORT &amp; PROTECTION™

# RM-LCD Series LCD Rackmount


**EIA/TIA Compliant**

**LCD Rackmount available in three styles  
to mount monitors up to 32"**

## Features

- Mounts monitors with VESA 75 and VESA 100 patterns
- Adjustable depth allows for recessing of monitor
- Models with a flat plate, tilt and telescoping arm available
- Models with flat plate and knuckle mount most monitors up to 20", depending on overall size
- Model with telescoping arm mounts monitors up to 32"



RM-LCD-MV



RM-LCD-MK



RM-LCD-MT



RM-LCD-PNLV



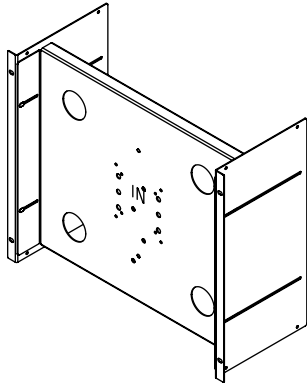
RM-LCD-PNLK

## Architects and Engineers' Specifications

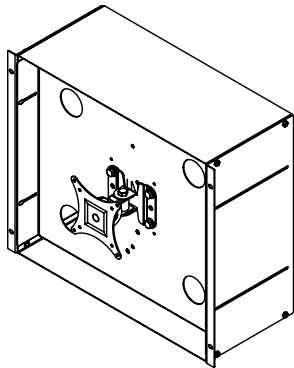
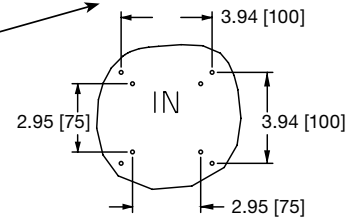
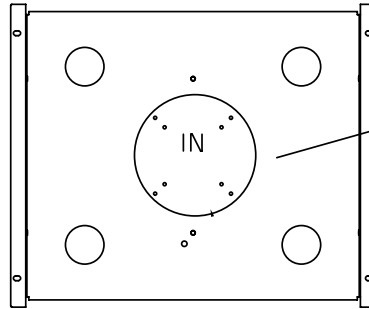
EIA Compliant 19" LCD Rackmount shall be Middle Atlantic Products model # RM-LCD-(MV and PNLV for flat plate, MK and PNLK for tilt, MT for Telescoping arm). RM-LCD shall accept monitors with a VESA 75 or 100 mounting pattern. RM-LCD shall have a weight capacity of 35 lbs. for MV, MK and MT models and 27 lbs. for PNLV and PNLK models. RM-LCD shall have a durable black powder coat finish. RM-LCD shall be constructed from 16-gauge steel. RM-LCD shall recess from 2" to 9" from the face of the rackrail. RM-LCD-MK and RM-LCD-PNLK shall tilt 160°. RM-LCD-MT shall have an arm with a range of 2.5" to 16.5". RM-LCD-(MV, MT, PNLV, PNLK) shall accept monitors of up to 20", with an overall width of no more than 17.38". RM-LCD-MK shall accept monitors of up to 32". RM-LCD shall comply with the requirements of RoHS EU Directive 2002/95/EC. RM-LCD shall be manufactured by an ISO 9001 and ISO 14001 registered company. RM-LCD shall be warranted to be free from defects in material and workmanship under normal use and conditions for the lifetime of the product.

**CUSTOMIZABLE SPECIFICATION CLIPS AVAILABLE AT MIDDLEATLANTIC.COM**

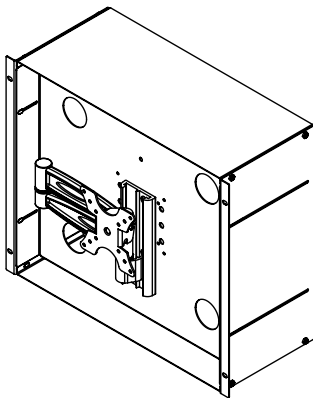
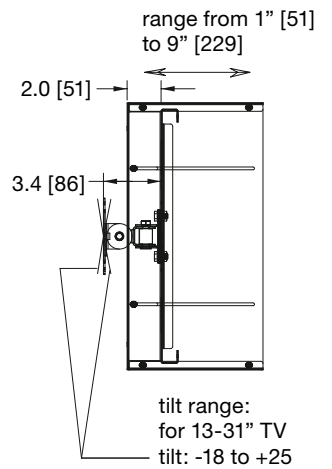
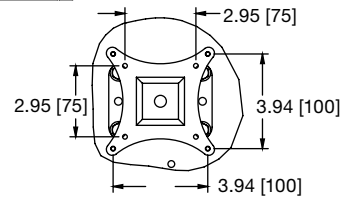
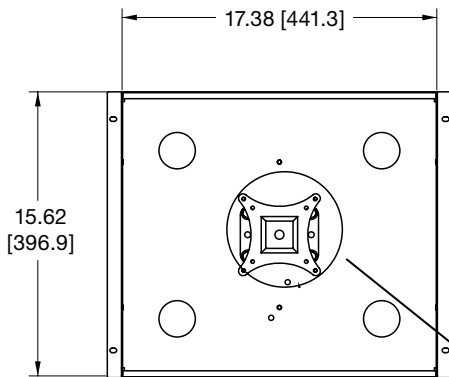
# RM-LCD Series LCD Rackmount dimensions



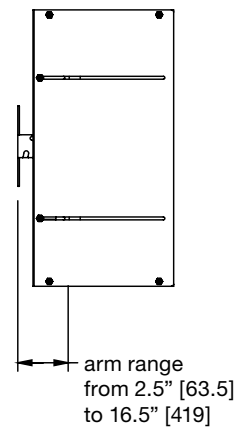
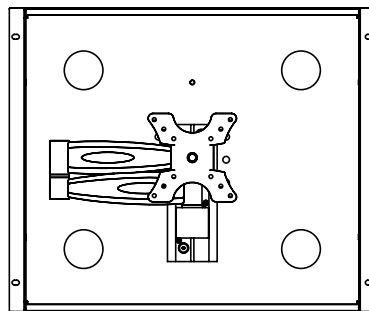
**RM-LCD-MV**



**RM-LCD-MK**



**RM-LCD-MT**

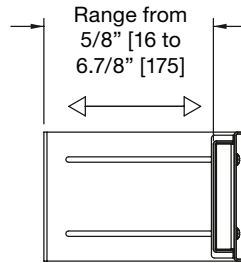
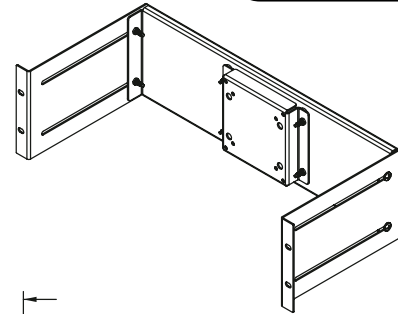
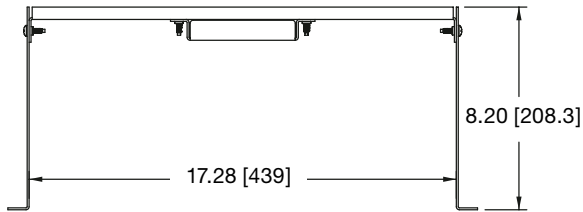


All dimensions in inches unless otherwise noted [All dimensions in brackets are in millimeters]

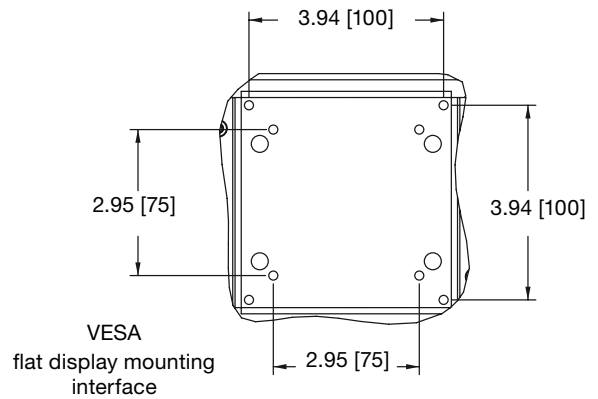
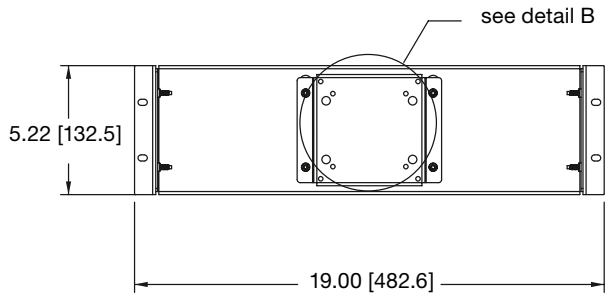
# RM-LCD-PNLV dimensions



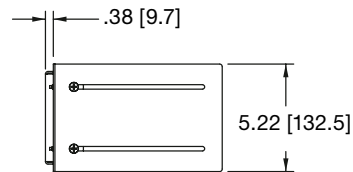
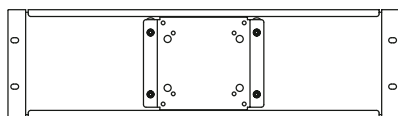
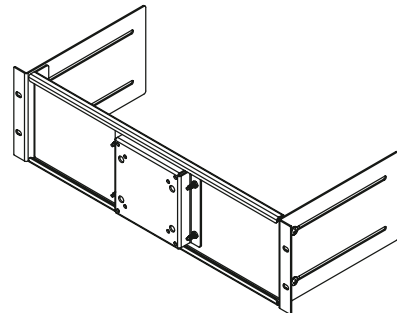
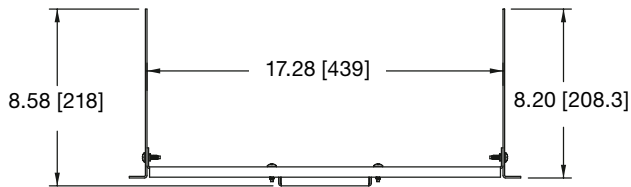
All dimensions in inches unless otherwise noted [All dimensions in brackets are in millimeters]



SECTION B



## REVERSED MOUNTING PAD

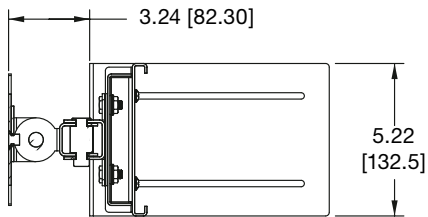
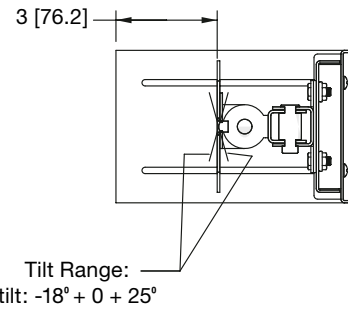
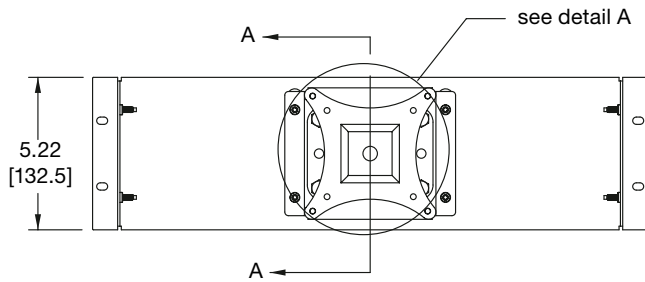
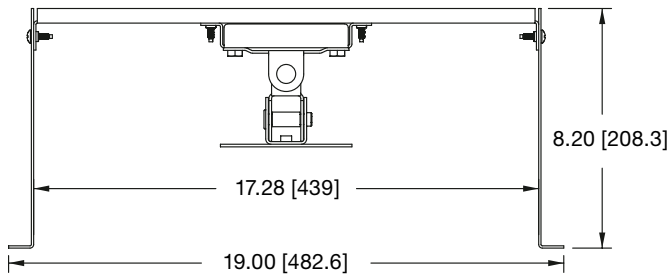
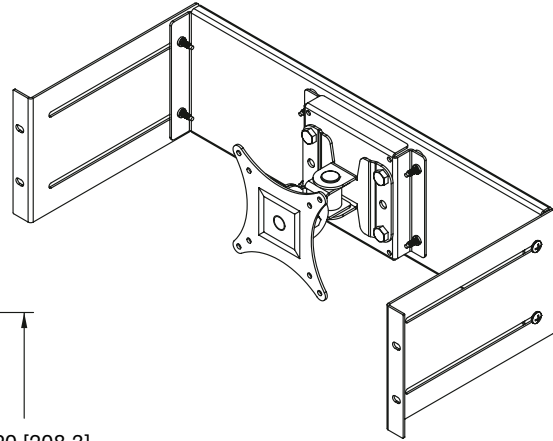


reversed mount allows monitor to protrude .38

# RM-LCD-PNLK dimensions



All dimensions in inches unless otherwise noted [All dimensions in brackets are in millimeters]



SECTION A-A

