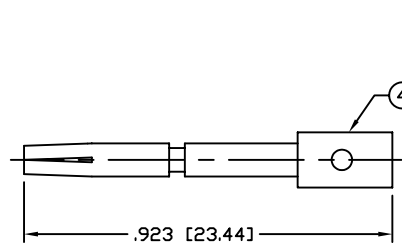
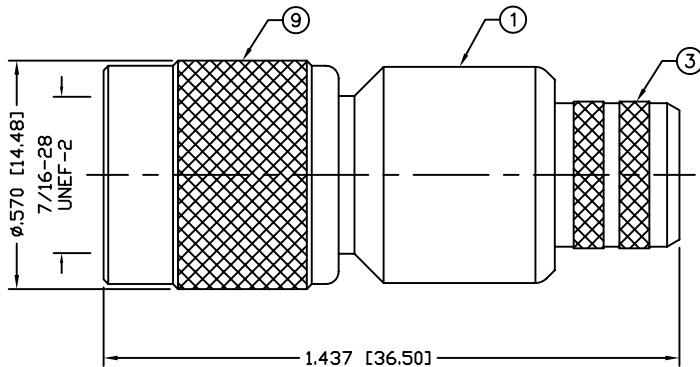


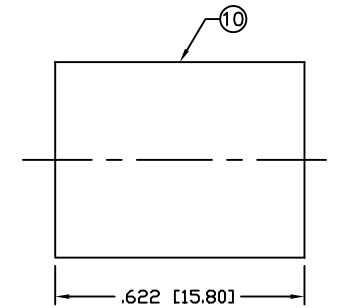
THIS DRAWING CONTAINS INFORMATION PROPRIETARY TO RF INDUSTRIES,  
 ANY UNAUTHORIZED USE OF THIS DRAWING IS EXPRESSLY PROHIBITED  
 WITHOUT WRITTEN PERMISSION FROM RF INDUSTRIES.  
 ANY VIOLATION IS PUNISHABLE UNDER U.S. COPYRIGHT LAWS.

ALL DIMENSIONS ARE REFERENCE ONLY

PART NO.		<b>RP-1202-1</b>		
REV	DESCRIPTION	DWN	DATE	APPROVED
-	ENGINEERING RELEASE	CZS	11/4/99	JDMc
A	ADDED SOLDER ONLY NOTE	CZS	09/24/07	JDMc



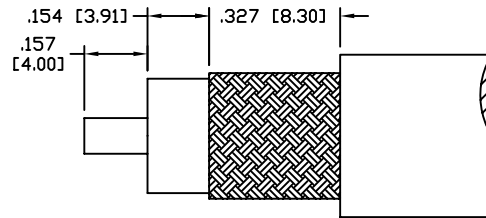
RECOMMENDED CRIMP DIE: .118" OR .128"  
 SOLDER ONLY IF USING "E" GROUP CABLE



RECOMMENDED CRIMP DIE: .429"

**SPECIFICATIONS:**

IMPEDANCE: 50 Ohms  
 FREQUENCY RANGE: 0-7 GHz  
 WORKING VOLTAGE: 500 V rms @ sea level  
 INSULATION RESISTANCE: 5k M ohms min.  
 TEMPERATURE RANGE: -65°C TO +85°C  
 FOR BELDEN 8214, 9913, 9913F, 9914, CAROL C1180,  
 TIMES AA-5886 & LMR-400 CABLE



RECOMMENDED STRIPPING DIMENSIONS

1	BODY	1	BRASS	NICKEL, 100 $\mu$ "	008974	
2	INSULATOR	1	PTFE	---		
3	FERRULE STUD	1	BRASS	NICKEL, 100 $\mu$ "		
4	CONTACT	1	PHOS BRONZE	GOLD, 3 $\mu$ "		
5	RETAINING RING	1	BRASS	NICKEL, 100 $\mu$ "		
6	RING	1	DELRIN	---		
7	GASKET	1	RUBBER	---		
8	WASHER	1	BRASS	NICKEL, 100 $\mu$ "		
9	SHELL	1	BRASS	NICKEL, 100 $\mu$ "		
10	FERRULE	1	COPPER	NICKEL, 100 $\mu$ "		
11					DRAWN	
12					C. ZUNIGA	09/24/07
13					CHECKED	
14					ORJ DRAWN	12/28/00
#	DESCRIPTION	QTY	MATRL	FINISH	APPROVALS	DATE

UNLESS OTHERWISE SPECIFIED:  
 1. REMOVE ALL BURRS  
 2. BREAK ALL CORNERS & EDGES .005 R. MAX.  
 3. CHAMFER 1ST & LAST THREADS 45°  
 4. SURFACE ROUGHNESS 63 FINISH MIL-STD-10  
 5. DIAMETERS ON COMMON CENTERS TO BE CONCENTRIC WITHIN .002 T.I.R.  
 6. ALL DIMENSIONS ARE AFTER PLATING.

DIMENSIONS ARE IN INCHES AND [MILLIMETERS]  
 UNLESS OTHERWISE NOTED TOLERANCES ARE:

DECIMALS	DIAMETER
.xxx±.003 [.08]	.xxx±.001 [.03]
.xx±.005 [.13]	.xx±.003 [.08]

**RF connectors**  
 DIVISION OF RF INDUSTRIES, LTD.

7610 MIRAMAR RD  
 SAN DIEGO, CA 92126  
 (858) 549-6340  
 (858) 549-6345 FAX

**TNC PLUG**  
 REVERSE POLARITY, CRIMP

SIZE	CABLE GROUP	DWG NO.	REV
A	I	RP-1202-1	A
SCALE:	NTS	CAD FILE	OUTLINE
		SHEET 1 OF 1	